

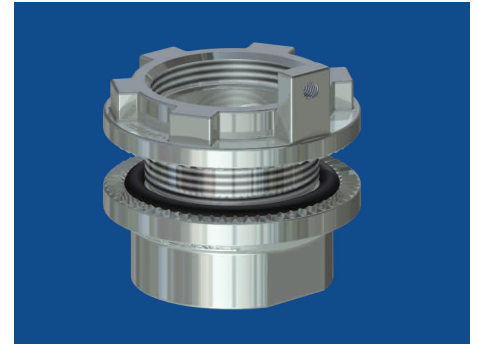
Calbrite™

Stainless Steel Conduit Systems

Stainless Steel Grounding Line Terminator / Hub

Features:

- Manufactured in type 316 stainless steel to meet any stringent sanitary condition
- Polished with standard "brite" finish to increase corrosion resistance and aesthetic appearance
- Designed for use with stainless threaded conduit
- O-ring manufactured from "Buna-N", and has excellent chemical resistance.
- Includes a type 316 stainless steel grounding locknut for a secure installation
- No package qty. required



Certifications and Compliances:

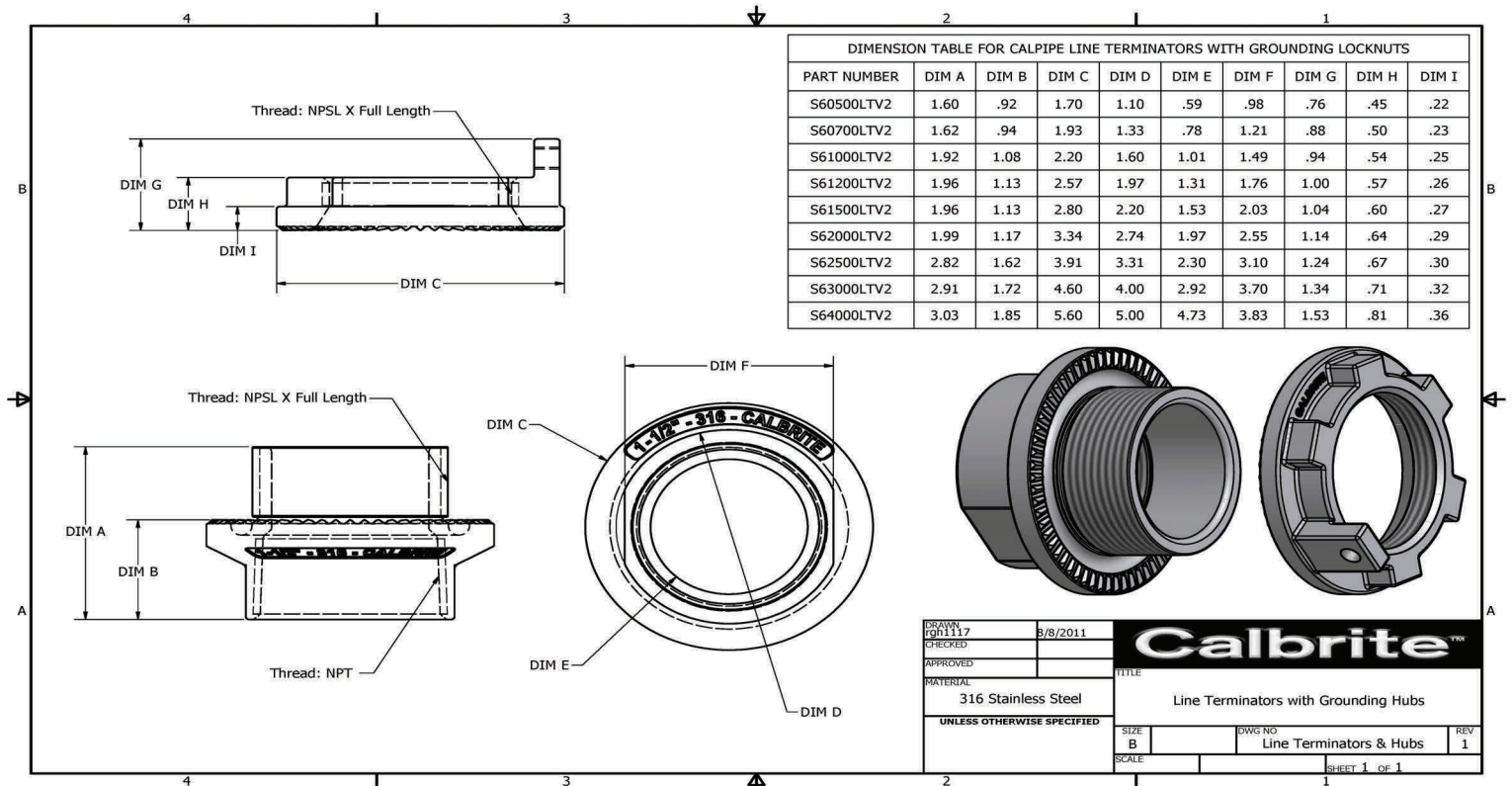
Manufactured to UL514B / NEMA standards, & NEC code compliance.
Manufactured in the United States.

Applications:

To connect threaded stainless conduit to a threadless opening in a box or enclosure in an outdoor or indoor location. To positively bond conduit to a box or enclosure.

Industries Commonly Served:

- Food & Beverage Production & Distribution
- Chemical Plants
- Water & Wastewater Treatment
- Pharmaceuticals & Cosmetics
- Refining & Extraction Sites
- Petrochemical
- Along with other corrosive environments



All dimensions are for informational purposes only *Tolerances +/- .5%