

Dialight

.....

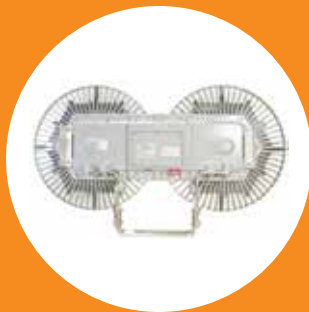


DuroSite® LED Floodlight - UL / CSA
for Indoor and Outdoor Industrial Applications



On when it matters most.

Products and solutions that protect your business





Features & Benefits

- 10 year full performance warranty
- L70 rated for >100,000 hours @ 25°C ambient
- DLC listed
- Instant on/off operation
- Universal input (100-277V AC, 50/60Hz or 347-480V AC, 60Hz)
- Superior color rendition index compared to HPS, LPS, MV
- Resistant to shock and vibration
- Isolated wiring compartment
- Integral safety straps
- Temperature compensation technology for longer life

Application

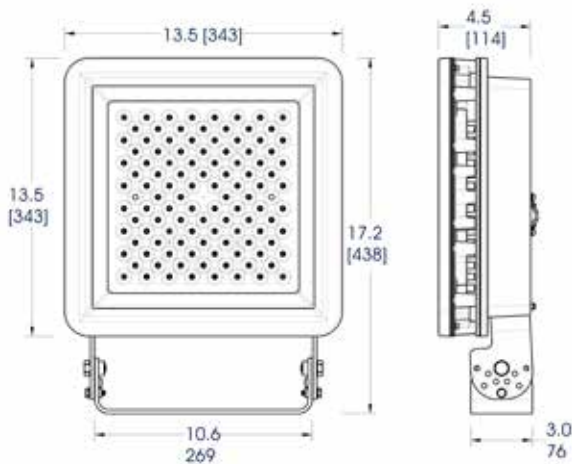
The DuroSite® LED Floodlight represents the future of energy efficient facility illumination for industrial applications worldwide. The lighting fixture consumes at least 50% less energy than traditional HID light sources, while reducing maintenance and carbon emissions. This light incorporates both cutting edge LED technology along with proprietary optics to achieve flood lighting comparable with other traditional light sources.

DuroSite LED Floodlight - UL / CSA

Standard Models

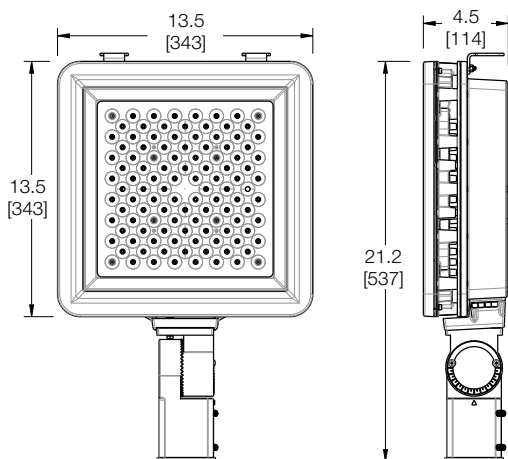


100 - 277V AC Model



Dimensions in inches [mm]
For 347-480V AC models, please consult factory

Slip Fit Adapter



Dimensions in inches [mm]

Certifications & Ratings

- UL 1598/A
- CSA 22.2 NO. 250
- NEMA 4X
- IP66/67
- IK07 (Glass) / IK10 (Polycarbonate)
- ABS # 14-HS1209388-PDA

Mechanical Information:

Fixture weight:	
100-277V AC:	27 lbs (12 kg)
347-480V AC:	30 lbs (14kg) (15,000-13,500lm models) 30 lbs (14 kg)
Shipping weight:	
100-277V AC:	31 lbs (14 kg)
347-480V AC:	34 lbs (16kg) (15,000-13,500lm models) 34 lbs (16 kg)
EPA (Sq.ft):	0.55
Mounting:	304 Stainless steel trunnion mounting bracket included as standard Optional slip fit adapter
Entries:	(2) 3/4" NPT cable entries

Electrical Specifications:

Operating voltage:	100 - 277V AC, 50/60Hz 347-480V AC, 60Hz
Power consumption:	See table
Operating temp:	-40°F to +149°F (-40°C to +65°C)
Noise requirement /EMC:	EN 55015 - conducted and radiated FCC Title 47, Subpart B, Section 15, Class A device. RF Immunity; 10V/m, 80MHz-1GHz
Surge protection:	Verified up to 6kV/20ohms at an independent test laboratory protection devices capable of 20kV
THD:	< 20%
Power factor:	> 0.9

Construction:

Housing:	Copper free aluminum
Finish:	Superior dual coat finish - Sealed polyester topcoat - Chemical resistant epoxy primer
Lens:	Tempered glass Polycarbonate

Photometric Information:

CRI:	75 80 CRI models available
CCT:	5000K (cool white)
NEMA Patterns:	7x6 - Asymmetrical (140° x 115°) 6x7 - Asymmetrical (115° x 140°) 6 - Very wide (115°) 5 - Wide (93°) 4 - Medium (52°) 2 - Narrow (23°)

IES files: Available at www.dialight.com

All values typical unless otherwise stated
Lumen values are typical (tolerance +/- 10%)

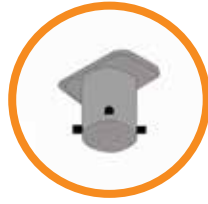
DuroSite LED Floodlight - UL / CSA

Mounting Accessories and Light Distribution Patterns



HZXSAFECBLS

- Safety cable kit
- Kit includes: (2) Safety cables



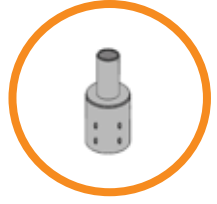
FLX-1TPT-20DB¹

- Tenon pole topper, 2-3/8" mount
- Kit includes: Tenon topper, pole set screws, and mounting hardware



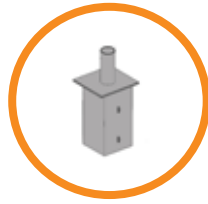
FLX-1RAB-20DB

- Right angle mounting bracket for 2-3/8" light mount
- Kit includes: Right angle bracket



FLX-3RPA-20DB FLX-4RPA-20DB

- Reducer for 3" or 4" OD round pole top to 2-3/8" light mount
- Kit includes: Reducer pole set screws



FLX-4SPA-20DB FLX-5SPA-20DB FLX-6SPA-20DB

- Internal tenon adapter for 4", 5" or 6" square pole top to 2-3/8" light mount
- Kit includes: Adapter



FLX-2LBH-20DB

- Bull horn for 2 lights, 2-3/8" mount, 21" spacing
- Kit includes: Bull horn, pole set screws



FLX-3LBH-20DB

- Bull horn for 3 lights, 2-3/8" mount, 21" spacing
- Kit includes: Bull horn, pole set screws



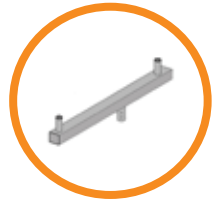
FLX-4LBH-20DB

- Bull horn for 4 lights, 2-3/8" mount, 21" spacing
- Kit includes: Bull horn, pole set screws



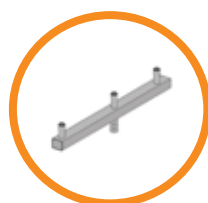
FLX-4RBH-20DB

- Bull horn for 4 lights, 2-3/8" mount, 21" spacing
- Kit includes: Bull horn, pole set screws



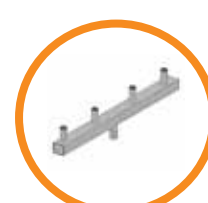
FLX-2RSR-20DB

- Bull horn for 2 lights, 2-3/8" mount, 21" spacing
- Kit includes: Bull horn, pole set screws



FLX-3RSR-20DB

- Bull horn for 3 lights, 2-3/8" mount, 21" spacing
- Kit includes: Bull horn, pole set screws

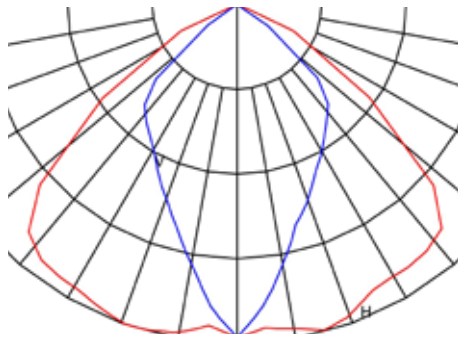


FLX-4RSR-20DB

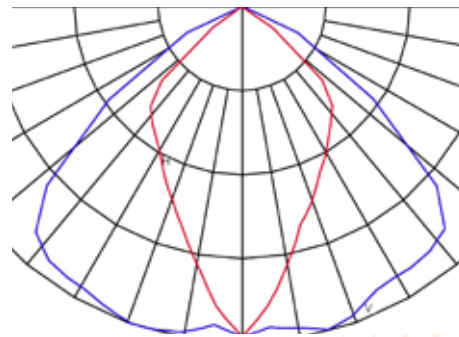
- Bull horn for 4 lights, 2-3/8" mount, 21" spacing
- Kit includes: Bull horn, pole set screws

¹Brackets and adapters require the tenon pole topper (FLX-1TPT-20DB) to mount floodlight. Tenon pole topper sold separately.

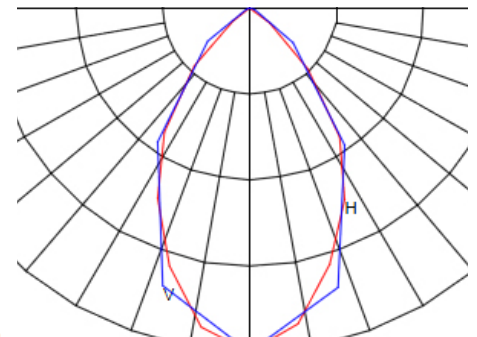
Light Distribution Patterns



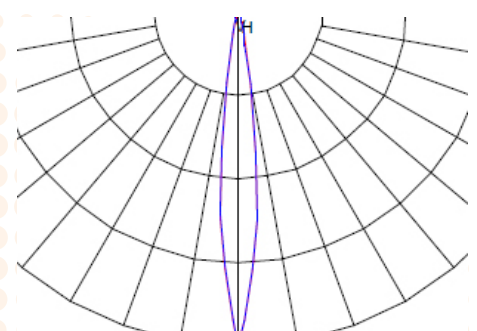
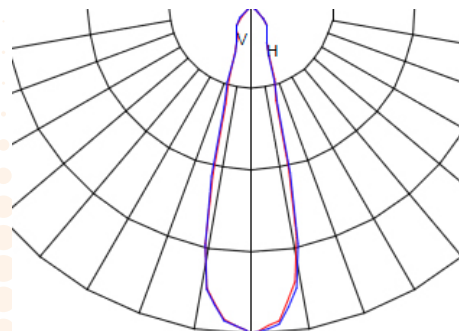
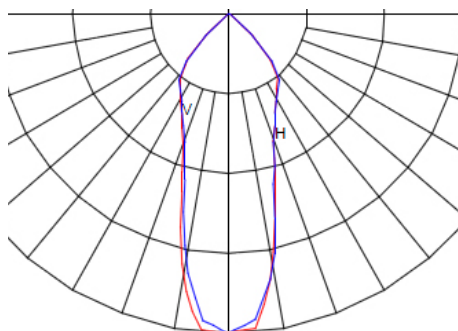
Field angle = 140° x 115°



Field angle = 115° x 140°



Field angle = 115°



DuroSite LED Floodlight - UL / CSA

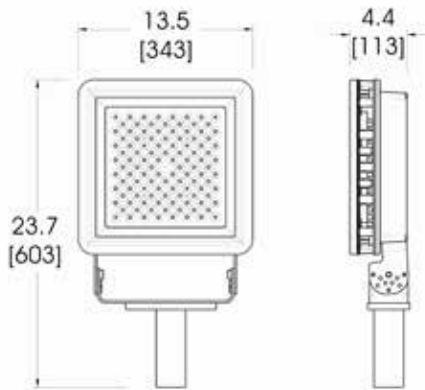
Mounting Options



Bracket has locking positions at 0°, (±) 22.5°, (±) 45°, (±) 67.5°, and 90°

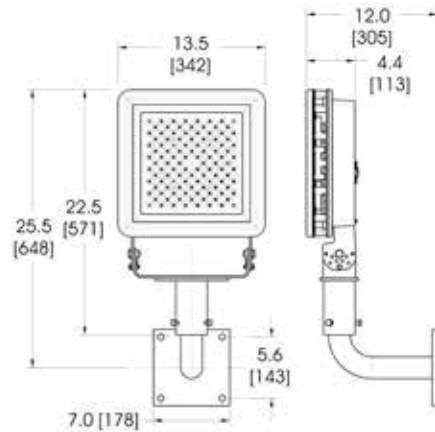
Mount to 2" round poles (2 - 3/8" OD) (UL 1598 Only)
Bracket has locking positions from 0° - 180°, in 5° increments
Gasketed wiring compartment

FLX-1TPT-20DB



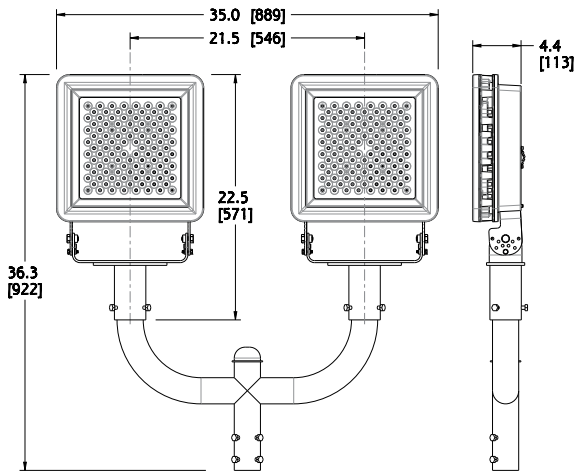
(Fixture sold separately 100-277V AC models shown above. For 347-480V AC models, please consult factory.)

FLX-1RAB-20DB



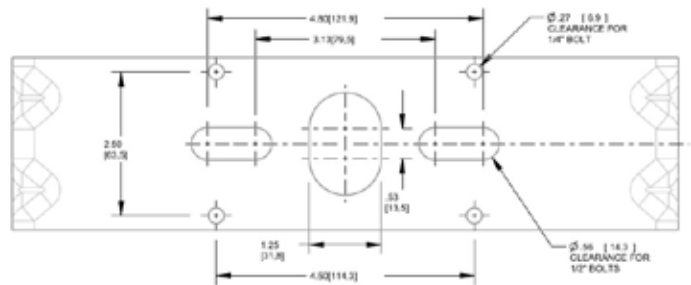
(Fixture sold separately 100-277V AC models shown above. For 347-480V AC models, please consult factory.)

FLX-2LBH-20DB



(Fixture sold separately 100-277V AC models shown above. For 347-480V AC models, please consult factory.)

Factory Installed Mounting Bracket



(100-277V AC models shown above. For 347-480V AC models, please consult factory.)

DuroSite LED Floodlight - UL / CSA

Ordering Information and Light Distribution Pattern

Part Number	Fixture Lumens	Wattage	Lumens Per Watt	Voltage	Color	Light Distribution
100 - 277V AC Models - Glass Lens						
FLW466NC4NG	15,000	130	115	100 - 277V AC	5000K (cool white)	NEMA 6, field angle 115°
FLW476NC4NG	14,750	130	113	100 - 277V AC	5000K (cool white)	NEMA 7x6, field angle 140° x 115°
FLW467NC4NG	14,750	130	113	100 - 277V AC	5000K (cool white)	NEMA 6x7, field angle 115° x 140°
FLW455NC4NG	14,500	140	104	100 - 277V AC	5000K (cool white)	NEMA 5, field angle 93°
FLW444NC4NG	14,500	140	104	100 - 277V AC	5000K (cool white)	NEMA 4, field angle 52°
FLW422NC4NG	13,500	140	96	100 - 277V AC	5000K (cool white)	NEMA 2, field angle 23°
FLW276NC2NG	11,500	109	105	100 - 277V AC	5000K (cool white)	NEMA 6, field angle 115°
FLW267NC2NG	11,500	109	105	100 - 277V AC	5000K (cool white)	NEMA 7x6, field angle 140° x 115°
FLW266NC2NG	11,250	109	103	100 - 277V AC	5000K (cool white)	NEMA 6x7, field angle 115° x 140°
FLW255NC2NG	11,000	109	101	100 - 277V AC	5000K (cool white)	NEMA 5, field angle 93°
FLW244NC2NG	10,500	109	96	100 - 277V AC	5000K (cool white)	NEMA 4, field angle 52°
FLW222NC2NG	10,750	109	96	100 - 277V AC	5000K (cool white)	NEMA 2, field angle 23°
100 - 277V AC Models - Polycarbonate Lens						
FLW466NC4NP	14,000	130	107	100 - 277V AC	5000K (cool white)	NEMA 6, field angle 115°
FLW476NC4NP	13,750	130	105	100 - 277V AC	5000K (cool white)	NEMA 7x6, field angle 140° x 115°
FLW467NC4NP	13,750	130	105	100 - 277V AC	5000K (cool white)	NEMA 6x7, field angle 115° x 140°
FLW455NC4NP	13,500	140	96	100 - 277V AC	5000K (cool white)	NEMA 5, field angle 93°
FLW444NC4NP	13,500	140	96	100 - 277V AC	5000K (cool white)	NEMA 4, field angle 52°
FLW422NC4NP	12,500	140	89	100 - 277V AC	5000K (cool white)	NEMA 2, field angle 23°
FLW276NC2NP	10,500	109	96	100 - 277V AC	5000K (cool white)	NEMA 6, field angle 115°
FLW267NC2NP	10,500	109	96	100 - 277V AC	5000K (cool white)	NEMA 7x6, field angle 140° x 115°
FLW266NC2NP	10,250	109	94	100 - 277V AC	5000K (cool white)	NEMA 6x7, field angle 115° x 140°
FLW255NC2NP	10,000	109	92	100 - 277V AC	5000K (cool white)	NEMA 5, field angle 93°
FLW244NC2NP	9,500	109	87	100 - 277V AC	5000K (cool white)	NEMA 4, field angle 52°
FLW222NC2NP	9,750	109	89	100 - 277V AC	5000K (cool white)	NEMA 2, field angle 23°
347 - 480V AC Models - Glass Lens Only						
FLW276NC5NG	11,750	112	105	347 - 480V AC	5000K (cool white)	NEMA 7x6, field angle 140° x 115°
FLW266NC5NG	11,250	112	100	347 - 480V AC	5000K (cool white)	NEMA 6, field angle 115°
FLW255NC5NG	10,000	112	89	347 - 480V AC	5000K (cool white)	NEMA 5, field angle 93°
FLW244NC5NG	10,000	112	89	347 - 480V AC	5000K (cool white)	NEMA 4, field angle 52°
FLW222NC5NG	10,000	112	89	347 - 480V AC	5000K (cool white)	NEMA 2, field angle 23°

All values typical unless otherwise stated, Lumen values are typical (tolerance +/- 10%).

To order floodlight with slip fit adapter, please replace the 7th character with an **S**. Ex: FLW244**NC**2NG becomes FLW244**SC**2NG

Part numbers listed in the table above are powder coated gray. For bronze powder, coat replace the 10th character with **Z**. FLW244**NC**2**NG** becomes FLW244**NC**2**ZG**

