

Dialight



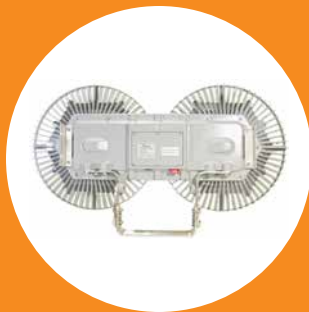
DuroSite[®] LED High Bay - UL / CSA

for Indoor and Outdoor Industrial Applications



On when it matters most.

Products and solutions that protect your business





Features & Benefits

- 10 year full performance warranty available on specific models
- 5 year full performance warranty standard
- L70 rated for >100,000 hours @ 25°C
- Instant on/off
- No UV or IR
- Produces minimal heat compared to traditional fixtures
- Resistant to shock and vibration
- Temperature compensation technology for long life

Application

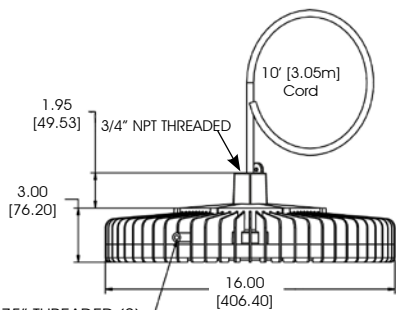
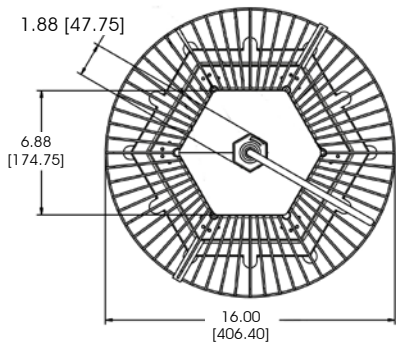
Dialight's DuroSite® LED High Bay fixture was designed specifically to replace conventional lighting in a wide variety of industrial applications; both indoor and outdoor. Its low profile light weight design and versatile mounting options make it ideal for many applications such as warehouse, garage, aisle, cold storage, bridge, tunnel and general area lighting.

DuroSite LED High Bay - UL

8,500 - 17,000 Lumens Standard Models



Patent pending



5/16"-18 X .75" THREADED (2)

Dimensions in Inches [mm]

Certifications & Ratings

- UL 1598 (acrylic lens models)
- UL 1598A (polycarbonate lens and tempered glass)
- CSA 22 #250
- ABS Design Assessed: # 12-HS950618-PDA
- NEMA 4X
- IP66

Mechanical Information:

- Fixture weight:** 17 lbs (7.7 kg)
- Shipping weight:** 23 lbs (10.43 kg)
- Mounting:** (1) 3/4" NPT - top
(2) 5/16"-18 x .75" UNC - side
- Entries:** 10' (3.05m) STOOOW Power Cord

Electrical specifications:

- Operating Voltage:** 100 - 277V AC
347 - 480V AC (consult with factory)

- Total system power consumption:** See table

- Operating Temp:** -40°F to +149°F (-40°C to +65°C)

- Harmonics:** IEC 61000-3-2

- Noise requirement /EMC:** FCC Title 47, Subpart B, Section 15, class A device. RF Immunity; 10V/m, 80MHz-1GHz

- Transient protection:** Protection devices capable of handling up to 6kV. Tested for 6kV/2 ohm combination wave, as per IEEE C62.41, line-line and line-ground

- THD:** <20%

- Power Factor:** > 0.9

- Fusing:** Internal on black wire

Construction:

- Housing:** Copper free aluminum

- Finish:** Superior dual coat finish
- sealed polyester topcoat
- chemical resistant epoxy primer

- Lens:** Acrylic - UL 1598 dry location only
Polycarbonate - UL1598A wet location
Polycarbonate dome lens
Tempered glass

Photometric Information:

- CRI:** 75
- CCT:** 5000K (cool white)
4000K (neutral white)

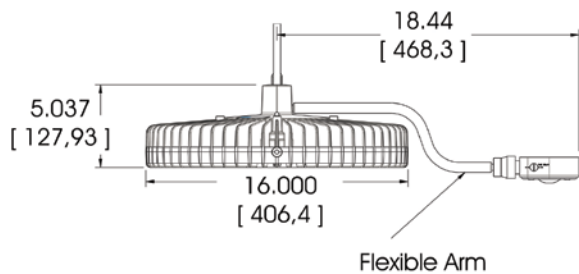
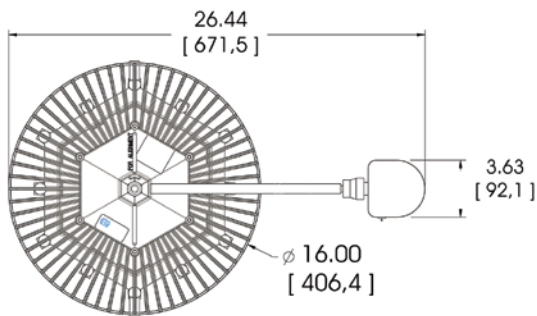
All values typical unless otherwise stated
Lumen values are typical (tolerance +/- 10%)

DuroSite LED High Bay - UL

Occupancy Sensor Models



Patent pending



Dimensions in Inches [mm]

Certifications & Ratings

- IP65

Features & Benefits

- No additional electrical connections required for installation
- Flexible conduit permitting the positioning of the occupancy sensor for optimal coverage
- Interchangeable sensor lens for high bay, low bay, or aisle application

Mechanical Information:

Fixture weight:	20 lbs (13.34kg)
Shipping weight:	27 lbs (9.62kg)
Mounting:	(1) 3/4" NPT - top (2) 5/16"-18 x .75" UNC - side
Entries:	10' (3.05m) STOOW Power Cord

Sensor:

Sensor Mounting:	Attached to the base of the neck using a semi-rigid flexible conduit
Occupancy Sensor:	Wet location wattstopper
Sensor Lens Options:	30 seconds to 20 minutes
Operating Temperature:	Interchangeable lenses for multiple mounting heights and sensor patterns

Electrical specifications for High Bay:

Operating Voltage:	100 - 277V AC 347 - 480V AC (consult with factory)
---------------------------	---

Total system power consumption:	See table
Operating Temp:	-40°F to +149°F (-40°C to +65°C)

Harmonics:	IEC 61000-3-2
Noise requirement /EMC:	FCC Title 47, Subpart B, Section 15, class A device. RF Immunity; 10V/m, 80MHz-1GHz

Transient protection:	Protection devices capable of handling up to 6kV. Tested for 6kV/2 ohm combination wave, as per IEEE C62.41, line-line and line-ground
------------------------------	--

THD:	<20%
Power Factor:	> 0.9

Construction:

Housing:	Copper free aluminum
Finish:	Superior dual coat finish - sealed polyester topcoat - chemical resistant epoxy primer
Lens:	Tempered glass

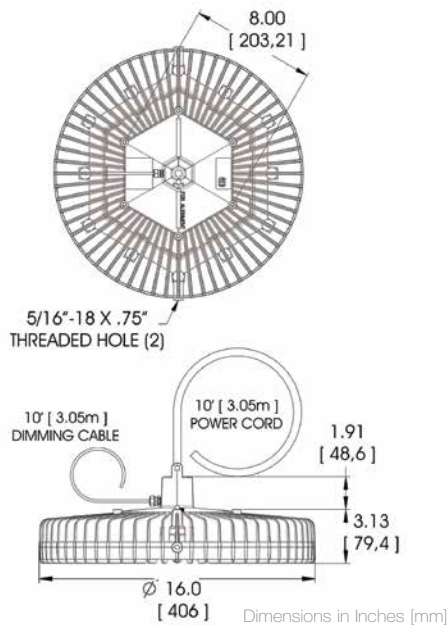
Photometric Information:

CRI:	75
CCT:	5000K (cool white) 4000K (neutral white)

All values typical unless otherwise stated
Lumen values are typical (tolerance +/- 10%)

DuroSite LED High Bay - UL

Variable Dimming (0-10V DC) & STEP Dimming High Bays



Features & Benefits

- 10' plenum rated dimming control cable pre-installed
- Dimming cabling independent of fixture wiring
- Multiple High Bays can be connected to the same dimmer

Mechanical Information:

Fixture weight:	20 lbs (13.34kg)
Shipping weight:	27 lbs (9.62kg)
Mounting:	(1) 3/4" NPT - top (2) 5/16"-18 x .75" UNC - side
Entries:	10' (3.05m) STOOV Power Cord

Variable Dimming:

Variable Dimming Cable:	Two conductor cable
Power Cable:	Three conductor cable
Dimming Cable Position:	Side of the neck through a cable gland
Variable Dimming Control:	0-10V DC
Dimming Range:	10V DC = 100% light output 0V DC = 30% light output

Electrical specifications for High Bay:

Operating Voltage:	100 - 277V AC 347 - 480V AC (consult with factory)
---------------------------	---

Total system power consumption:	See table
Operating Temp:	-40°F to +149°F (-40°C to +65°C)
Harmonics:	IEC 61000-3-2

Noise requirement /EMC:	FCC Title 47, Subpart B, Section 15, class A device. RF Immunity; 10V/m, 80MHz-1GHz
--------------------------------	---

Transient protection:	Protection devices capable of handling up to 6kV. Tested for 6kV/2 ohm combination wave, as per IEEE C62.41, line-line and line-ground
------------------------------	--

THD:	<20%
Power Factor:	> 0.9

Construction:

Housing:	Copper free aluminum
Finish:	Superior dual coat finish - sealed polyester topcoat - chemical resistant epoxy primer
Lens:	Tempered glass

Photometric Information:

CRI:	75
CCT:	5000K (cool white) 4000K (neutral white)

All values typical unless otherwise stated
Lumen values are typical (tolerance +/- 10%)

DuroSite LED High Bay - UL

Ordering Information

Part Number	Fixture Lumen	Wattage	LPW	Warranty	Voltage	CCT	Lens		Optical Pattern
							Clear	Diffused	
Standard Models - 100 - 277V AC									
HBEC4P	13,000	150	90	10yr	100 - 277V AC	5000K (cool white)	Tempered Glass		Aisle
HB6C4M	11,750	146	80	5yr	100 - 277V AC	5000K (cool white)	Tempered Glass		Aisle
HB7C4M	11,750	146	80	5yr	100 - 277V AC	5000K (cool white)	Tempered Glass		Aisle
HBWC4L	8,500	107	79	10yr	100 - 277V AC	5000K (cool white)		Polycarbonate Dome	Wide
Occupancy Sensor models ²									
HB6C4T	11,750	146	80	5yr	100 - 277V AC	5000K (cool white)	Tempered Glass		Aisle
HB7C1T	11,750	146	80	5yr	100 - 277V AC	5000K (cool white)	Tempered Glass		Aisle
HB1C4T	11,500	146	79	5yr	100 - 277V AC	5000K (cool white)	Acrylic		Circular
HB2C4T	10,750	146	74	5yr	100 - 277V AC	5000K (cool white)	Polycarbonate		Circular
Variable Dimming models									
HB7C4Y	11,750	146	80	5yr	100 - 277V AC	5000K (cool white)	Tempered Glass		Aisle
HB6C4Y	11,750	146	80	5yr	100 - 277V AC	5000K (cool white)	Tempered Glass		Aisle
Variable and Step Dimming Models									
HBGCQQ	17,500	170	103	5yr	100 - 277V AC	5000K (cool white)	Tempered Glass		Circular
HBGC1Q	15,000	146	103	5yr	100 - 277V AC	5000K (cool white)	Tempered Glass		Circular

All values typical unless otherwise stated, Lumen values are typical (tolerance +/- 10%).

¹ Polycarbonate and tempered glass lens units meet IP 66 when installed using conduit or an IP66 approved cable gland at the 3/4 NPT. Dialight offers IP66 approved cable glands as part of accessories HBXW2 and HBXCG.

² Part numbers with occupancy sensor that will be installed with Hook or Loop (HBXH or HBXL) accessories will require a counter balance installed prior to shipment. Consult factory. For Dialight's complete list of DLC qualified products, please click this link: www.dialight.com/DLC

DuroSite LED High Bay - UL

Mounting Accessories for 8,500 - 17,000 Lumens Standard Models



HBXW3-SSL-316
HBXW3-SSL-304

- Stainless steel bracket



HBXCAB48

- 48" long stainless steel safety rope (for use with safety bracket)



HBXDC

- 21° slope dust cover

HBXDC45

- 45° slope dust cover

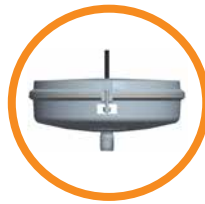
HBXDC60

- 60° slope dust cover



FLX1HBXSS

- 304 Stainless steel forward throw bracket



HBXTH347480

- Top hat with 347-480V AC step down transformer (consult factory when using with hook or loop)



HBXH

- Hook



HBXW2

- Swivel bracket and cable gland

HBXW3

- Swivel bracket



HBXL

- Loop



HBXDUALBRCKT

- Dual bracket



HBXCU

- Ceiling / wall mount



HBXREF22

- 22" Acrylic reflector (must be ordered with high bay, not a retrofit option)



HBXCG

- Cable gland



HBXLENGC

- Clear tempered glass

HBXLENAC

- Acrylic lens, clear

HBXLENAD

- Acrylic lens, diffused

HBXLENPC

- Polycarbonate lens, clear

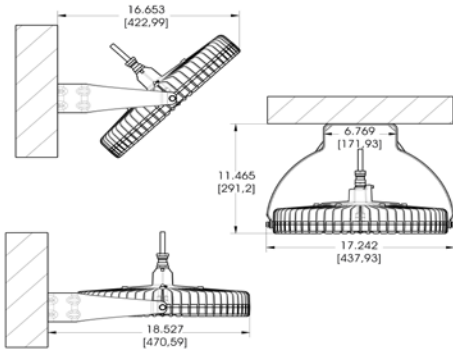
HBXLENDP

- Polycarbonate lens, diffused

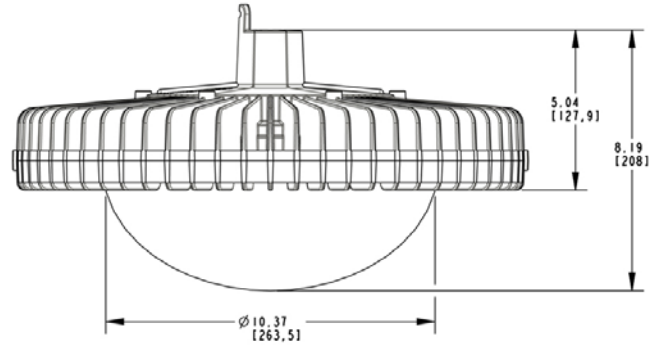
DuroSite LED High Bay - UL

Options and Accessories Drawings

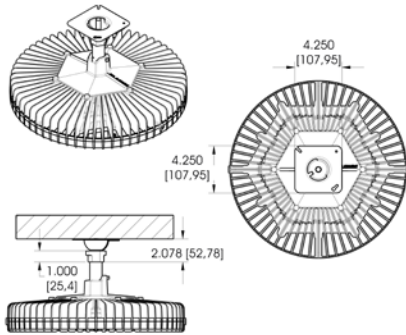
HBXW2 - Swivel Bracket and Cable Gland (8,000 - 17,000lm)



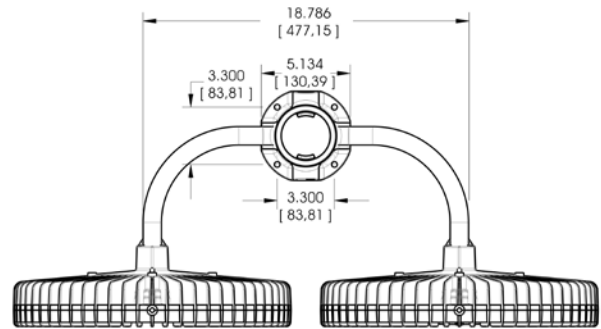
LBXLENP - Dome Lens



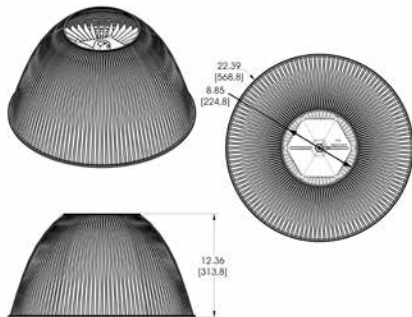
HBXCU - Ceiling Mount



HBXDUALBRCKT - Dual Bracket



HBXREF22 - 22" Acrylic Reflector



HBXREF22 - 22" Acrylic Reflector

