

| CATALOG NO | VOLTAGE | NEC MOTOR HP | NEC MOTOR CURRENT | WATTS LOSS | APPROX WT-LBS | TORQUE (LB-IN) |
|------------|---------|--------------|-------------------|------------|---------------|----------------|
| KDRF3L     | 480     | 75           | 96                | 193        | 30            | --             |

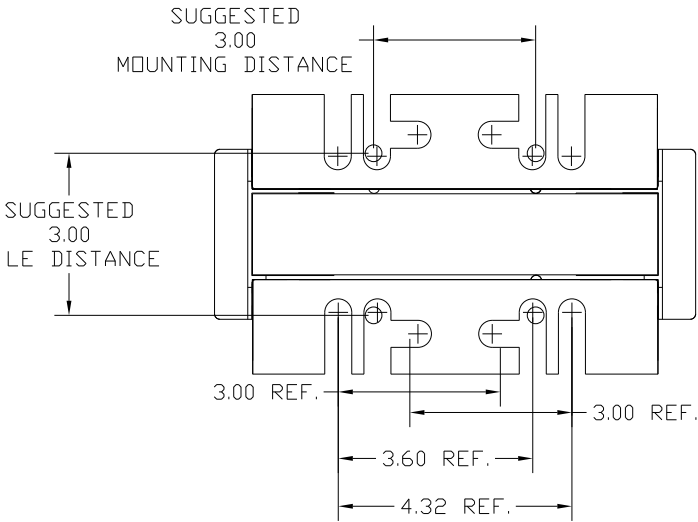
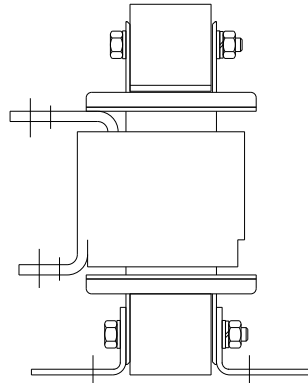
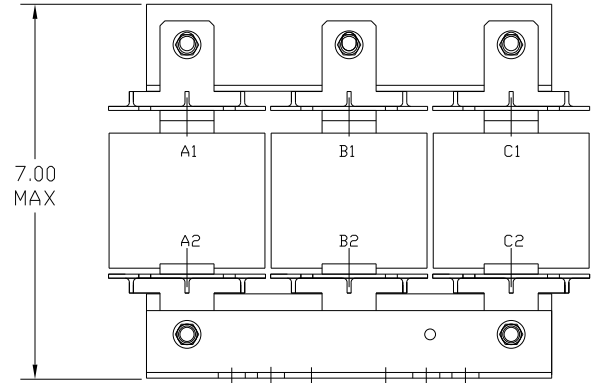
**TCI** Performance and Protection for Drives.

TRANS-COIL, INC  
MILWAUKEE WI  
WWW.transcoil.com  
800-824-8282

KDR Drive Reactor  
CATALOG# Motor Amps ---  
3PH, 60Hz, 600V Max. --- A Max.  
40C Amb Max, 115C Rise

UL<sup>®</sup> US<sup>®</sup> SA<sup>®</sup> CE

DATE 0000 A1 A2 B1 B2 C1 C2



NOTE: A1, A2, B1, B2, C1, C2, MARKINGS ON COIL FOR REFERENCE ONLY.

|                                    |  |      |  | TOLERANCES (EXCEPT AS NOTED) |  | TCI 7878 N. 86th STREET MILWAUKEE, WI 53224 |                |  |
|------------------------------------|--|------|--|------------------------------|--|---|----------------|--|
|                                    |  |      |  | DECIMAL                      |  | KDR DRIVE REACTOR<br>480V LOW Z, FRAME F    |                |  |
|                                    |  |      |  | .XX ± .03                    |  |   |                | DRN. BY DSW DATE 07/30/01 DWG. NO. B KDRF3L DG |
| D ADD MARKING NOTE 11/21/06 DSW    |  |      |  | XXX ± .01                    |  |   |                |  |
| C 2289 TO COPPER BUSS 04/20/04 DSW |  |      |  | FRACTIONAL ± 1/32            |  | SCALE                                       | APRVD 07/30/01 |  |
| B 2235, MOUNTING CHG 09/15/03 DSW  |  |      |  | ANGULAR ± 1/2°               |  |   |                |  |
| NO REVISION                        |  | DATE |  | BY                           |  | SHT. 1 OF 1                                 |                |  |