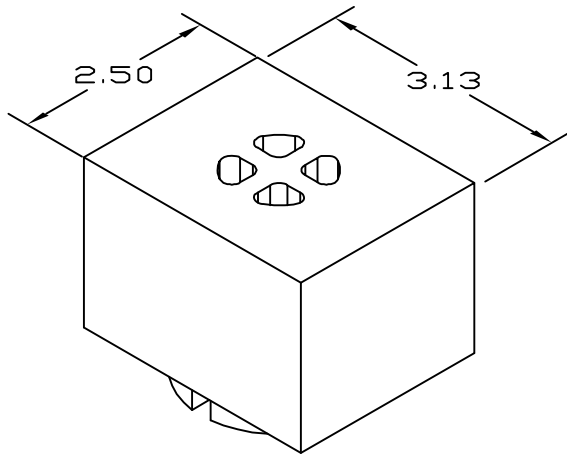
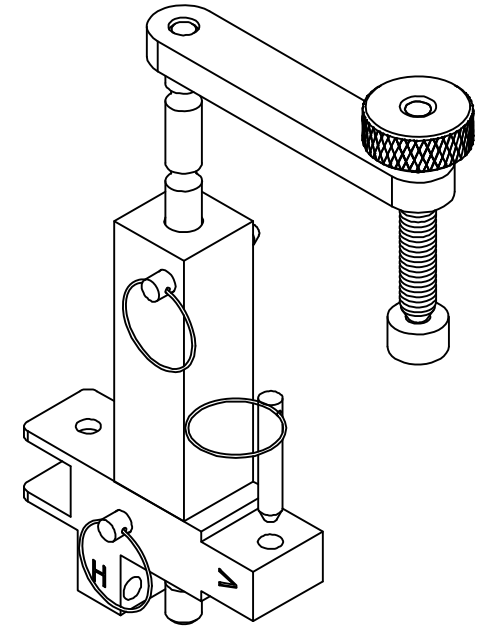


FIBER FILTER X (10) PCS  
POLYBAG



FILTER HOUSING FOR  
25-115 MOLDS



LOW SMOKE ADAPTER

LOW SMOKE NO FLAME KIT 25-115

EST WT 6#

APPROVED

AS DRAWN: \_\_\_\_\_  
 AS NOTED: \_\_\_\_\_  
 DATE: \_\_\_\_\_

THIS DOCUMENT AND THE CONTENTS THEREOF IS THE PROPERTY OF HARGER INC., AND IS FURNISHED TO YOU FOR INFORMATION ONLY. THE INFORMATION CONTAINED HEREIN IS CONFIDENTIAL AND OF A PROPRIETARY NATURE AND MUST NOT BE DISCLOSED TO THIRD PARTIES WITHOUT THE EXPRESS WRITTEN APPROVAL OF HARGER INC.

LET	REVISION	DATE	BY
TOLERANCES UNLESS NOTED:		3RD ANGLE PROJECTION	
FRACTIONAL +/- 1/16			
DECIMAL +/- .030			
BREAK SHARP EDGES			

PART NO. USSKIT1  
LOW SMOKE KIT

DRAWN BY:  
LAL  
CHECKED BY:  
DATE:  
010714



301 ZIEGLER DRIVE  
GRAYSLAKE, IL 60030  
(847) 548-8700

REVISION:  
-  
SCALE:  
1/2  
SHEET:  
1 OF 1