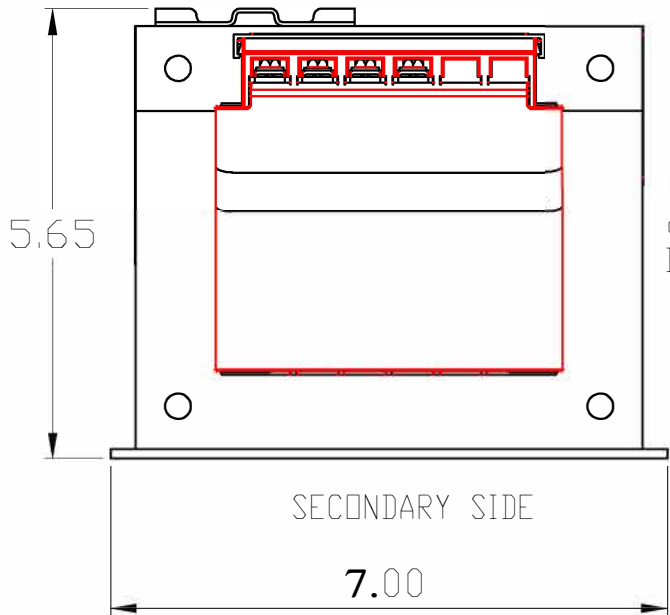
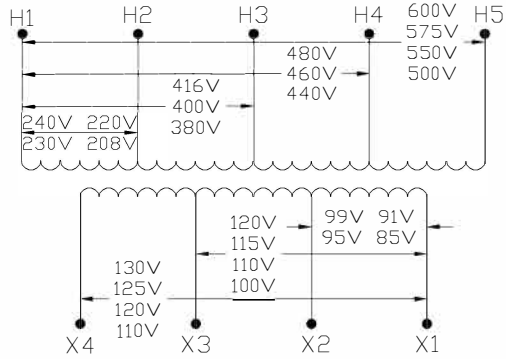
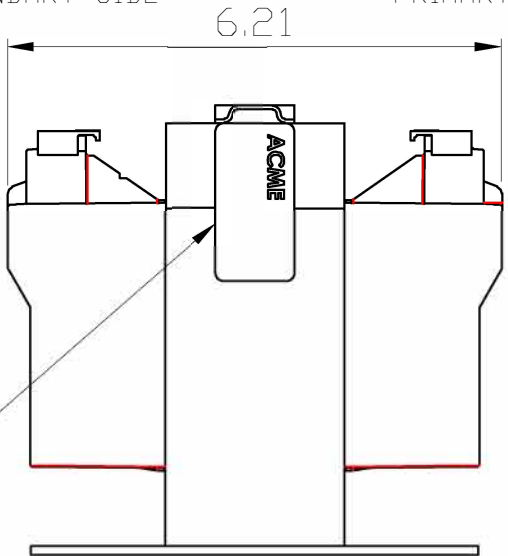



TRANSFORMER SPECIFICATIONS	
PRIMARY VOLTAGE(S)	230/400/460/575
SECONDARY VOLTAGE(S)	95/115/125
RATED V.A.	750
RATED FREQUENCY	50/60
INSULATION CLASS	130°C @ MAX RISE 80°C
AGENCY APPROVALS	UL, CUL
ESTIMATED WEIGHT	29.8 LBS



SECONDARY SIDE PRIMARY SIDE



CONNECTION DIAGRAM

DIMENSIONS ARE IN INCHES TOLERANCES: .XX ± .03 .XXX ± .010 ANGULAR: ± 1°	DRAWN BY:	VS	DATE	06/08/2020	 Acme Electric
	CHECKED BY:				
SOURCE	N/A				750 VA
MATERIAL	N/A				
FINISH	N/A				
DO NOT SCALE DRAWING					PROPRIETARY AND CONFIDENTIAL THE INFORMATION CONTAINED IN THIS DRAWING IS THE SOLE PROPERTY OF ACME ELECTRIC. ANY REPRODUCTION IN PART OR AS A WHOLE WITHOUT THE WRITTEN PERMISSION OF ACME ELECTRIC IS PROHIBITED.
SIZE		DWG. NO.		A CE750N007	
WEIGHT:		LBS.		SHEET 1 OF 1	