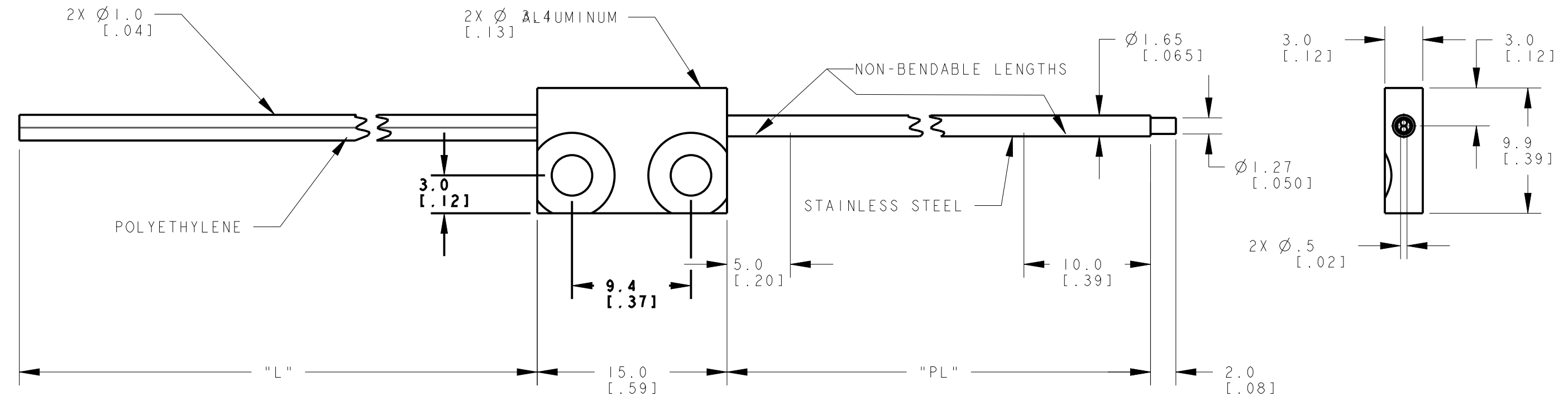


REVISION HISTORY			
REV	DESCRIPTION	DATE	APPROVED



MODEL NO.	"L"	"PL"	P/N
PBPF26UMB1.8	2000 [.79]	45 [1.8]	51838
PBPF26UMB	2000 [.79]	65 [2.5]	39116

Dimensions are  
 Millimeters [inches]  
 TOLERANCES  
 (Unless Otherwise Specified)  
 X =  $\pm 0.5$ mm  
 X.X =  $\pm 0.25$   
 X.XX =  $\pm 0.12$ mm  
 [X.X =  $\pm .1$ "]  
 [.XX =  $\pm .01$ "]  
 [.XXX =  $\pm .005$ "]  
 ANGLE =  $\pm 3^\circ$   
 "L" = 40mm/Meter  
 [.5"/Foot]



BANNER ENGINEERING Corp.  
 9717 10th Ave. North  
 Minneapolis, MN 55441  
 Tel # 763-544-3164  
 Fax # 763-544-3573  
 www.bannerengineering.com

This drawing is the property of BANNER ENGINEERING Corp. and is proprietary in general and in detail. Its contents shall not be revealed to outside parties without the written consent of BANNER.

PBPF26UMB3	PLASTIC FIBEROPTIC ASSEMBLY & MOD'S
08-04-23	I OF I
815443	