



# MR16/GU10/PAR16

## 7MR16/LED/F35/830/DIM AF2 10/1

Philips MR16 Dimmable LED Lamps provide ambient level light to illuminate hard to maintain applications. Increased transformer compatibility allows for operation on a wider range of transformers. Available in dimmable and non-dimmable versions, these lamps are ideal for track and open recessed fixtures in retail, hospitality and residential spaces.

### Product data

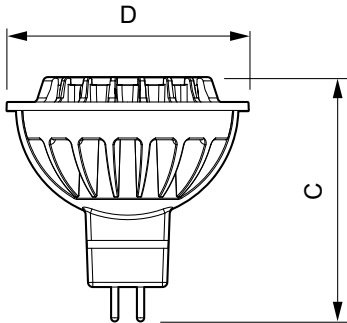
General Information		Luminous Flux In 90° Cone (Rated)	
Cap-Base	GU5.3 [ GU5.3]		500 lm
Bulb Shape	MR16 [ 2inch/50mm]	Operating and Electrical	
Nominal Lifetime (Nom)	25000 h	Power (Rated) (Nom)	7 W
Switching Cycle	50000X	Lamp Current (Nom)	720 mA
Technical Type	7-50W	Wattage Equivalent	50 W
Light Technical		Starting Time (Nom)	0.5 s
Color Code	930 [ CCT of 3000K]	Warm Up Time To 60% Light (Nom)	1 s
Beam Angle (Nom)	35 °	Power Factor (Nom)	0.7
Light Distribution	Medium beam 35°	Voltage (Nom)	12 V
Luminous Flux (Nom)	500 lm	Temperature	
Luminous Flux (Rated) (Nom)	500 lm	T-Case Maximum (Nom)	92 °C
Luminous Intensity (Nom)	1350 cd	Controls and Dimming	
Color Designation	White (WH)	Dimmable	Yes
Rated Beam Angle	35 °	Approval and Application	
Correlated Color Temperature (Nom)	3000 K	Energy star mark	Energy star
Luminous Efficacy (rated) (Nom)	71 lm/W	Energy Saving Product	Yes
Color Consistency	<6	Suitable For Accent Lighting	Yes
Color Rendering Index (Nom)	90	Energy Efficiency Label (EEL)	Not applicable
LLMF At End Of Nominal Lifetime (Nom)	70 %		

## MR16/GU10/PAR16

Energy Consumption kWh/1000 h	8 kWh
<b>Product Data</b>	
Order product name	7MR16/LED/F35/830/DIM AF2 10/1
EAN/UPC - Product	046677461591
Order code	929001153234

Numerator - Quantity Per Pack	1
Numerator - Packs per outer box	10
Material Nr. (12NC)	929001153234
Net Weight (Piece)	0.045 kg

### Dimensional drawing



LED D 7-35W 830 MR16 36D

Product	D	C
7MR16/LED/F35/830/DIM AF2 10/1	50.5 mm	50.5 mm

Photometric data

