

Watertight Devices 20A, 125V, 2 Pole, 3 Wire Straight Blade Plug

HUBBELL



Features

- Smooth body design minimizes collection points simplifying the wash down process
- Strain relief nut always seals on the body, minimizing debris collection
- Stainless steel hardware and corrosion-resistant connection points

Ordering Information

| Description | Cord Diameter | UPC | Catalog Number |
|-------------------------------------|-----------------------------|--------------|----------------|
| Thermoplastic elastomer yellow plug | 0.375"-0.625" (9.5-15.9) | 783585131184 | HBL14W33A |

Listings

Listed to UL498
 Certified to CSA C22.2 No. 42
 Meets NEMA WD-1, WD-6 and ANSI standards
 UL Listed, CSA Certified to Type 4, 4X, 12, 6, 6P

Specifications

| | |
|---------------------|-------------------------|
| Body | Thermoplastic Elastomer |
| Blade Holder | White Nylon |
| Terminal Retainer | Clear polycarbonate |
| Blades | Nickel plated brass |
| Core | White Nylon |
| Bushing & Cone Seal | Black Elastomer |
| Gotcha Ring | Nylon |
| Strain Relief Nut | PBT |
| Terminal Screws | Nickel Plated Brass |

Performance

Electrical

| | |
|----------------------|--|
| Current Interrupting | Rated for current interruption per UL498 |
| Dielectric Voltage | 2500V AC |
| Max Working Voltage | As marked |
| Temperature Rise | 30°C max per UL498 at rated current |

Mechanical

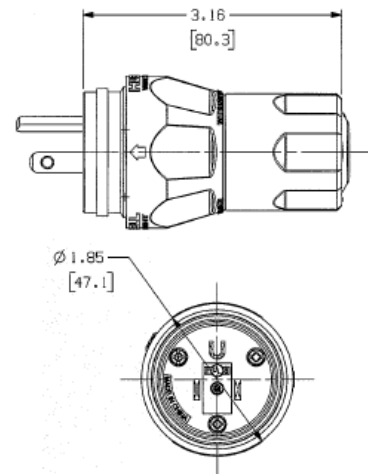
| | |
|-------------------|--------------------------|
| Cord Accomodation | 0.375"-0.625" (9.5-15.9) |
|-------------------|--------------------------|

Environmental

| | |
|------------------------|--|
| Moisture Resistance | UL Listed 4, 4X, 12, 6, 6P |
| Operating temperatures | -40°C (without impact) to +60°C continuous |
| UV resistance | All exposed materials are UV stabilized |



20A 125V
NEMA 5-20P
 UL CSA
 1 HP



Complementary Products

| | |
|---------------------------------------|-----------|
| Watertight Connector | HBL15W33A |
| Watertight Receptacle with Lift Cover | HBL60W33 |
| Watertight Duplex Receptacle | HBL60W33D |

Online Resources

[eCatalog](#)

Dimensions in Inches (mm)

Hubbell Wiring Device-Kellems • Hubbell Incorporated (Delaware) • 40 Waterview Drive • Shelton, CT 06484

Phone (800) 288-6000 • Fax (800) 255-1031 • Specifications subject to change without notice.

