

LED-8030M-A 140W LED for HID Retrofit High Bay / Low Bay



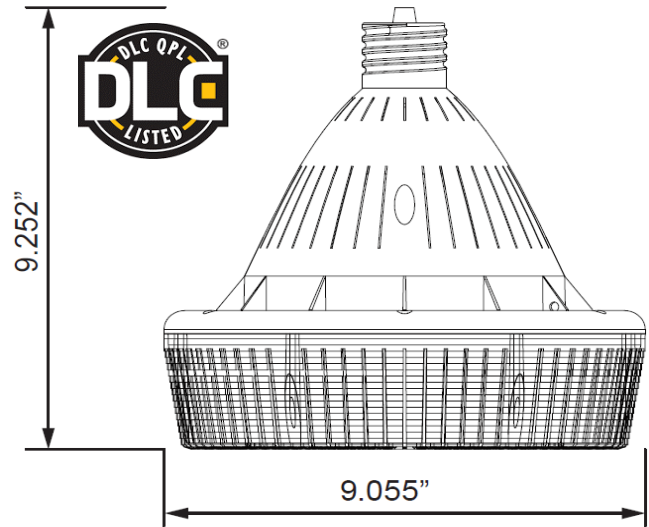
Models

LED-8030MXX-A, 120-277VAC, ULus, 4000K or 5700K CCT, EX39

LED-8030MXXC-A, 347VAC, cUL, 4000K or 5700K CCT, EX39

Features

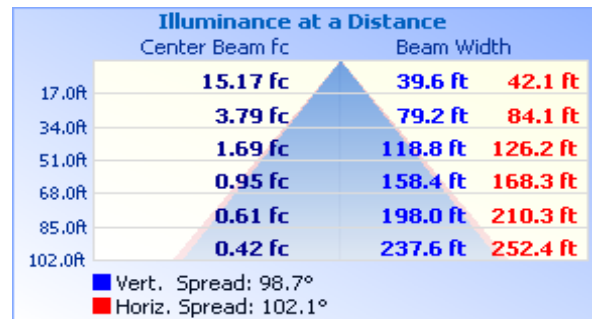
- 140 Watts Replaces 400w HID Lamps
- Optimized for Low Bay HID fixture with PC or Glass Globe
- 360° Beam Angle
- 120-277V UL 1993, UL1598C US and Canada
- 120-347V UL 1993, UL1598C Canada only
- UL classified for damp environments (USA & Can)
- Advanced active cooling, Sunon Mag-lev >70,000 hr. fan
- EX39 Mogul Base
- >50,000 rated LED life
- 5 year limited warranty (see website for details)
- Retrofitted fixture retains UL approval under UL Classified 1598C.
- Rated for enclosed fixture



Technical Specifications

| Models US/CAN | LED-8030M40-A | LED-8030M40C-A | LED-8030M57-A | LED-8030M57C-A |
|----------------------------|---|----------------|---------------|----------------|
| CCT | 4000K | 4000K | 5700K | 5700K |
| Power Consumption | 140W | | | |
| Replaces | 400 MH/HPS | | | |
| Mounting | EX39 | | | |
| Voltage | 120-277VAC (USA) 120-347VAC (CANADA) | | | |
| LED Type | 2835 | | | |
| Beam Angle | 360° | | | |
| Dimmable | No | | | |
| Operating Temp | -40°F - +122°F | | | |
| Rated R70 Life | Up to 50,000 Hrs. | | | |
| Warranty | 5 Year Limited* | | | |
| LM79 Specifications | Yes | Yes | Yes | Yes |
| Power (W) | 144.4 | 139.5 | 144.3 | 140.8 |
| CCT | 3970 | 4017 | 5693 | 5534 |
| Light Output | 15763 | 15667 | 15911 | 15966 |
| Efficacy | 109 | 112 | 110 | 113 |
| THD @ 277V | 15.78% | 18.62% | 15.42% | 18.62% |
| PF @ 277V | 97 | 97 | 98 | 97 |
| CRI: | 84 | 83.8 | 85.4 | 84.8 |
| R9 | 13 | 10 | 17 | 13 |
| Duv | 0 | 0.002 | 0.003 | 0.003 |
| Packaging | 2 / Master Carton | | | |
| Unit | 11.6"x 11.6"x 12.1" 5.24 lbs. | | | |
| Master | 14.8"x 14.8" x 9.5" 11.4 lbs. | | | |

Illuminance Plots



Installation Notes:

- Ballast must be bypassed
- Installing surge/lightning protectors is highly recommended

| LED Power Consumption (Watts) | HID Power Consumption (Watts) | HID Ballast Power Consumption (Watts) | Total Savings (Watts) | Annual Energy Savings (14 hrs/day) | Lifetime Energy Savings (over 50,000 hrs) |
|-------------------------------|-------------------------------|---------------------------------------|-----------------------|------------------------------------|---|
| 140 | 400 | 80 | 340 | \$191 | \$1,870.00 |

| Mounting Orientation | | | Minimum Fixture Size Requirements (inches) | |
|----------------------|-----------|----------|--|--------|
| Base Up | Base Down | Horiz | Length | Width |
| | | | 11.25 | 11.05 |
| Approved | Approved | Approved | Height | 11.05 |
| | | | Cu. Inches | 1373.7 |



188 S. Northwest Highway • Cary, IL 60013
(847) 380-3540 • FAX: (847) 380-3542
www.led-llc.com

