

LED-8090M 120W LED for HID Retrofit for Shoebox/Wallpack

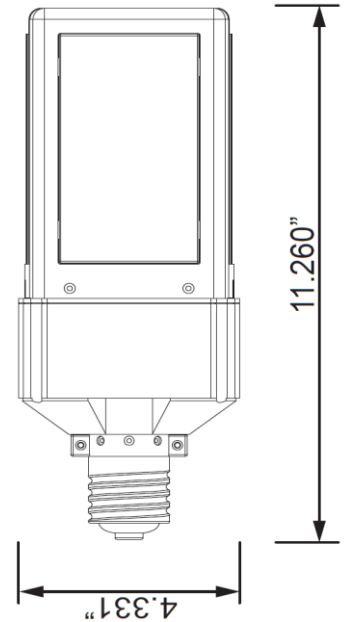


Models

LED-8090MXX-A, 120-277VAC, ULus, 4000K or 5000K CCT, E39
 LED-8090MXXC-A, 120-347VAC, cUL, 4000K or 5000K CCT, E39

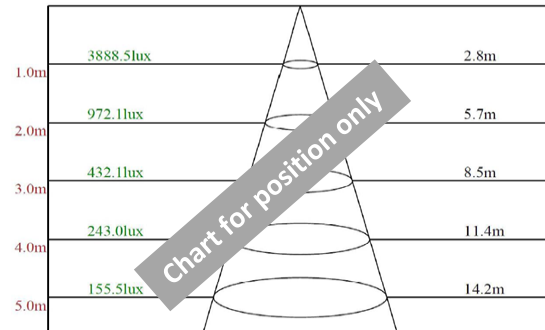
Features

- > 120W LED Replaces 400W MH or HPS HID Lamps
- > Rotatable base enables user to accurately direct output to target
- > Designed for Horizontal installations
- > UL approved for damp environments and enclosed fixtures
- > Advanced active cooling: Active cooling and dynamic temperature control
- > 50,000 hour rated LED life (supported by LM80 and ISTMT reports (see website))
- > 5 Year Limited Warranty - see website for details
- > UL1598C retains fixture UL Listing



Type V

Lux Distance Curve



Beam angle of C90plane109.74

Technical Specifications

Models US/CAN	LED-8090M40-A	LED-8090M40C-A	LED-8090M50-A	LED-8090M50C-A
CCT	4000K	4000K	5000K	5000K
Power Consumption	120 watts			
Replaces	400 MH/HPS			
Mounting	E39			
Voltage	120-277VAC (USA) 120-347VAC (CANADA)			
LED Type	CREE XTE			
Beam Angle	Type V			
Dimmable	No			
Operating Temp	-40°F - +122°F			
Rated R70 Life	Up to 50,000 Hrs.			
Warranty	5 Year Limited*			

LM79 Specifications	Yes	Yes	Yes	Yes
Power (W)	114.9	119.1	114.5	119.6
CCT	3835	3995	4915	4956
Light Output	11605	12293	11760	12590
Efficacy	101	103	102	105
THD @ 277V	12.45%	13.30%	12.29%	13.59%
PF @ 277V	98	96	97	97
CRI:	73.4	73.7	73.8	73.8
R9	0	0	0	0
Duv	0.0024	-0.0001	-0.0009	0.0012
Packaging	9 / Master Carton			
Unit	6.6"x 6.6"x 12.9" 2.9lbs.			
Master	20.7"x 18.5" x 13.8" 25.5 lbs.			

Installation Notes:

- Ballast must be bypassed
- Installing surge/lightning protectors is highly recommended

LED Power Consumption (Watts)	HID Power Consumption (Watts)	HID Ballast Power Consumption (Watts)	Total Savings (Watts)	Annual Energy Savings (14 hrs/day)	Lifetime Energy Savings (over 50,000 hrs)
120	400	80	360	\$202	\$1,980.00

Mounting Orientation			Minimum Fixture Size Requirements (inches)	
Base Up	Base Down	Horiz	Length	Width
			13.26	6.33
Approved	Approved	Approved	Height	6.33
			Cu. Inches	531.3



188 S. Northwest Highway • Cary, IL 60013
 (847) 380-3540 • FAX: (847) 380-3542
 www.led-llc.com