

## Datasheet - AZ 15 ZVRK


Safety switch with separate actuator / AZ 15



Preferred typ



(Minor differences between the printed image and the original product may exist!)

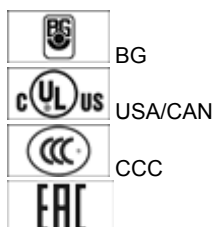
- Thermoplastic enclosure
- Double-insulated 
- Long life
- 52 mm x 75 mm x 30 mm
- Multiple coding
- Large wiring compartment
- High level of contact reliability with low voltages and currents
- Slotted holes for adjustment, circular holes for location
- Insensitive to soiling
- 3 cable entries M 16 x 1.5

### Ordering details

Product type description	AZ 15 ZVRK
Article number	101153619
EAN code	4030661169354
eCl@ss	27-27-26-02

### Approval

Approval




### Classification

Standards	EN ISO 13849-1
B <sub>10d</sub> Normally-closed contact (NC)	2.000.000
Mission time notice	20 Years
	$MTTF_d = \frac{B_{10d}}{0,1 \times n_{op}}$
	$n_{op} = \frac{d_{op} \times h_{op} \times 3600 \text{ s/h}}{t_{cycle}}$

## Global Properties

---

Product name	AZ 15
Standards	EN 60947-5-1, BG-GS-ET-15
Compliance with the Directives (Y/N) 	Yes
suitable for elevators (Y/N)	Yes
Materials	
- Material of the housings	Plastic,, glass-fibre reinforced thermoplastic self-extinguishing
- Material of the contacts	Silver
Housing coating	None
Weight	100 g

## Mechanical data

---

Design of electrical connection	Screw connection
Cable section	
- Min. Cable section	0,75 mm <sup>2</sup>
- Max. Cable section	2.5 mm <sup>2</sup>
Mechanical life notice	> 1.000.000 operations All indications about the cable section are including the conductor ferrules.
higher Latching force (Y/N)	Yes
Latching force	30 N
With ejection force (Y/N)	No
Positive break force	10 N
positive break travel	8 mm
Actuating speed	max. 2 m/s

## Ambient conditions

---

Ambient temperature	
- Min. environmental temperature	-30 °C
- Max. environmental temperature	+80 °C
Protection class	IP67 to IEC/EN 60529

## Electrical data

---

Design of control element	Opener (NC)
Switching principle	Creep circuit element
Number of auxiliary contacts	0 piece
Number of safety contacts	1 piece
Rated impulse withstand voltage U <sub>imp</sub>	6 kV
Rated insulation voltage U <sub>i</sub>	500 V
Thermal test current I <sub>the</sub>	10 A
Utilisation category	AC-15: 230 V / 4 A, DC-13: 24 V / 4 A
Max. fuse rating	6 A gG D-fuse

## ATEX

---

Explosion protection categories for gases	None
Explosion protected category for dusts	None

## Dimensions

---

#### Dimensions of the sensor

- Width of sensor	52 mm
- Height of sensor	75 mm
- Length of sensor	30 mm

#### Included in delivery

---

Actuators must be ordered separately.

#### Diagram

---

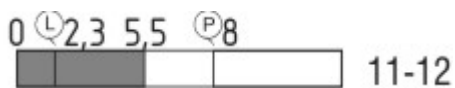


#### Note Diagram

- positive break NC contact
- active
- no active
- Normally-open contact
- Normally-closed contact

#### Switch travel diagram

---



#### Notes Switch travel diagram

- Contact closed
- Contact open
- Setting range
- Break point
- Positive opening sequence/- angle
- VS** adjustable range of NO contact
- VÖ** adjustable range of NC contact
- N** after travel

#### Ordering suffix

---

The applicable ordering suffix is added at the end of the part number of the safety switch.

Order example: AZ 15 ZVRK-**2254**

...-**2254**

Latching force 5 N

...-**1637**

0,3 µm gold-plated contacts



....-1762

Versions with M5 nuts  
For front mounting of safety switch, e.g. on sheet-steel covers  
Cannot be retrofitted

## Documents

---

**Operating instructions and Declaration of conformity (pt)** 433 kB, 25.05.2010

Code: mrl\_az15-16\_pt

**Operating instructions and Declaration of conformity (pt)** 287 kB, 08.07.2016

Code: mrl\_az15-16\_pt

**Operating instructions and Declaration of conformity (de)** 267 kB, 04.03.2016

Code: mrl\_az15-16\_de

**Operating instructions and Declaration of conformity (fr)** 284 kB, 27.04.2016

Code: mrl\_az15-16\_fr

**Operating instructions and Declaration of conformity (jp)** 564 kB, 23.08.2016

Code: mrl\_az15-16\_jp

**Operating instructions and Declaration of conformity (es)** 281 kB, 09.03.2016

Code: mrl\_az15-16\_es

**Operating instructions and Declaration of conformity (en)** 283 kB, 04.03.2016

Code: mrl\_az15-16\_en

**Operating instructions and Declaration of conformity (nl)** 266 kB, 02.07.2013

Code: mrl\_az15-16\_nl

**Operating instructions and Declaration of conformity (it)** 275 kB, 15.04.2016

Code: mrl\_az15-16\_it

**BG-test certificate (en)** 135 kB, 18.11.2014

Code: z\_z15p02

**BG-test certificate (de)** 138 kB, 18.11.2014

Code: z\_z15p01

**CCC certification (cn)** 815 kB, 21.07.2016

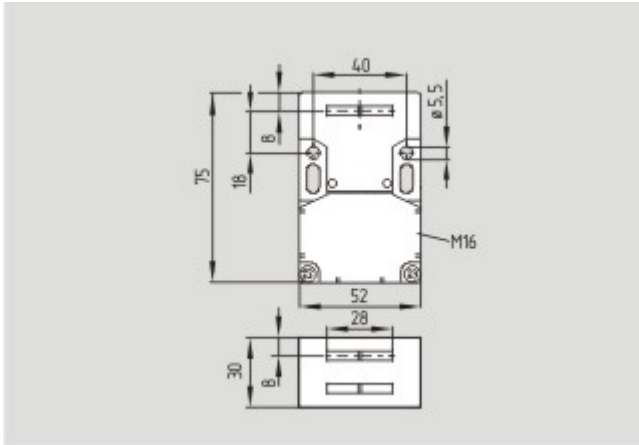
Code: q\_175p03

**CCC certification (en)** 847 kB, 21.07.2016

Code: q\_175p02

## Images

---



Dimensional drawing (basic component)

---

K.A. Schmersal GmbH & Co. KG, Möddinghofe 30, D-42279 Wuppertal

The data and values have been checked thoroughly. Technical modifications and errors excepted.

Generiert am 24.05.2017 - 17:41:03h Kasbase 3.2.6.F.64I