

## Herculine® 2000 Series Actuators

## Specification

### Overview

Honeywell's **Herculine® 2000 series** actuators are low torque, precision electric actuators incorporating all of the easy-to-use, high quality, and reliable features of the traditional **Herculine®** actuators.

Ensuring processes operate at maximum efficiency, with minimal downtime, and lowest lifetime cost requires precision and high reliability Herculine® actuators. They are industrial rated and engineered for very precise positioning of dampers and valves. They perform especially well in extremely demanding environments requiring continuous duty, high reliability, and low maintenance.



**Herculine® 2000** actuators are used in on/off power to open/close or position proportional with 135 or 1000 ohm feedback applications.



**Herculine® 2001 and 2002 Smart** actuators are used in current proportional or digital control applications. Access to all actuator parameters for real-time business and maintenance decisions is standard through Modbus RTU, local display, or via **HercuLink®** Palm PDA software.

**Herculine® 2002** actuators have additional standard features such as non-contact position sensing and slidewire emulation output.

**HercuLink®** software enables calibration, configuration, and access to maintenance data using your Palm PDA.



### Smart Features – Herculine® 2001 & 2002

**RS485/Modbus RTU Communication** - Modbus RTU communication is standard allowing seamless networking of Honeywell control products

**Alarm Functions** – Alarms may be assigned to relay outputs or may be accessed through the Modbus network. Alarms can be triggered from stall, temperature limits, motor cycle count, out of automatic mode, digital input, position, input failure, position sensor failure, power up failure, and more.

**Characterization** – Programmable linear, equal percentage, quick opening, or user configured 20-point characterization

**Failsafe** – the actuator can be programmed to drive open, closed, remain in-place, or drive to a user specified position on loss of input signal or position sensor.

**Split range operation** –programmable and infinitely adjustable.

**Factory Calibration** – stored in non-volatile memory and can be restored at any time.

**Digital Input Override** – A digital input is provided that can be programmed to drive the actuator open, closed, remain in-place, or to a user specified position on contact closure for emergency situations.

**Health Monitoring** – A standard feature on all Herculine® Smart actuators accumulates information about actuator operation. The information then can be used to evaluate and determine predicted or scheduled maintenance periods. Parameters monitored are accumulated stall time, exceeded thermal operating rating of the actuator, and number of motor starts in a region of travel, total travel and current actuator travel.

**Input Filter Setting** – Four programmable combinations - none, spike, low pass, or spike + low pass filter.

**Configuration security** – Password protection is provided to prevent tampering, allowing users to lock out some, all, or no groups of setup parameters.

**Direction of rotation** – programmable.

**Input Signals** – 0/4 to 20 mA, 0/1 to 5 Vdc, 0 to 10 Vdc, Digital RS485 Modbus RTU protocol, or Series 90 control.

**Output Signals** – 0/4 to 20 mA, 0/1 to 5 Vdc or slidewire emulation.

**Accurate Positioning** – Motor/gear train provides accurate positioning with almost instantaneous start/stop characteristics.

**Stall Alarm** – provides alarm output in the event of actuator stall due to overload.

### Smart Options

**HercuLink® Software** – loaded onto the users Palm PDA, laptop PC or desktop computer. This software allows you to configure or calibrate the actuator. In addition, maintenance information may be read, stored and later loaded in CSV format to the user's computer for maintenance tracking.

**Hart™ Communication** – For HART user's optional HART communications provides access to calibration, configuration, and maintenance data. In addition, the HART communications option is structured to work with the HART Asset Management Features.

**Local HMI Configuration** – Optional keypad and high intensity display is available (Figure 1). The display may be rotated in 90° increments for actuator mounting orientations other than horizontal.

**Non-contact position sensing (NCS)** – Herculine® 2002 only. See description next page.

**Slidewire Emulation (SEC)** – Herculine® 2001 and 2002 only. See text next page.

**Auxiliary Relay Outputs** –Programmable relay outputs can be used in place of auxiliary switch outputs to provide additional functionality such as indication of alarm status, control of other equipment, or to indicate position.

**Battery Powered 232/485 converter and cable** – used to connect the Palm PDA to the Herculine® actuator for communication.

### Non-Contact Position Sensing

Available in the HercuLine® 2002 actuator. The technology is a variable inductance, non-contact position sensor mounted directly to the actuator output shaft providing precision position sensing from 0 to 150 degrees (Figure 3). This technology eliminates maintenance items such as wipers, bearings, as well as static friction, hysteresis and electrical noise over a wide range of demanding environmental conditions. Typically used in very demanding applications where downtime is not an option.

### Slidewire Emulation

Available in the HercuLine® 2001/2002 actuator. The Slidewire Emulation Circuit (SEC) emulates the proportional voltage output of a typical slidewire through a high impedance circuit. The voltage output is proportional to the supply voltage and shaft position. If ordered on the 2002 model, a non-contact position sensor is used to determine shaft position in place of the slidewire. Typically used in very demanding applications where downtime is not an option.

### Potentiometer Sensing

An advanced high cycle film potentiometer for position sensing for true position feedback is available as an option on the HercuLine® 2000 BMU model and standard on HercuLine® 2001 EEU model.

### Self-locking/releasing Gear Train

The worm gear output combination is self-locking and self-releasing and maintains position upon loss of power. It is designed to hold greater than two times the rated output torque in a back-driving condition. This design provides superior reliability without the maintenance associated with other self-locking and brake mechanisms.

### General Features

- **Motor** - no burn out motor can be stalled up to 100 hours without damage to the actuator.
- **Duty Cycle** – Continuous duty cycle
- **Any position mounting** – the actuator may be mounted in any orientation without degrading performance.
- **Power Requirements** – Low power consumption 120/240 Vac, 50/60 Hz, single phase  $\leq 0.6/0.3$  Amp.

- **Enclosure** – Rugged, Die cast aluminum NEMA 4X industrial grade enclosure.
- **Low Maintenance** – Simple-proven design means high reliability/low maintenance.
- **Limit Switches** – Two end-of-travel electric limit switches are supplied as standard equipment with all HercuLine® 2000 series actuators.
- **Warranty** – Exceptional warranty
- **Certification** – CSA (pending), UL, CE

### General Options

- **Auxiliary Switches** – up to four additional SPDT switches are available.
- **Manual Operation** – a manual hand wheel is optional and used to operate the actuator when power is not available.
- **Auto-Manual** – electric hand switch with auxiliary contacts indicating an "Out-of-Auto" position is available for local electric control.
- **Competitive Mounting Plates** – to adapt the HercuLine® actuators to Invensys (Barber-Colman) or Siemens (Landis & Staefa) mountings.
- **Linkage assemblies** – Pushrod assemblies for valve or damper connection.

## Optional Local Display and Keypad for HercuLine® 2001 and 2002

A local display and keypad is optional for configuration and set-up (Figure 2). A high intensity 10-character LED display and simple push buttons provide quick access for actuator set-up and status information. If relay outputs are specified, all configuration can be done through either the local HMI interface or the HercuLink® configurator. HercuLink® Palm PDA software or HART™ communications is available for those ordering units without the display and keypad.

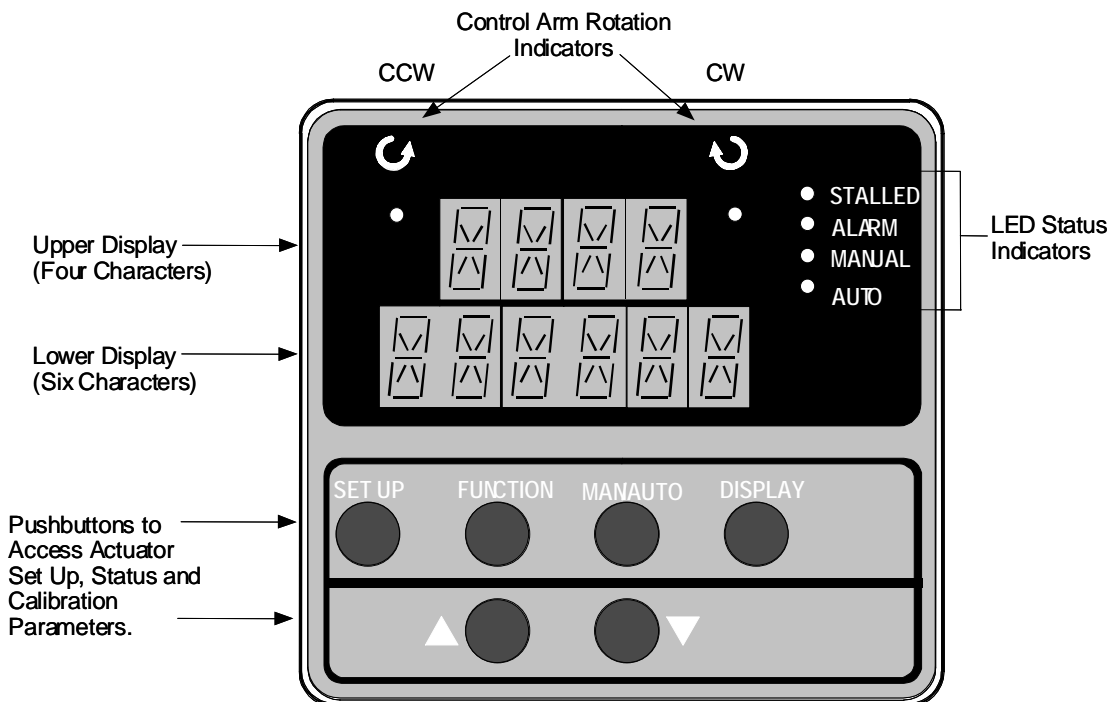
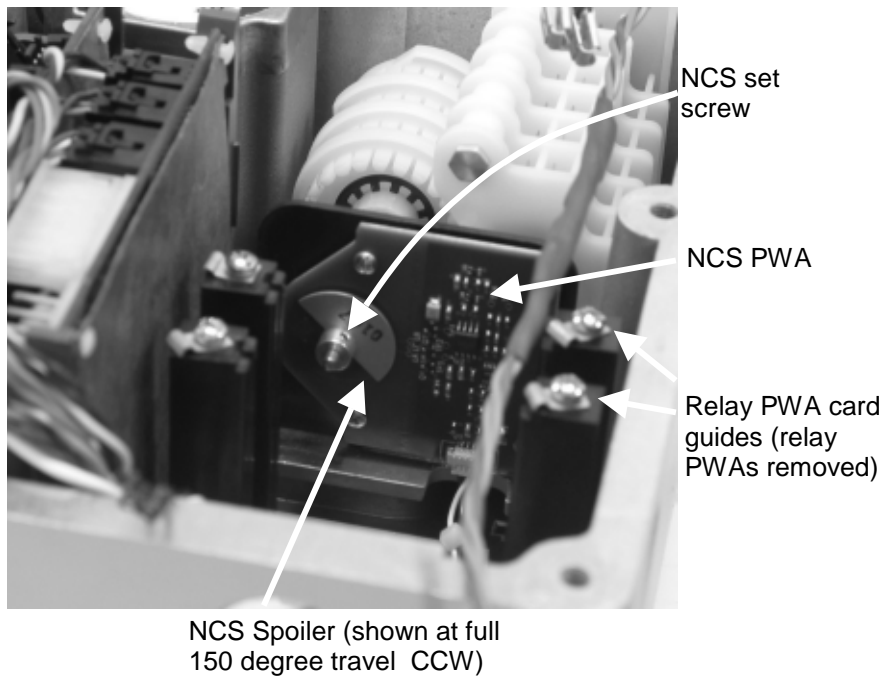


Figure 1 Local HMI (Display and Keypad)

## Non-Contact Sensor



**Figure 2 Non-Contact Sensor Assembly (HercuLine® 2002)**

## HercuLink® Computer Interface

HercuLink® Computer software enables access to programming and communication functions available as standard with the HercuLine® 2001 and 2002 actuators without the added expense of the keypad & display HMI. Using a Palm™ PDA, laptop PC or desktop computer, HercuLink® software, and a RS232/485 converter users may configure, calibrate, and access maintenance information locally or remotely to the actuator.

Using HercuLink® software the computer may be used as a master device over a Modbus network to access information to/from the actuators and to control the device. Set-up configurations may also be stored on the computer for download to other HercuLine® devices. Information may be stored on the users PC in CSV format for use in preventative maintenance programs.

- Certified on Palm™ m125, m130, and m505.
- Compatible with Palm OS3.5 or higher.
- Compatible with Windows 2000 or XP operating systems
- Minimum system requirements:
  - Windows 2000 (w/service pack 2), Windows NT (w/service pack 5), Windows ME, Windows XP
  - 200 MHz Pentium with 64 Megs Ram

Palm™ is a trademark of Palm, Inc.

HotSync® is a registered trademark of Palm Computing, Inc.

HercuLink® is a trademark of Honeywell

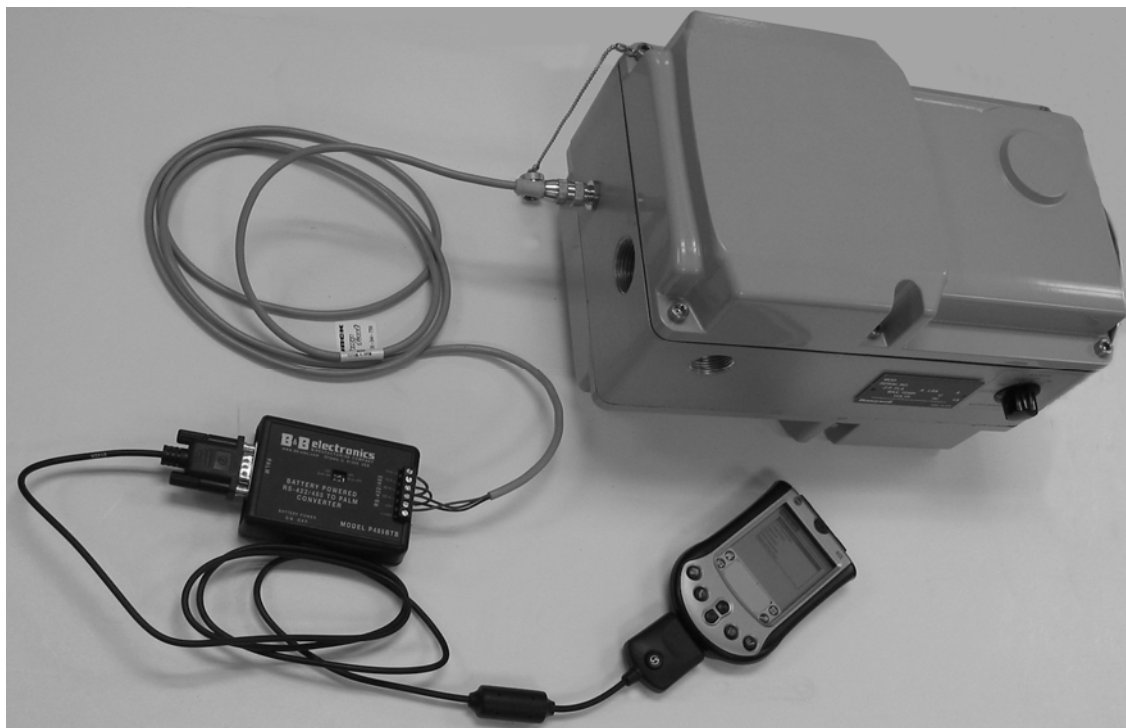


Figure 3 PDA connection

## Set Up/Configuration Parameters for Keypad & Display or HercuLink® Software

Configuration parameters are logically grouped and accessed using the local HMI. Actuator calibration is also accomplished through a simple procedure using the keypad. By pressing the SETUP button on the HMI, you can step through the set up groups that contain all of the configuration parameters. The table below summarizes the configuration parameters available within the various set up groups. Full details of all configuration parameters are found in the *HercuLine® 2000 Series Actuator Installation, Operation and Maintenance Manual*, document number 62-86-25-10.

Set Up Group	Configuration Parameter Selections/Settings																												
<p><b>SET INPUT</b>— Selects various parameters that define actuator operation.</p>	<table style="width: 100%; border: none;"> <tr> <td style="width: 50%;">IN TYP – Input Actuation Type</td> <td style="width: 50%;">FSFTYPH – FailsafeHI Type</td> </tr> <tr> <td>INP HI – Input High Range Value</td> <td>FsFVALH – FailsafeHI Value</td> </tr> <tr> <td>INP LO – Input Low Range Value</td> <td>FSFTYPL – FailsafeLO Type</td> </tr> <tr> <td>FILTYP – Input Filter Type</td> <td>FsFVALL – FailsafeLO Value</td> </tr> <tr> <td>LPFILT – Low Pass Filter Time Constant</td> <td>CHAR – Input Characterization Type</td> </tr> <tr> <td>Direct – Actuator Rotation</td> <td>CUST – Custom Characterization Type</td> </tr> <tr> <td>Dband – Input Deadband</td> <td></td> </tr> </table>	IN TYP – Input Actuation Type	FSFTYPH – FailsafeHI Type	INP HI – Input High Range Value	FsFVALH – FailsafeHI Value	INP LO – Input Low Range Value	FSFTYPL – FailsafeLO Type	FILTYP – Input Filter Type	FsFVALL – FailsafeLO Value	LPFILT – Low Pass Filter Time Constant	CHAR – Input Characterization Type	Direct – Actuator Rotation	CUST – Custom Characterization Type	Dband – Input Deadband															
IN TYP – Input Actuation Type	FSFTYPH – FailsafeHI Type																												
INP HI – Input High Range Value	FsFVALH – FailsafeHI Value																												
INP LO – Input Low Range Value	FSFTYPL – FailsafeLO Type																												
FILTYP – Input Filter Type	FsFVALL – FailsafeLO Value																												
LPFILT – Low Pass Filter Time Constant	CHAR – Input Characterization Type																												
Direct – Actuator Rotation	CUST – Custom Characterization Type																												
Dband – Input Deadband																													
<p><b>SET RELAY</b>— When the actuator is equipped with optional relays, this set up group allows you to set relay action for various actuator operating conditions. Contact closure can be wired to external annunciators or alarm points to indicate conditions for any of the Relay Types.</p>	<table style="width: 100%; border: none;"> <tr> <td style="width: 50%;">RTYPnn – Relay Type</td> <td style="width: 50%;">RnnVAL – Relay Value</td> </tr> <tr> <td style="padding-left: 20px;">Input Range</td> <td>Rnn HL – Relay High/Low</td> </tr> <tr> <td style="padding-left: 20px;">Position Range</td> <td>RLYnHY – Relay Hysteresis</td> </tr> <tr> <td style="padding-left: 20px;">Deviation</td> <td></td> </tr> <tr> <td style="padding-left: 20px;">Upper or Lower Limit Travel</td> <td></td> </tr> <tr> <td style="padding-left: 20px;">Temperature High or Low</td> <td></td> </tr> <tr> <td style="padding-left: 20px;">Cycle Count</td> <td></td> </tr> <tr> <td style="padding-left: 20px;">Motor Stalled</td> <td></td> </tr> <tr> <td style="padding-left: 20px;">Manual Mode</td> <td></td> </tr> <tr> <td style="padding-left: 20px;">Power Up Test Failure</td> <td></td> </tr> <tr> <td style="padding-left: 20px;">Input Signal Failure</td> <td></td> </tr> <tr> <td style="padding-left: 20px;">Position Sensor Signal Failure</td> <td></td> </tr> <tr> <td style="padding-left: 20px;">Digital Input Closure</td> <td></td> </tr> <tr> <td style="padding-left: 20px;">Total Degrees Traveled</td> <td></td> </tr> </table>	RTYPnn – Relay Type	RnnVAL – Relay Value	Input Range	Rnn HL – Relay High/Low	Position Range	RLYnHY – Relay Hysteresis	Deviation		Upper or Lower Limit Travel		Temperature High or Low		Cycle Count		Motor Stalled		Manual Mode		Power Up Test Failure		Input Signal Failure		Position Sensor Signal Failure		Digital Input Closure		Total Degrees Traveled	
RTYPnn – Relay Type	RnnVAL – Relay Value																												
Input Range	Rnn HL – Relay High/Low																												
Position Range	RLYnHY – Relay Hysteresis																												
Deviation																													
Upper or Lower Limit Travel																													
Temperature High or Low																													
Cycle Count																													
Motor Stalled																													
Manual Mode																													
Power Up Test Failure																													
Input Signal Failure																													
Position Sensor Signal Failure																													
Digital Input Closure																													
Total Degrees Traveled																													
<p><b>SET CUROUT</b>— Selects the current (or voltage) output range of the actuator.</p>	<table style="width: 100%; border: none;"> <tr> <td style="width: 33%;">CUROUT - Output Signal Range</td> <td style="width: 33%;"></td> <td style="width: 33%;"></td> </tr> <tr> <td style="padding-left: 40px;">4 – 20 mA</td> <td style="padding-left: 40px;">0 – 20 mA</td> <td rowspan="2" style="vertical-align: middle; text-align: center;">Or SWE</td> </tr> <tr> <td style="padding-left: 40px;">1 – 5 V</td> <td style="padding-left: 40px;">0 – 5 V</td> </tr> </table>	CUROUT - Output Signal Range			4 – 20 mA	0 – 20 mA	Or SWE	1 – 5 V	0 – 5 V																				
CUROUT - Output Signal Range																													
4 – 20 mA	0 – 20 mA	Or SWE																											
1 – 5 V	0 – 5 V																												
<p><b>SET COMM</b>— Actuator can be defined as a master or slave device on a Modbus RTU RS-485 loop. Operating setpoint can be transmitted to the actuator and operating status can be read when connected to supervisory control systems.</p>	<p>COMM – Communications Parameters</p> <p>ADDRES – Device Address</p> <p>BAUD – Baud Rate</p> <p>XmtDLY – Response Delay</p> <p>DBLBYT – Floating Point Data Format</p>																												
<p><b>SET DIGINP</b>— Selects digital input action upon contact closure.</p>	<p>DIGINP – Digital Input State</p> <p>Endpos – End Position Value</p>																												
<p><b>SET DISPLA</b>— Selects desired decimal places and engineering units for local display</p>	<p>DECMAL – Decimal Point Location</p> <p>EUNITS – Units Display</p> <p>UNITS – Display Units</p>																												
<p><b>CAL INPUT, MTR, CURENT</b>— If needed, field calibration of the actuator input, motor position and actuator output can be performed using the local keypad and display.</p>																													

Set Up Group	Configuration Parameter Selections/Settings	
<b>SET LOCK</b> — Enables lock out or access to selected set up group parameters and calibration values.	LOCKID – Set Security Password LOCK – Lock Out MAENAB – Mode button lockout	
<b>READ STATUS</b> — Displays failsafe condition and the results of various diagnostics performed during power up.	FAILSF – Failsafe RAMTST – RAM Test Diagnostic SEETST – Serial EEPROM Test Diagnostic	CFGTST – Configuration Test Diagnostic CALTST – Calibration Test Diagnostic
<b>SET DRVIN</b> — Allows access to actuator device information.	VERSION – Firmware Version SPEED – Stroke Speed POWER – Power Input Voltage and Line Frequency TAG – Tag Name	DMFG – Manufacturing Date LREP – Date of Last Repair LCAL – Date of Last Field Calibration REPTYP – Repair Type
<b>SET MAINT</b> — Allows access to parameters that monitor operating conditions.	TEMP – Actuator Temperature TEMPHI – High Temperature Limit TEMPLO – Low Temperature Limit ACSTA – Accumulated Stall Time STARTS – Accumulated Motor Starts RLnCNTS – Relay Cycle Counts	REGNn – Accumulated Motor Starts TOTDEG – Total degrees traveled MANRST – Reset Maintenance Statistics LD CAL – Restore Calibration LD CFG – Restore Configuration SYSRST – System Restart

### Specifications – General

Physical			
<b>Weight</b>	2000: 25 lb. (11.36 kg) 2001,2002: 27 lbs. (12.27 kg)		
<b>Enclosure</b>	Precision-machined die cast aluminum housing, finished in light gray powder coat epoxy.		
<b>Gear Train</b>	Alloy steel, high efficiency steel spur gear primary train. Precision ground, self-locking/self releasing worm gear final mesh.		
<b>Mechanical Stops</b>	Factory set at 90° or 150° (+/-5°).		
<b>Storage Temperature</b>	-40 °C to +93 °C (-40 °C to +200 °F)		
<b>Relative Humidity</b>	0 % to 99 % R.H. non-condensing over the full operating temperature range.		
<b>Scale</b>	0 % to 100 % corresponding to full crank arm travel.		
<b>Crank Arm</b>	Adjustable radii 1.0 in (25.4mm) to a maximum of 2.8 in (71.1mm). Position adjustable through 360° rotation.		
<b>Output Shaft</b>	0.625+/-0.005 in (15.88 +/-0.13mm) diameter (round)		
<b>Rotation</b>	90° or 150° degrees between 0 % and 100 % on scale, limited by mechanical stops.		
<b>Manual Hand wheel (option)</b>	Provides a means of positioning the actuator in the event of a power failure or set-up.		
<b>Lubrication</b>	Texaco Starplex 2 EP Grease		
<b>Output Torque/Full Travel Stroking Time</b>	<b>Torque lb-in (N M)</b>	<b>50 Hz (90°/150°)</b>	<b>60 Hz (90°/150°)</b>
	50 / (6.0)	4.5 / 7.5	4 / 6
	100 / (11.5)	9 / 15	7 / 12
	200 / (22.5)	18 / 30	15 / 25
	400 / (45.0)	36 / 60	30 / 50
	400 / (45.0)	54 / 90	45 / 75

Electrical	
<b>Mains Supply</b>	100-130 Vac single phase, 50 Hz or 60 Hz 200-240 Vac single phase, 50 Hz or 60 Hz
<b>Motor</b>	Instant start/stop, non-coasting, non-burnout, continuous duty, permanent magnet, synchronous induction motor. Can be stalled up to 100 hours without damage.
<b>Motor Current</b>	= No load = full load = locked rotor = 0.4 amp for 120Vac, 0.2 amp for 240 Vac
<b>Loss of Power</b>	Stays in place on loss of power
<b>Local Auto/Manual Switch</b>	Optional – Allows local and automatic operation of the actuator.
<b>End of travel Limit Switches</b>	Standard – adjustable to limit actuator travel to less than 90 or 150 degrees respectively
<b>Auxiliary Switches/Relays</b>	Optional – Up to 4 additional SPDT switches rated at (10 A at 125 Vac, 5 A at 250 Vac).
Certifications	
<b>Approvals</b>	CSA/UL (Standard) CE Compliant (optional)
<b>Enclosure Rating</b>	Type 4 (NEMA 4), IP66 (standard)
Torque Settings of Crank Arm Bolts	
<b>Clamp Bolt</b>	88 lb-in (10 N-m)

## Electrical and Performance Specifications HercuLine® 2000 Series

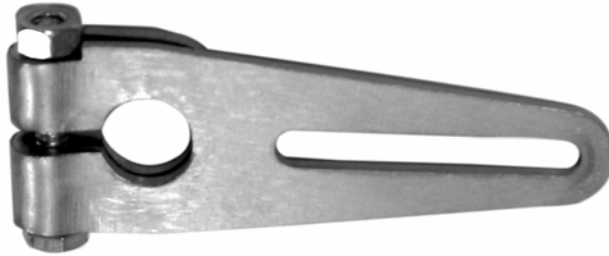
	HercuLine® 2002	HercuLine® 2001	Herculine® 2000
<b>Input Signals</b>	<b>Analog:</b> <ul style="list-style-type: none"> <li>• 0/4 to 20 mA (With CPU PWA jumper in current position)</li> <li>• 0/1 to 5 Vdc</li> <li>• 0 to 10 Vdc</li> </ul> <b>Digital:</b> <ul style="list-style-type: none"> <li>• Modbus RTU (RS485)</li> </ul>	<b>Analog:</b> <ul style="list-style-type: none"> <li>• 0/4 to 20 mA (With CPU PWA jumper in current position)</li> <li>• 0/1 to 5 Vdc</li> <li>• 0 to 10 Vdc</li> <li>• Series 90 control</li> </ul> <b>Digital:</b> <ul style="list-style-type: none"> <li>• Modbus RTU (RS485)</li> </ul>	120 Vac drive open/120 Vac drive close 240 Vac drive open/240 Vac drive close
<b>Isolation</b>	Input signal, output signal and power are isolated from each other.		NA
<b>Load Requirement (4-20)</b>	Current Out — 0 to 1000 ohms		NA
<b>Input Impedance</b>	0/4 to 20 mA 0/1 to 5 Vdc 0-10 Vdc	250 ohms 10 K ohms	NA
<b>Feedback</b>	0 to 20 mA, 4 to 20 mA 0 to 5 Vdc & 1 to 5 Vdc with 250 ohm resistor, (0 to 16 Vdc with 800 ohm resistor)		Dual output 1000 ohms over 90 degrees (135 ohms with 158 resistor) Dual output 1000 ohms over 150 degrees (135 ohms with 158 resistor)
	<b>Slidewire emulation</b> - Provides output voltage ratiometric to shaft position and potentiometric to supply voltage (1 Vdc to 18 Vdc) without a slidewire. Emulates a 100 ohm to 1000 ohm slidewire. 10 mA output maximum.		



	HercuLine® 2002	HercuLine® 2001	Herculine® 2000
<b>Communications</b>	Modbus RTU or optional HART™		NA
<b>Operating Temperature</b>	-40°C to +75 °C (-40°F to +170 °F)		-40°C to +85 °C (-40°F to +185 °F)
<b>Position sensing</b>	Non-contact position sensor	1000 ohm film potentiometer	Optional dual 1000 ohm film potentiometers
<b>Sensitivity</b>	0.2 % to 5 % of 90° span, proportional to deadband		NA
<b>Hysteresis</b>	Less than 0.4 % of full scale		NA
<b>Deadband</b>	0.2 % to 5 % of 90° span, programmable. Shipped at 0.5 %		NA
<b>Repeatability</b>	0.2 % of 90° span		NA
<b>Repositions (minimum @ 90 or 150 degree stroke)</b>			500
Table 1 option -050-	160	120	
Table 1 option -100-	290	250	
Table 1 option -200-	450	400	
Table 1 option -400-	700	400	
Table 1 option -600-	900	400	
<b>Voltage/ Supply Stability</b>	0.25 % of span with +10/-15 % voltage change		NA
<b>Temperature Coefficient</b>	Less than ± 0.030 % of span per degree C for 0 °C to 50 °C Less than ± 0.05 % of span per degree C for -40 °C to 75 °C		NA
<b>Zero Suppression</b>	90 % of span.		NA
<b>Input Filters</b>	Selectable spike and low pass filters.		NA
<b>Solid State Motor Control</b>	Two triac switches for clockwise or anti-clockwise motor operation. Transient voltage protection provided.		NA
<b>Failsafe operation</b>	If input signal exceeds configured input range. Selectable and adjustable.		NA
<b>Direction of Rotation</b>	Field programmable		Wire swap
<b>Duty Cycle</b>	Continuous		
<b>Programmable Functions</b>	Selectable and configurable operating parameters: <ul style="list-style-type: none"> <li>• Input range</li> <li>• Input filtering</li> <li>• Input characterization</li> <li>• Security</li> <li>• Digital Input action</li> <li>• Deadband</li> <li>• Failsafe on loss of input signal</li> <li>• Failsafe on loss of position sensor</li> <li>• Direction of rotation</li> <li>• Relay closure action</li> <li>• Communication parameters</li> <li>• Split range operation</li> <li>• Output range</li> <li>• Alarms</li> </ul>		NA

## Actuator Crank Arm

The HercuLine® 2000 Series Actuators come standard with a 2.8 inch (71.12mm) crank arm (Figure 4). The crank arm uses linkage kits (above). Adjustable radius (1.0 in (25.4mm) to 2.80 in (71.12mm)). Position adjustable through 360° rotation.



**Figure 4 Standard 2.8" (71.12mm) Crank Arm**



**Figure 5 Crank Arm with optional ball joint and push rod**

## Model Selection Guide

### Instructions

<ul style="list-style-type: none"> <li>• Select the desired key number. The arrow to the right marks the selection available.</li> <li>• Make the desired selections from Tables I thru VIII using the column below the arrow.</li> </ul> <p style="margin: 0;">A dot (•) denotes unrestricted availability.</p>																		
<p><b>Key Number</b></p> <table style="width: 100%; text-align: center; border-collapse: collapse;"> <tr> <td style="border: 1px solid black; width: 10%;">I</td> <td style="border: 1px solid black; width: 10%;">II</td> <td style="border: 1px solid black; width: 10%;">III</td> <td style="border: 1px solid black; width: 10%;">IV</td> <td style="border: 1px solid black; width: 10%;">V</td> <td style="border: 1px solid black; width: 10%;">VI</td> <td style="border: 1px solid black; width: 10%;">VII</td> <td style="border: 1px solid black; width: 10%;">VIII</td> <td style="border: 1px solid black; width: 10%;">IX</td> </tr> <tr> <td style="border: 1px solid black;">_ _ _ _</td> <td style="border: 1px solid black;">_ _ _ _</td> <td style="border: 1px solid black;">_ _ _ _</td> <td style="border: 1px solid black;">_ _ _ _</td> <td style="border: 1px solid black;">_ _ _</td> <td style="border: 1px solid black;">_ _ _ _ _</td> <td style="border: 1px solid black;">_ _</td> <td style="border: 1px solid black;">_ _</td> <td style="border: 1px solid black;">_ _</td> </tr> </table>	I	II	III	IV	V	VI	VII	VIII	IX	_ _ _ _	_ _ _ _	_ _ _ _	_ _ _ _	_ _ _	_ _ _ _ _	_ _	_ _	_ _
I	II	III	IV	V	VI	VII	VIII	IX										
_ _ _ _	_ _ _ _	_ _ _ _	_ _ _ _	_ _ _	_ _ _ _ _	_ _	_ _	_ _										

KEY NUMBER - Motor Selection	Selection	Availability			
Basic Motor Unit (no electronics)	2000	↓			
Basic Motor Unit plus Digital Electronics	2001		↓		
Enhanced Performance Motor Unit with Non-contact Position Sensing	2002			↓	
Unidirectional Motor (M640D Replacement)	2003				↓

**TABLE I - TORQUE & SPEED SELECTION (speed per 150 degree rotation)**

Torque, lb-in/(N-M)	50Hz	60Hz					
50 / (6.0)	7.5 sec	6 sec	050	•	•	•	
100 / (11.5)	15 sec	12 sec	100	•	•	•	•
200 / 22.5)	30 sec	25 sec	200	•	•	•	
400 / (45.0)	60 sec	50 sec	400	•	•	•	
400 / (45.0)	90 sec	75 sec	600	•	•	•	

**TABLE II - ROTATION**

Travel	90 degrees	090	•	•	•	
	150 degrees	150	•	•	•	
	360 degrees	360				•

**TABLE III - POWER SUPPLY**

Single Phase	100 - 130 Vac, 60 Hz	126	•	•	•	•
	100 - 130 Vac, 50 Hz	125	•	•	•	
	200 - 240 Vac, 60 Hz	246	•	•	•	
	200 - 240 Vac, 50 Hz	245	•	•	•	

**TABLE IV - ANALOG INPUT/OUTPUT SIGNALS**

Input	3 Wire Drive up/down	0 _ _	•			
	0/4-20 mA, 0/1-5 Vdc, 0-10 Vdc	2 _ _		•		
	0/4-20 mA, 0/1-5 Vdc, 0-10 Vdc	3 _ _			•	
	0 to 135 ohm input (Series 90 control)	4 _ _		a		
	Contact Input for 2003	6 _ _				•
Output	None	_ 00	•	•	•	•
(Note 1)	Dual 1000 Ohm (1000 ohms over 150 degrees)	_ 15	b			
(Note 1)	Dual 1000 Ohm (1000 ohms over 90 degrees)	_ 19	c			
	Slidewire Emulation	_ 60		•		
	Slidewire Emulation	_ 65			•	
	0/4-20mAdc (0/1-5 Vdc, 0-16 Vdc)	_ 80		•		
	0/4-20mAdc (0/1-5 Vdc, 0-16 Vdc)	_ 85			•	

**TABLE V - SWITCH AND RELAY OUTPUTS (2 end-of-travel switches are standard)**

Auxiliary Outputs	No Auxiliary Switches	0 _	•	•	•	
	2 Auxilliary Switches	2 _	•	•		•
	4 Auxilliary Switches	4 _	•	•		
Relay Outputs	No Relays	_ 0	•	•		•
	2 Programmable Relay Outputs	_ 2		•		
	2 Programmable Relay Outputs	_ 3			•	
	4 Programmable Relay Outputs	_ 4		•	•	

*continued*

2000 2001 2002 2003

**TABLE VI - OPTIONS**

		Selection	↓	↓	↓	↓
Local keypad/ display	No local display interface supplied <b>(Note 2)</b>	0_____	•	•	•	•
	Integrally mounted local display/keypad interface	1_____		•	•	
Local Auto/ manual switch	No auto/manual switch	_0_____	•	•		•
	Auto/manual switch with "Out of Auto Contact"	_1_____	•	•		
	Auto/manual switch with "Out of Auto Contact"	_2_____			•	
Handwheel	No Handwheel	__0___	•	•	•	•
	Handwheel	__1___	•	•	•	
Certificates	None	___0__	•	•	•	•
	Certificate of Conformance	___1__	•	•	•	•
Approvals	UL Type 4/IP66, CSA <b>(Note 4)</b>	___0__	•	•	•	•
	CE	___1__	•	•	•	
Shipped Rotation	Counter clockwise shaft rotation on increasing signal	___0__	•	•	•	•
	Clockwise shaft rotation on increasing signal	___1__	•	•	•	

**TABLE VII - COMMUNICATIONS/PROTOCOL**

None	No communications option board or protocol	0	•			•
Modbus RTU RS485	RS-485 Modbus compliant - standard with EEU	1		•	•	
HART 5	HART Communications Protocol	2		•	•	

**TABLE VIII - MANUALS**

Standard	English	0	•	•	•	•
----------	---------	---	---	---	---	---

**TABLE IX - FACTORY OPTIONS**

Factory Options	None	00	•	•	•	•
-----------------	------	----	---	---	---	---

**Restrictions**

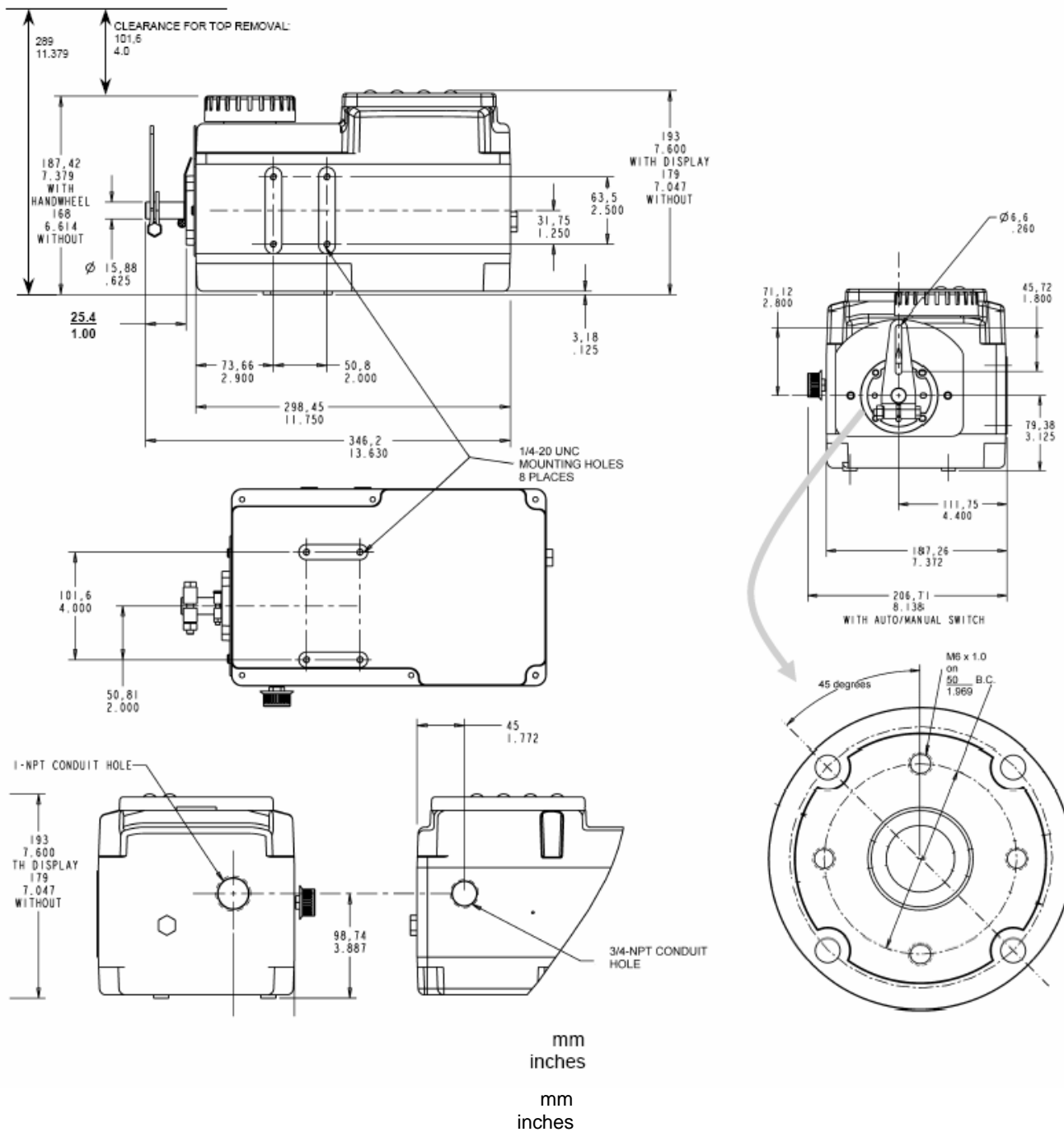
Restriction Letter	Available Only With		Not Available With	
	Table	Selection	Table	Selection
a	IV	_00	IV	_60, _80
b	II	150	II	090
c	II	090	II	150

**ACCESSORIES**

Mounting Hardware	Mounting plate adapter for Barber Colman Series MP495	51452354-501
	Mounting plate adapter for Landis & Staefa SQM53/56	51452354-502
	Direct Couple Valve Hardware	51452354-503
	North American Valve Retrofit Kit	51452354-511
Linkage Assembly	Ball joint for 5/16" dia. Pushrod	51452354-504
	Pushrod 12 in. (304,5 mm) long, 5/16 " dia.	51452354-505
	Pushrod 18 in. (457,2 mm) long, 5/16 " dia.	51452354-506
	Pushrod 24 in. 609,6 mm) long, 5/16 " dia.	51452354-507
	Pushrod 48 in. (1219,2 mm) long, 5/16 " dia.	51452354-508
HART	Turk Cable for Handheld Connection	51452352-501
Handheld Config. <b>(Note 3)</b>	HercuLink™ Palm Software	51452354-509
	Battery powered 232/485 converter with cable	51452354-510
Remote Mount Control	Remote 4-20 mA requires 135 ohm fdbk, 120V 50/60Hz	R7195A1031
	Remote 4-20 mA requires 1000 ohm fdbk, 120V 50/60Hz	R7195A1056
	Remote 4-20 mA requires 135 ohm fdbk, 220V 50/60Hz	R7195A1064
	Remote 135 ohm input requires 135 ohm fdbk, 120V 50/60Hz	R7195B1021

- Notes:**
- 135 ohm available by parallelling 1K potentiometer with 158 Ohm resistor (supplied).
  - HercuLink™ software (pn 51452354-509), RS232/485 converter (pn 51452354-510), customer supplied Palm™ PDA running OS3.5 or higher and Palm serial cable are required for the 2001 and 2002 actuators if no display is selected.
  - Requires PDA manufacturer's serial interface cable.
  - CSA approval is good for 75°C and a maximum relay load of 3.5 amps or 70°C with a relay load of 5 amps.

Outline Dimension Drawings



Actionator M640A, M740A, and M940A replacement

See Honeywell SalesNet at [http://il50hpr1.micro.honeywell.com/salesnet/supporting\\_docs/sales\\_tools/actionator\\_to\\_hl\\_xover.xls](http://il50hpr1.micro.honeywell.com/salesnet/supporting_docs/sales_tools/actionator_to_hl_xover.xls)

---

## Warranty/Remedy

---

Honeywell warrants goods of its manufacture as being free of defective materials and faulty workmanship. Contact your local sales office for warranty information. If warranted goods are returned to Honeywell during the period of coverage, Honeywell will repair or replace without charge those items it finds defective. The foregoing is Buyer's sole remedy and is **in lieu of all other warranties, expressed or implied, including those of merchantability and fitness for a particular purpose**. Specifications may change without notice. The information we supply is believed to be accurate and reliable as of this printing. However, we assume no responsibility for its use.

While we provide application assistance personally, through our literature and the Honeywell web site, it is up to the customer to determine the suitability of the product in the application.

For more information, contact Honeywell sales at (800) 343-0228.

Distributor :

---

**Honeywell**

**Industrial Measurement and Control**

Honeywell  
1100 Virginia Drive  
Fort Washington, PA