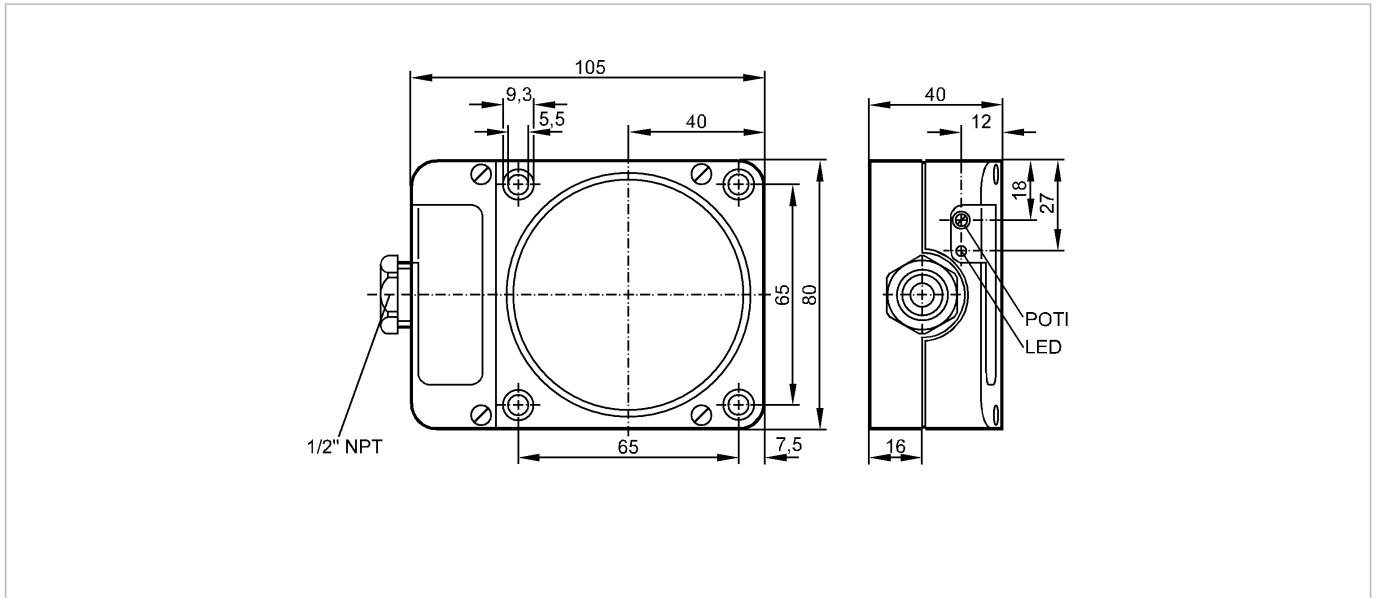


**ID0036**

IDE2060-FBOA/NPT/RT

**Inductive sensors**



**Product characteristics**

Inductive sensor
Rectangular, plastics
Terminals
Sensing range 60 mm; adjustable; [nf] non-flush mountable

**Electrical data**

Electrical design	AC/DC
Operating voltage [V]	20...250 AC/DC
Protection class	II
Reverse polarity protection	no

**Outputs**

Output function	normally open / closed programmable
Voltage drop [V]	< 6.5 AC/DC
Minimum load current [mA]	5
Leakage current [mA]	< 2.5 (250 V AC) / < 1.3 (110 V AC) / < 1 (24 V DC)

**Current rating**

- Current rating (continuous) [mA]	250 AC / 100 DC; 350 AC (...50 °C)
- Current rating (peak) [mA]	î: 2.2 A (20 ms / 0.5 Hz)
Short-circuit proof	no
Overload protection	no
Switching frequency [Hz]	4

**Monitoring range**

Sensing range [mm]	60, adjustable
Real sensing range (Sr) [mm]	60 ± 10 %
Operating distance [mm]	0...48.6

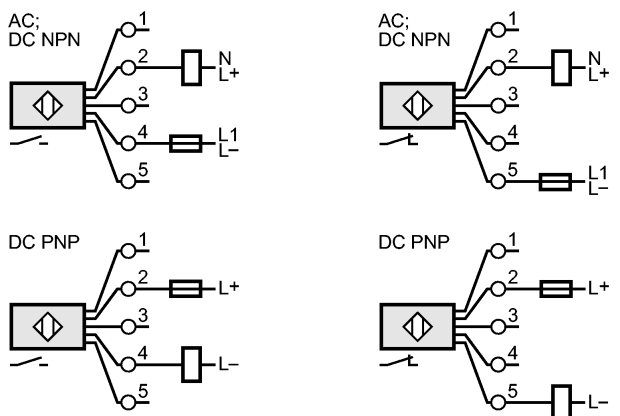
**Accuracy / deviations**

Correction factors	mild steel = 1 / stainless steel approx. 0.7 / brass approx. 0.4 / aluminium approx. 0.3 / copper approx. 0.2
Hysteresis [% of Sr]	1...15
Switch-point drift [% of Sr]	-10...10

**ID0036**

IDE2060-FBOA/NPT/RT

**Inductive sensors**

Environment		
Ambient temperature	[°C]	-25...80
Protection		IP 65
Tests / approvals		
EMC		EN 60947-5-2 EN 55011: class B
MTTF	[Years]	460
Mechanical data		
Mounting		non-flush mountable
Housing materials		PPE
Weight	[kg]	0.45
Displays / operating elements		
Output status indication	LED	red
Electrical connection		
Connection		terminals up to 2.5 mm <sup>2</sup> ; cable diameter 7...13 mm
<b>Wiring</b>		
		
<p>Note: miniature fuse to IEC60127-2 sheet 1, ≤ 2 A (fast acting)</p>		
Accessories		
Accessories (included)		screwdriver
Remarks		
Remarks		Recommendation: check the unit for reliable function after a short circuit.
Pack quantity	[piece]	1