



Luminaire disconnect connector; 2-pole

Item No.: 873-902



Luminaire disconnect connector; 2-pole

Marking

RoHS ✓
Compliant

Business data

Supplier	WAGO
Item no.	873-902
GTIN / EAN	4045454548421
Content	1
Order amount	40
Customer item number	

Notes

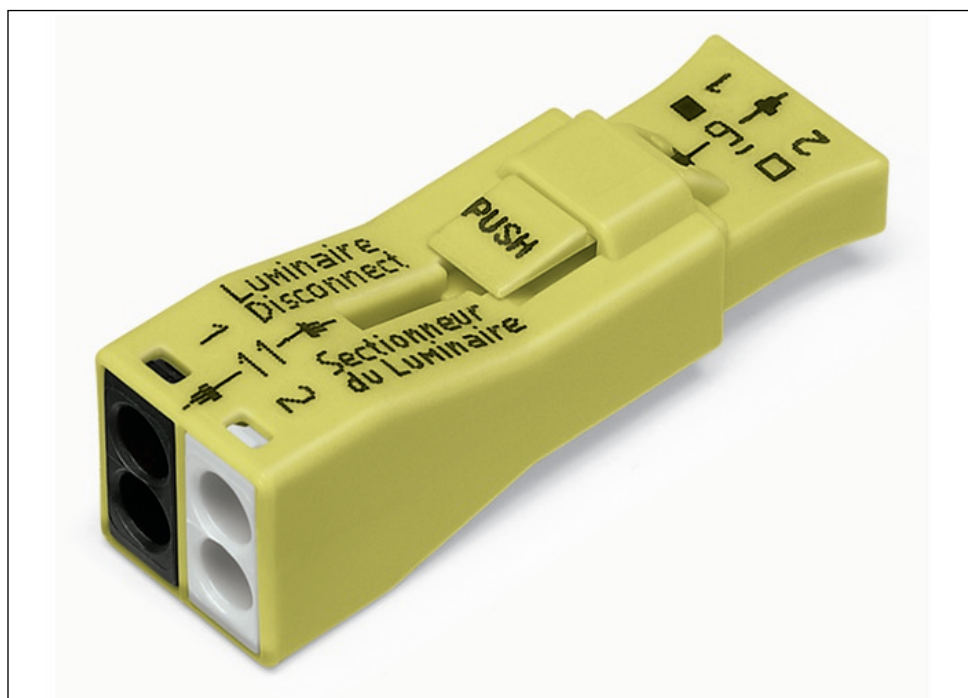
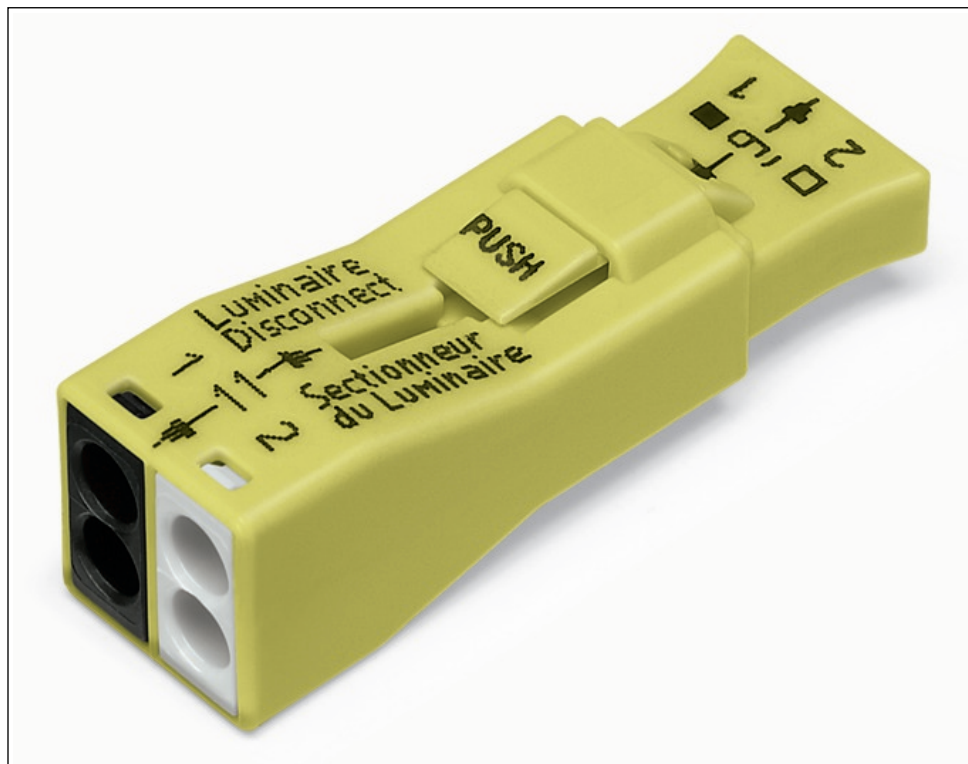
Technical data

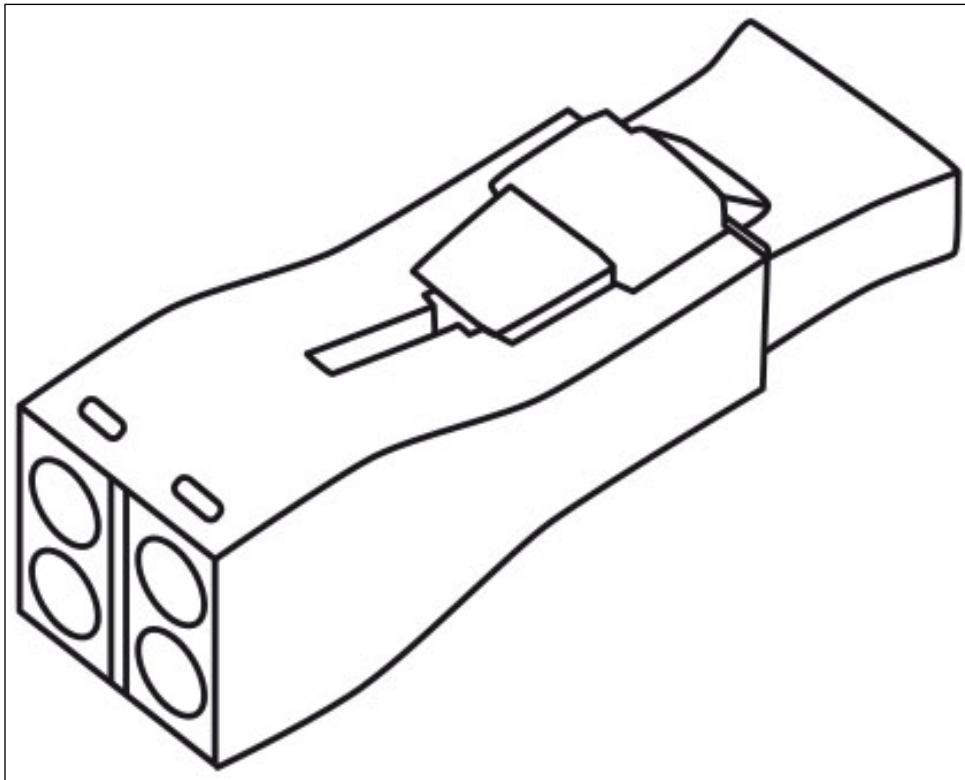
Miscellaneous

Packaging type	BOX
Ratings per	EN 60998
Ratings according to 2	EN 61984
Legend (ratings)	(II / 2) Overvoltage category II / Pollution degree 2
No. of poles	2
Total number of connection points	4

Technical data	
<i>Total number of potentials</i>	2
<i>Connection technology</i>	PUSH WIRE®
<i>Actuation type</i>	Push-in
<i>Connectable conductor materials</i>	Copper
<i>Solid conductor</i>	0.75 ... 0 mm ² / 18 ...
<i>Stranded conductor</i>	1.5 ... 4 mm ² / 16 ... 12 AWG
<i>Strip length</i>	11 ... 13 mm / 0.43 ... 0.51 Inch
<i>Strip length (2)</i>	9 ... 11 mm / 0.35 ... 0.43 Inch
<i>Solid conductor (3)</i>	0.75 ... 4 mm ² / 18 ... 12 AWG
<i>Width</i>	13 mm / 0.512 Inch
<i>Height</i>	13.2 mm / 0.52 Inch
<i>Depth</i>	42 mm / 1.654 Inch
<i>Color</i>	yellow
<i>Fire load [MJ]</i>	0.103 [MJ]
<i>Weight [g]</i>	4.763 [g]
<i>Main product function</i>	Leuchtensteckverbinder
<i>Product type</i>	Luminaire disconnect connectors

Images & drawings





Address

WAGO Kontakttechnik GmbH & Co. KG

Hansastr. 27

32423 Minden

Telefon: 0571/887-0

Fax: 0571/887-169

<http://www.wago.com>

© WAGO Kontakttechnik GmbH & Co. KG

Technische Änderungen und Irrtümer vorbehalten.