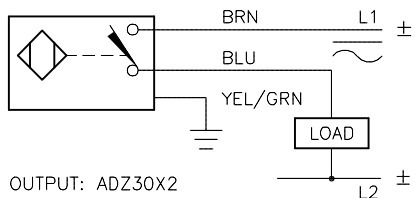


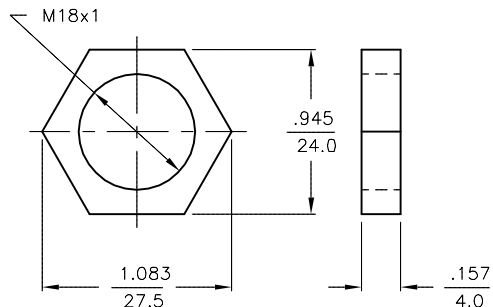
WIRING DIAGRAM



OUTPUT: ADZ30X2

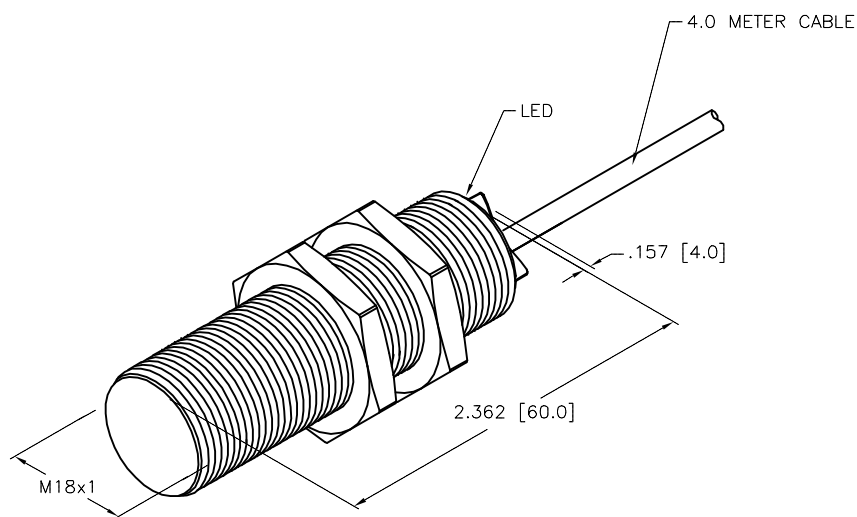
SHORT-CIRCUIT AND OVERLOAD PROTECTED

LOCKNUT LN-M18



SPECIFICATIONS

| | |
|-----------------------------------|---|
| RATED OPERATING DISTANCE | 5 mm = .197" |
| MOUNTING MODE | FLUSH |
| HYSTERESIS | 3-15% |
| MIN. REPEAT ACCURACY | ≤ 2% |
| TEMPERATURE DRIFT | ≤ ± 10% |
| OPERATING TEMPERATURE | -25°C to +70°C (-13°F to +158°F) |
| RATED OPERATIONAL VOLTAGE | 20-250 VAC/10-300 VDC |
| RATED OPERATIONAL CURRENT (AC/DC) | ≤ 400 mA/≤ 300 mA |
| MAINS FREQUENCY | 50-60 Hz |
| RESIDUAL CURRENT | ≤ 1.7 mA |
| RATED INSULATION VOLTAGE | ≤ 1.5 kV |
| SURGE CURRENT | ≤ 3.0 A (≤ 20 ms MAX. 5 Hz) |
| SHORT-CIRCUIT PROTECTED | YES |
| MAX. VOLTAGE DROP | ≤ 6.0 V |
| REVERSE POLARITY PROTECTION | INCORPORATED |
| WIRE-BREAK PROTECTION | INCORPORATED |
| OUTPUT FUNCTION | 2-WIRE, NORMALLY OPEN, AC/DC |
| SMALLEST OPERATING CURRENT | ≥ 3.0 mA |
| MAX. SWITCHING FREQUENCY | ≤ 0.03 kHz |
| HOUSING MATERIAL | METAL, BRASS (CHROME-PLATED) |
| ACTIVE FACE | PLASTIC, PA12-GF20 |
| CABLE | ∅5.2, PVC |
| SHOCK | 30 g, 11 ms |
| VIBRATION | 55 Hz, 1 mm AMPLITUDE (IN ALL 3 PLANES) |
| DEGREE OF PROTECTION | IP67 |
| OPERATING VOLTAGE DISPLAY | LED; GREEN |
| SWITCHING STATUS DISPLAY | LED; YELLOW |



SOURCE DRAWING - FOR REFERENCE ONLY

| | | | | | | | |
|------------------------------------|--|---|--|--|--|---|--|
| RELATED DOCUMENTS | | 3RD ANGLE PROJECTION | | THIS DRAWING IS CONFIDENTIAL AND THE PROPERTY OF TURCK INC. USE OF THIS DOCUMENT WITHOUT WRITTEN PERMISSION IS PROHIBITED. | | 3000 CAMPUS DRIVE MINNEAPOLIS, MN 55441 1-800-544-7769 (763) 553-7300 (763) 553-0708 fax turck.com | |
| 1. | | | | DRFT RDS | | DATE 11/18/15 | |
| 2. | | | | APVD A.F. | | SCALE 1=1.0 | |
| 3. | | ALL DIMENSIONS DISPLAYED ON THIS DRAWING ARE FOR REFERENCE ONLY | | UNIT OF MEASUREMENT | | DESCRIPTION | |
| 4. | | | | INCH [MILLIMETER] | | BI 5-G18-ADZ30X2 4M | |
| MATERIAL | | SEE SPECS | | IDENTIFICATION NO. | | REV | |
| FINISH | | SEE SPECS | | T4212097 | | A | |
| CONTACT TURCK FOR MORE INFORMATION | | DO NOT SCALE THIS DRAWING | | FILE: T4212097 | | SHEET 1 OF 1 | |

| | | | | |
|-----|-----------------|-----|----------|---------|
| A | DRAWING RELEASE | RDS | 11/18/15 | |
| REV | DESCRIPTION | BY | DATE | ECO NO. |