

# CURRENT TRANSFORMERS

## SOLID CORE CURRENT TRANSFORMER

MODEL 2SFT

### FEATURES

- UL Recognized
- Window I.D. - 1.13"
- Use with Ammeters

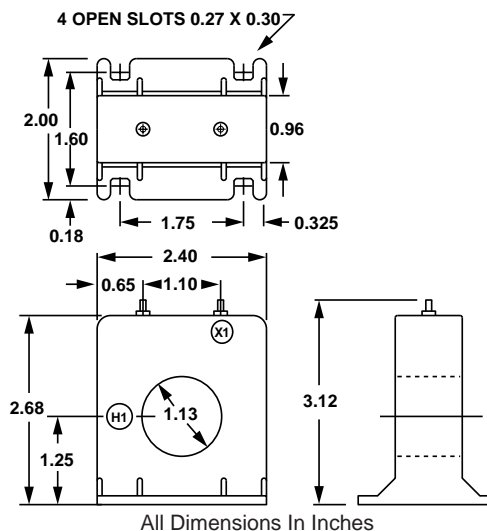
### SPECIFICATIONS

Frequency ..... 50-400Hz  
 Insulation Class ..... 0.6kV, 10kV BIL Full Wave  
 Rating Factor ..... 1.0@30°C  
 Weight ..... Approximately 0.5 Lb.  
 Terminals ..... Brass Studs No. 8-32 UNC  
 with one flat washer, lock washer and regular nut.

600V CLASS



### MODEL 2SFT DIMENSIONS



APPLICATION AND ORDERING DATA			
CATALOG NUMBER	CURRENT RATIO	ACCURACY AT 60 Hz	BURDEN VA AT 60 Hz
2SFT-500	50:5	± 3%	2.0
2SFT-600	60:5	± 2%	2.0
2SFT-750	75:5	± 2%	2.0
2SFT-800	80:5	± 2%	2.0
2SFT-101	100:5	± 1%	2.0
2SFT-151	150:5	± 1%	4.0
2SFT-201	200:5	± 1%	4.0
2SFT-301	300:5	± 1%	8.0
2SFT-401	400:5	± 1%	10.0

# SOLID CORE CURRENT TRANSFORMER

MODEL 5SFT

### FEATURES

- UL Recognized
- Window I.D. - 1.56"
- Use with Ammeters, Watt Meters and cross current compensation

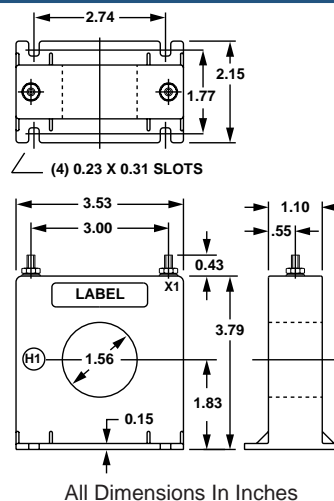
### SPECIFICATIONS

Frequency ..... 50-400Hz  
 Insulation Class ..... 0.6kV, 10kV BIL Full Wave  
 Weight ..... Approximately 1.0 Lb.  
 Terminals ..... Brass Studs No. 8-32 UNC  
 with one flat washer, lock washer and regular nut.

600V CLASS



### MODEL 5SFT DIMENSIONS



APPLICATION AND ORDERING DATA			
CATALOG NUMBER	CURRENT RATIO	ACCURACY AT 60 Hz	BURDEN VA AT 60 Hz
5SFT-101	100:5	± 1%	2.0
5SFT-151	150:5	± 1%	5.0
5SFT-201	200:5	± 1%	5.0
5SFT-251	250:5	± 1%	10.0
5SFT-301	300:5	± 1%	12.5
5SFT-401	400:5	± 1%	12.5
5SFT-501	500:5	± 1%	20.0
5SFT-601	600:5	± 1%	25.0

**FLEX-CORE®**

Div. Morlan & Associates, Inc.

4970 Scioto Darby Rd. Hilliard, Ohio 43026

WWW.FLEX-CORE.COM

sales@flex-core.com

PHONE (614) 889-6152

TECH. ASSISTANCE (614) 876-8308

FAX # (614) 876-8538