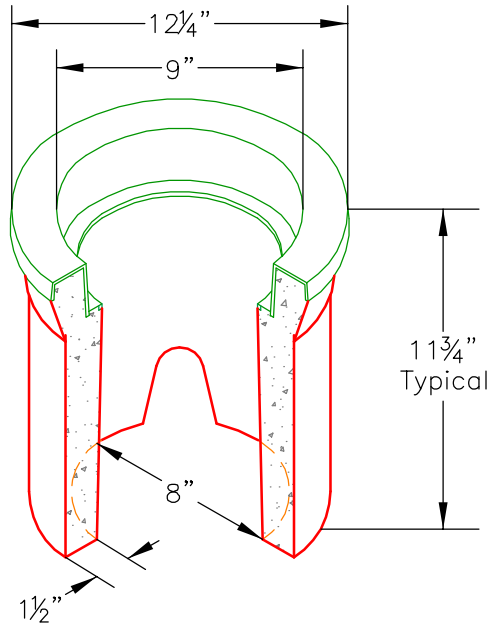
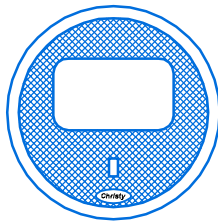
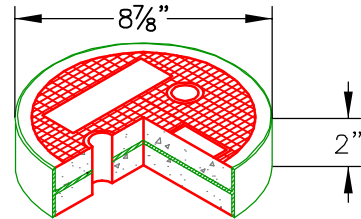


- Etched polypropylene face
- Face anchored in concrete
- Ultra-violet inhibitor
- Exceeds ASTM-D1693 Standards for Environmental Stress Cracking Resistance

CURB VALVE BOX
No. F08BOX
34 lbs.



REINFORCED CONCRETE LID
No. F08R
8 lbs.



FL08D



F08C



V01-71C

A high density reinforced concrete box with non-settling shoulders positioned to maintain grade and facilitate back filling. Approximate dimensions and weight shown.

Ordering Code	Item	Approx. Shipping Weight	Description
F08BOX	BOX	34	F08 Curb Valve Box (8" I.D. x 11 3/4" high)– 48 per pallet
F08R	LID	8	Reinforced concrete with plastic ring
F08C	LID	8	Cast iron
FL08D	LID	2	Fibrelite lid, non-concrete
V01-71C	GRATE	12	Cast iron



Oldcastle Precast®
Enclosure Solutions

MADERA/TRACY/ROSEVILLE/PHOENIX
 Phone: (800) 486-7070 Fax: (800) 486-6804
 Copyright © 2009 Oldcastle Precast Inc.

F08 BOX (STANDARD)

FILE NAME: F08_ISO

ISSUE DATE: January, 2009

www.oldcastleprecast.com

F08 CURB VALVE BOX
8" I.D. x 11-3/4"

