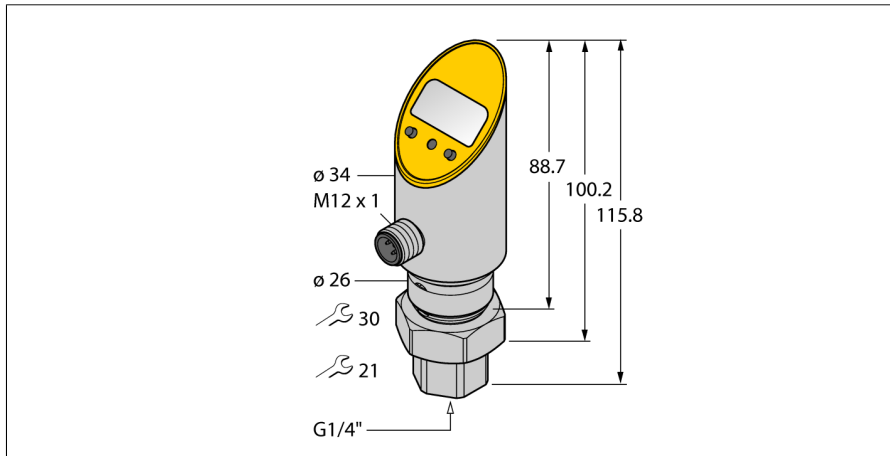
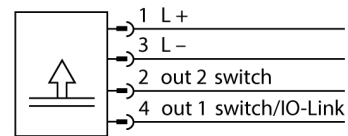


Pressure transmitter (rotatable)
2 PNP/NPN transistor switching outputs
PS250R-501-2UPN8X-H1141



- Housing is rotatable after plugging the process connection
- Reading of adjusted values without tool
- Recessed pushbutton and keylock for secure programming
- Permanent indication of pressure (bar, psi, kPa, MPa, misc)
- Peak pressure memory
- Pressure range 0...250 bar rel.

Wiring Diagram



Functional principle

The pressure sensors of the PS series operate with piezo-resistive ceramic measuring cells. The ceramic diaphragm is unbalanced in proportion to the pressure applied. Depending on the sensor type, the voltage produced is made available either as switching or analog output signal. Non-rotatable and rotatable sensors, numerous thread types, front-flush or dead-zone free diaphragms and an accuracy of 0.5% of full scale guarantee highest flexibility and safe process interfacing.

| | |
|--|--|
| Type designation | PS250R-501-2UPN8X-H1141 |
| Ident-No. | 6832633 |
| Pressure range | |
| Relative pressure | 0...250 bar rel. 0...3626 psi 0...25 MPa |
| Admissible overpressure | ≤ 500 bar |
| Burst pressure | ≥ 500 bar |
| Response time | < 3 ms |
| Power supply | |
| Operating voltage | 18...30 VDC |
| Current consumption | ≤ 50 mA |
| Voltage drop at I _e | ≤ 2 V |
| Protective measure | SELV; PELV according to EN 50178 |
| Short-circuit/reverse polarity protection | yes / yes |
| Protection type and class | IP67 / IP69K / III |
| Outputs | |
| Output 1 | Switching output or IO-Link mode |
| Output 2 | switching output |
| Switching output | |
| Output function | NO/NC, PNP/NPN |
| Accuracy switching output | ± 0.5 % v. E. BSL |
| Rated operational current | 0.2 A |
| Switching frequency | ≤ 180 Hz |
| Switching point distance | ≥ 0.5 % |
| Switch point: | (min + 0.005 x range) up to 100% f.s. |
| Release point(s) | min up to (SP - 0.005 x range) |
| Switching cycles | ≥ 100 mil. |
| IO-Link | |
| IO-Link Specification | Specified acc. to version 1.0 |
| Programming | FDT / DTM |
| Transmission physics | corresponds to 3-wire physics (PHY2) |
| Transmission rate | COM 2 / 38.4 kbps |
| Process data width | 16 bit |
| Measured value information | 14 bit |
| Switchpoint information | 2 bit |
| Frame type | 2.2 |
| Genauigkeit | ± 0.5 % of final value BSL |
| Temperature behaviour | |
| Medium temperature | -40...+85 °C |
| Temperature coefficient zero point Tk0 | ± 0.15 % of full scale/10 K |
| Temperature coefficient span T _{is} | ± 0.15 % of full scale/10 K |

Pressure transmitter (rotatable)
2 PNP/NPN transistor switching outputs
PS250R-501-2UPN8X-H1141

Ambient conditions

| | |
|----------------------|---|
| Ambient temperature | -40...+80 °C |
| Storage temperature | -40...+80 °C |
| Vibration resistance | 20 g (9...2000 Hz), according to IEC 68-2-6 |
| Shock resistance | 50 g (11 ms) , acc. to IEC 68-2-27 |
| EMC | EN 61000-4-2 ESD:4 kV CD / 8 kV AD EN 61000-4-3 HF radiated: 15 V/m EN 61000-4-4 Burst: 2 kV EN 61000-4-5 Surge: 1000 V, 42 Ohm EN 61000-4-6 HF cable bound: 10 V |

Housing

| | |
|--|---|
| Housing material | Stainless-steel/Plastic, V2A (1.4305) |
| Pressure connection material | Stainless steel A2 1.4305 (AISI 303) |
| Pressure transducer material | Ceramics Al ₂ O ₃ |
| Sealing material | FPM spez. |
| Process connection | G $\frac{1}{4}$ " female thread |
| Wrench size pressure connection / coupling nut | 21/ 30 |
| Electrical connection | Connector, M12 × 1 |
| Max. tightening torque housing nut | 35 Nm |

Reference conditions acc. to IEC 61298-1

| | |
|----------------------|---------------------|
| Temperature | 15...+25 °C |
| Atmospheric pressure | 860...1060 hPa abs. |
| Humidity | 45...75 % rel. |
| Auxiliary power | 24 VDC |

Display

| | |
|---------------------|---|
| | 4-digit 7-segment display, rotatable by 180°, disengageable |
| Switching state | 2 × LEDs, Yellow |
| Programming options | switch/release point, PNP/NPN; NO/NC; hysteresis/window mode, muting; pressure unit, peak pressure memory |
| Unit display | 5 x LEDs green (bar, psi, kPa, MPa, misc) |

MTTF

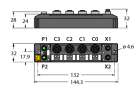
439 years acc. to SN 29500 (Ed. 99) 40 °C

**Pressure transmitter (rotatable)
2 PNP/NPN transistor switching outputs
PS250R-501-2UPN8X-H1141**

Accessories

| Type code | Ident-No. | Description | |
|-----------|-----------|-------------|---|
| PTS-COVER | A9350 | Closure cap |  |

Function accessories

| Type code | Ident-No. | Description | |
|--------------|-----------|--|---|
| TBEN-S2-4IOL | 6814024 | Compact multiprotocol I/O module, 4 IO-Link Master 1.1 Class A, 4 universal PNP digital channels 0.5 A |  |