



Small, general purpose lighting that's pocket friendly.

Color: Bronze

Weight: 3.4 lbs

Project:

Type:

Prepared By:

Date:

Driver Info

Type	Constant Current
120V	0.5A
208V	N/A
240V	N/A
277V	N/A
Input Watts	55.30W

LED Info

Watts	52W
Color Temp	5000K (Cool)
Color Accuracy	83 CRI
L70 Lifespan	50,000
Lumens	5,514
Efficacy	99.7 LPW

Technical Specifications

Listings

UL Listed:

Suitable for wet locations. Suitable for ground mounting.

IESNA LM-79 & LM-80 Testing:

RAB LED luminaires and LED components have been tested by an independent laboratory in accordance with IESNA LM-79 and LM-80.

DLC Listed:

This product is on the Design Lights Consortium (DLC) Qualified Products List and is eligible for rebates from DLC Member Utilities. DLC Product Code: PW8AKYYE

Electrical

Driver:

Constant Current, 120V, 60 Hz, 120V: 0.466A

THD:

14.6% at 120V

Power Factor:

98.9% at 120V

Surge Protection:

2kV

Note:

All values are typical (tolerance +/- 10%)

Optical

NEMA Type:

NEMA Beam Spread of 7H x 7V

LED Characteristics

LEDs:

Long-life, high-efficacy, surface-mount LEDs

Lifespan:

50,000-hour LED lifespan based on IES LM-80 results and TM-21 calculations

Color Uniformity:

RAB's range of Correlated Color Temperature follows the guidelines of the American National Standard for Specifications for the Chromaticity of Solid State Lighting (SSL) Products, ANSI C78.377-2017.

Construction

IP Rating:

Ingress Protection rating of IP65 for dust and water

Cold Weather Starting:

Minimum starting temperature is -40°C (-40°F)

Maximum Ambient Temperature:

Suitable for use in 40°C (104°F)

Housing:

Die-cast aluminum

Mounting:

Robust knuckle mount with 180° adjustable swivel arm. Tilt angle in 10° increments.

Lens:

Tempered glass

Finish:

Formulated for high durability and long-lasting color

Green Technology:

Mercury and UV free. RoHS-compliant components.

Technical Specifications (continued)

Other

Equivalency:

Equivalent to 175W Metal Halide

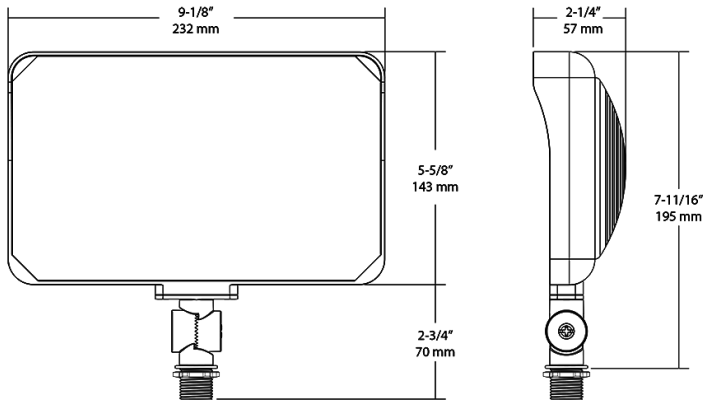
5 Yr Limited Warranty:

The RAB 5-year, limited warranty covers light output, driver performance and paint finish. RAB's warranty is subject to all terms and conditions found at rablighting.com/warranty.

Buy American Act Compliance:

RAB values USA manufacturing! Upon request, RAB may be able to manufacture this product to be compliant with the Buy American Act (BAA). Please contact customer service to request a quote for the product to be made BAA compliant.

Dimensions



Features

- General purpose floodlight
- Very wide 7H x 7V NEMA distribution
- Low profile and lightweight
- IP65 rating protects against dust and water

Ordering Matrix

Family	Lumen Packages (values are nominal)	Mounting	CRI/Color Temp	Driver/Voltage
X34	55L	Blank = Knuckle Mount	Blank = 80 CRI, 5000K -830 = 80 CRI, 3000K	/120 = 120V /277 = 277V
	16L = 1600 Lumens, 15W 25L = 2500 Lumens, 25W 35L = 3500 Lumens, 35W 55L = 5500 Lumens, 55W 65L = 6500 Lumens, 64W			