

Kraloy JBox Hinged Cover

Junction boxes and enclosures form an integral part of a circuit protection system and are constructed to provide a degree of protection to personnel against incidental contact with the enclosed equipment and to provide a degree of protection to the enclosed equipment against specified environmental conditions. JBXH boxes are molded of PVC, are entirely non-metallic and provide NEMA Type 1, 2, 3R, 4, 4X, 12, 13 protection.

APPLICATION / USE


JBXH junction boxes are designed and approved for use in indoor/outdoor, industrial, MRO and OEM applications for the accessibility and installation of wire and cable in continuous lengths and to enclose joints and splices.

JBXH hinged cover junction boxes can also be used to enclose electrical equipment in non-hazardous locations. The use of a hinged cover box allows for easy access to installed components and protects the contents from the environment.

MATERIAL

PVC, Valox, proprietary gasket 8" - 12"
Neoprene gasket 14" - 16"

STANDARDS

UL 50/50E, CSA 94.1/94.2, 
CSA C22.2 No.85, CSA C22.2 No.40

FLAMABILITY RATING

UL 94V-0

OUTDOOR SUITABILITY

UL 746C

OPERATING TEMPERATURE

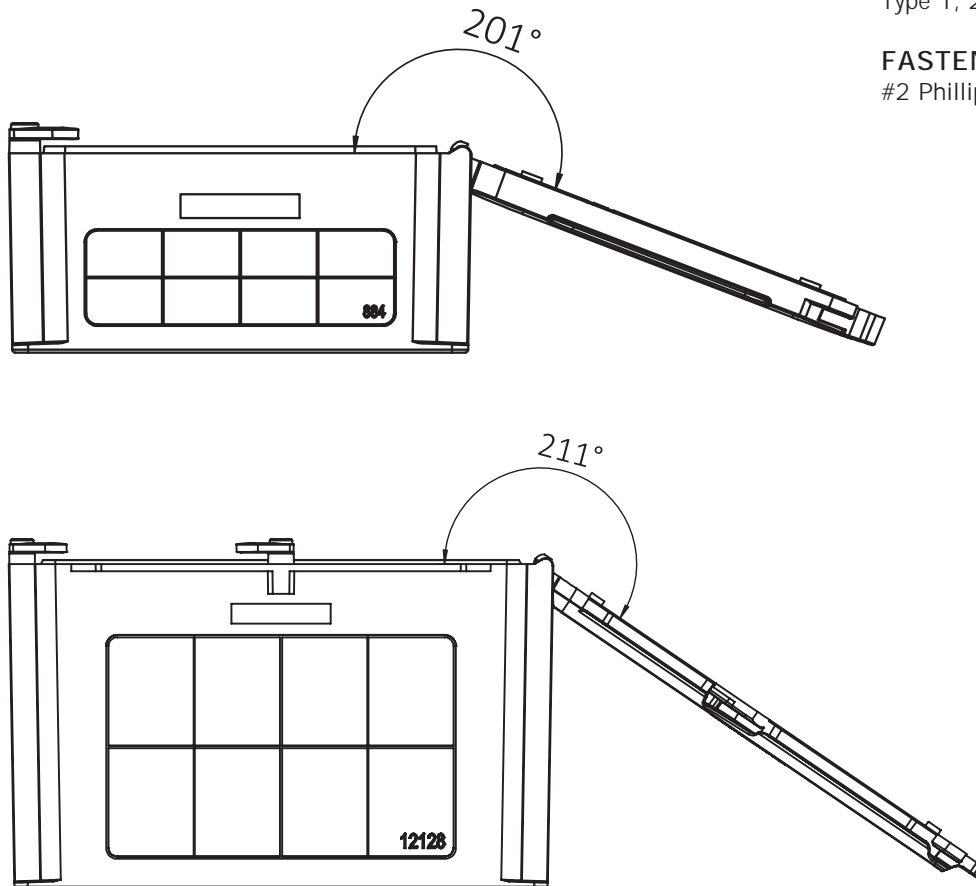
-40°C to 50°C

NEMA

Type 1, 2, 3R, 4, 4X, 12, 13

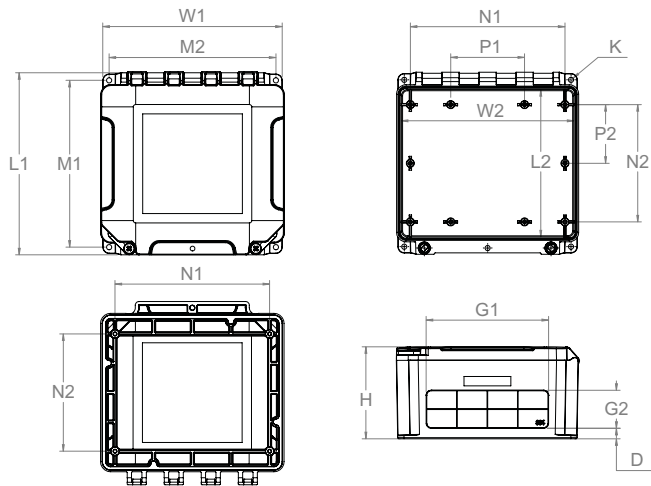
FASTENER TOOL

#2 Phillips screwdriver

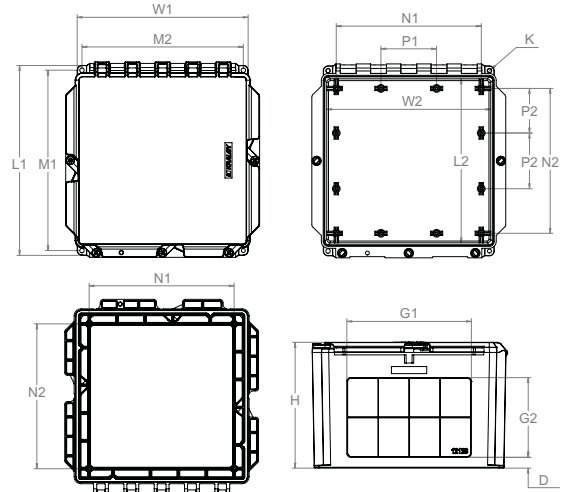


Kraloy JBox w Hinged Cover 8" to 16"

Size inches	Part Number	Product Code	Box Volume cu.in	Box Volume ml	L1	W1	L2	W2	H	M1	M2	G1	G2	N1	N2	P1	P2	D	K
8x8x4	JBXH884	278400	293.19	4,805	9.58	9.58	7.86	9.2	4.9	8.9	8.9	6.47	1.97	8.25	6.26	3.94	3.13	0.59	0.28
8x8x7	JBXH887	278401	506.97	8,308	9.47	9.47	7.86	9.2	7.9	8.9	8.9	6.22	4.65	8.25	6.26	3.94	3.13	0.75	0.28
12x10x6	JBXH12106	278402	682.15	1,120	11.51	12.17	9.67	11.67	6.9	10.8	11.49	8.03	3.78	10.25	8.26	3.94	2.16	0.67	0.28
12x12x4	JBXH12124	278403	548.26	8,984	13.58	12.24	11.74	11.74	4.9	12.9	11.56	9.28	2.03	10.26	10.25	3.94	3.13	0.56	0.28
12x12x6	JBXH12126	278404	822.21	13,474	13.51	12.17	11.74	11.74	6.9	12.83	11.49	9.03	3.78	10.26	10.25	3.94	3.13	0.67	0.28
12x12x8	JBXH12128	278405	1092.9	17,909	13.44	12.10	11.74	11.74	8.9	12.76	11.42	8.81	5.64	10.26	10.25	3.94	3.13	0.76	0.28
14x14x8	JBXH14148	278406	1535.0	25,200	15.72	14.39	13.80	13.80	9.1	15.10	13.70	11.05	5.69	12.25	10.26	3.94	3.16	0.83	0.33
14x14x10	JBXH141410	278407	1916.0	31,400	15.66	14.32	13.80	13.80	11.1	14.98	13.64	11.05	7.55	12.25	10.26	3.94	3.16	0.83	0.33
16x16x10	JBXH161610	278408	2520.0	41,300	17.64	16.30	15.71	15.71	11.1	17.0	15.60	12.55	7.55	14.25	12.26	4.71	4.09	0.83	0.33



JBXH884 - JBXH887



JBXH12106 - JBXH161610