

d000186hb



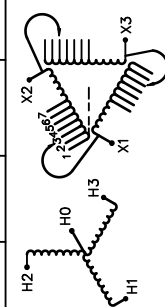
HPS Sentinel® G
 Energy Efficient Distribution Transformer
 Transformateur de Distribution à Bon Rendement Énergétique

Hammond Power Solutions
 Guelph, ONT Compton, CA
 Baraboo, WI Monterrey, MX
 Part No. SG3A0015BK

Serial No. []
 No. de Serie []
 HV/HT 480Y/277V
 BIL 10 kV
 Term Bornes H0 H1 H2 H3
 LV/BT 208V
 BIL 10 kV
 Term Bornes X1 X2 X3
 Energy Regulations DOE 10 CFR PART 431:2016
 Règlements Énergétique CEE ACT SOR/2018-201

SPACINGS BETWEEN ANY VENTILATED ENCLOSURE PANEL AND ANY ADJACENT WALL SHALL BE A MINIMUM OF 3 INCHES
 TRANSFORMER SUITABLE FOR STEP UP OPERATION ONLY

VOLTS	CURRENT COURANT	% RATED VOLTAGE % TENSION NOMINALE	CONNECTION EACH PHASE CONNECTION PAR PHASE
218	39.7	105	1
213	40.6	102.5	2
208	41.6	100	3
203	42.7	97.5	4
198	43.8	95	5
192	45.0	92.5	6
187	46.3	90	7



Cust. Ref. Ref. du Client	[]
Phase	3
Type	K
Cooling Refroidissement	ANN
kVA	15
Temp. Rise Échauffement	150 °C
Temp Class Classe Temp	220 °C
Winding Enroulement	AL
Frequency Fréquence Hz	60
Impedance % @ 170 °C	4.5
Encl. Type Type de Coffrage	3R
Wt. LBS Poids en lbs	180

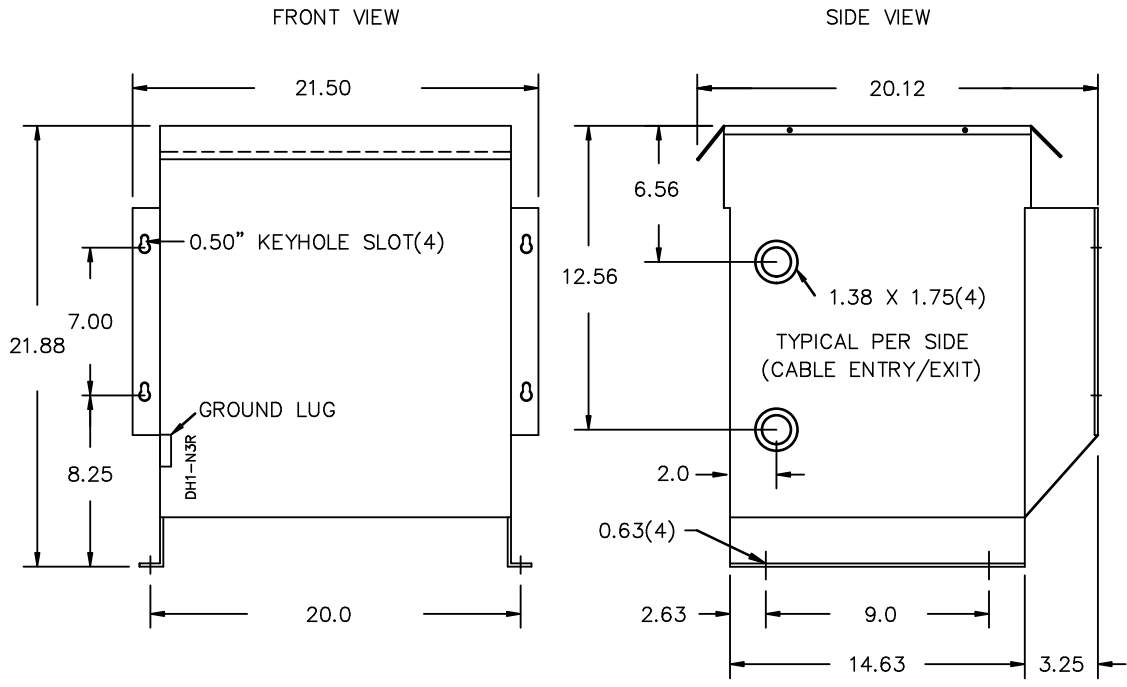
SEISMIC QUALIFICATIONS:
 OSP=01.36-10/IBC 2018/ASCE 7-16
 SDS<=2.0g Z/h=1 Ip=1.5



Hammond Power Solutions Inc.

TITLE: 3PH DISTRIBUTION TRANSFORMER NAMEPLATE INFORMATION			
NO.	DATE	BY	REVISION
2	20/03/17	PP	SEISMIC UPDATE
1	17/04/03	JW	ADDED ENCL BOTTOM DRAWING
DES: JWEN		DATE: 15/11/09	
SCALE: NTS			

SHEET 1 OF 3
 EDBSG3A0015BK
 2.0 jwen 2020/05/12 09:34



All Dimensions in inches

ENCLOSURE COLOR : ANSI-61 GREY PAINT OUTDOOR

H.V.1. TERMINAL DETAIL

L.V.1. TERMINAL DETAIL

MECHANICAL TYPE LUGS INCLUDED
SUITABLE FOR #14-2 CU/AL
CONDUCTORS
1 CONDUCTOR PER PHASE

MECHANICAL TYPE LUGS INCLUDED
SUITABLE FOR #14-2 CU/AL
CONDUCTORS
1 CONDUCTOR PER PHASE

CUSTOMER NOTES:

- HV1 TERMINATED AT BOTTOM FRONT
- LV1 TERMINATED AT TOP FRONT



TITLE: 3PH DISTRIBUTION TRANSFORMER

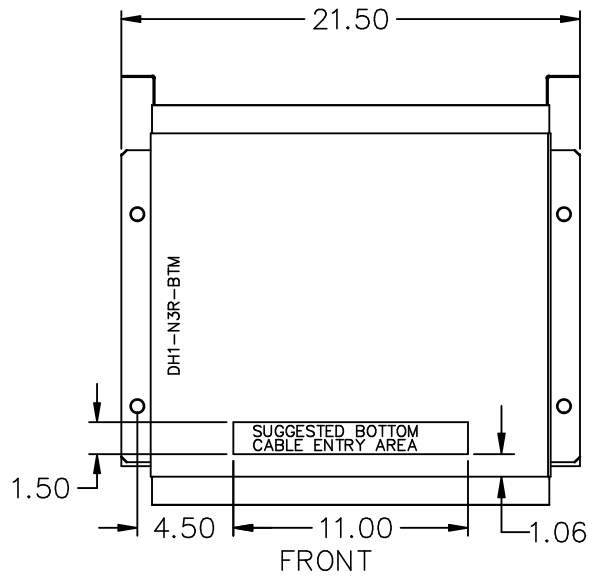
2	20/03/17	PP	SEISMIC UPDATE	DES: JWEN
1	17/04/03	JW	ADDED ENCL BOTTOM DRAWING	DATE: 15/11/09
NO.	DATE	BY	REVISION	SCALE: NTS

SHEET 2 OF 3

EDBSG3A0015BK

2.0 jwen 2020/05/12 09:34

ENCLOSURE BOTTOM VIEW



NOTE:
 WHEN BOTTOM CABLE ENTRY IS OPTED, THE SPACE USED FOR CONDUITS IN THE FRONT OF THE TRANSFORMER SHOULD NOT OBSTRUCT MORE THAN 50% OF THE FRONT AIR INTAKE AREA DEFINED BETWEEN THE BOTTOM PLATE AND THE SUPPORTING LEGS.
 SEE MANUAL FOR ADDITIONAL INFORMATION



TITLE: 3PH DISTRIBUTION TRANSFORMER
 ENCLOSURE BOTTOM VIEW

2	20/03/17	PP	SEISMIC UPDATE	DES: JWEN
1	17/04/03	JW	ADDED ENCL BOTTOM DRAWING	DATE: 15/11/09
NO.	DATE	BY	REVISION	SCALE: NTS

SHEET 3 OF 3

EDBSC3A0015BK

2.0 jwen 2020/05/12 09:34