



## FS-MC8P

Multi-Output Units PNP



## Specifications

Model	FS-MC8P	
Output	PNP	
Response time	Depends on the response time settings of the connected expansion units	
External input	Input time of the connected expansion units +11 ms	
Number of inputs and outputs	Separate control outputs: 8, common output: 1, common input: 1	
Unit expansion	Up to 8 expansion units can be connected. (However, each dual output type will be treated as 2 expansion units.) Allowable passing current: 1200 mA or less	
Indicators	STATUS indicator (green and red two-color display) MEMORY indicator (orange) LOCK indicator (orange)	
Separate control output, common output	PNP open-collector, 30 V or less, 20 mA or less per output, residual voltage: 1.6 V or less	
Protection circuit	Protection against reverse power connection, reverse output connection, output overcurrent, and output surge	
Power supply	Power voltage	10 to 30 VDC (including 10 % ripple (P-P) or less) , class 2 or LPS <sup>1</sup>
	Power consumption	690 mW or less (when used as a solitary unit) (26 mA or less at 24 V/38 mA or less at 12 V [excluding the load current]) <sup>2</sup>
Environmental resistance	Ambient temperature	-20 °C -4 °F to +55 °C +131 °F (no freezing)
	Vibration resistance	10 to 55 Hz; double amplitude 1.5 mm 0.06"; 2 hours each for X, Y, and Z axes
	Shock resistance	500 m/s <sup>2</sup> ; 3 times each for X, Y, and Z axes
Case material	Main unit and cover: polycarbonate	
Weight	Approx. 110 g	

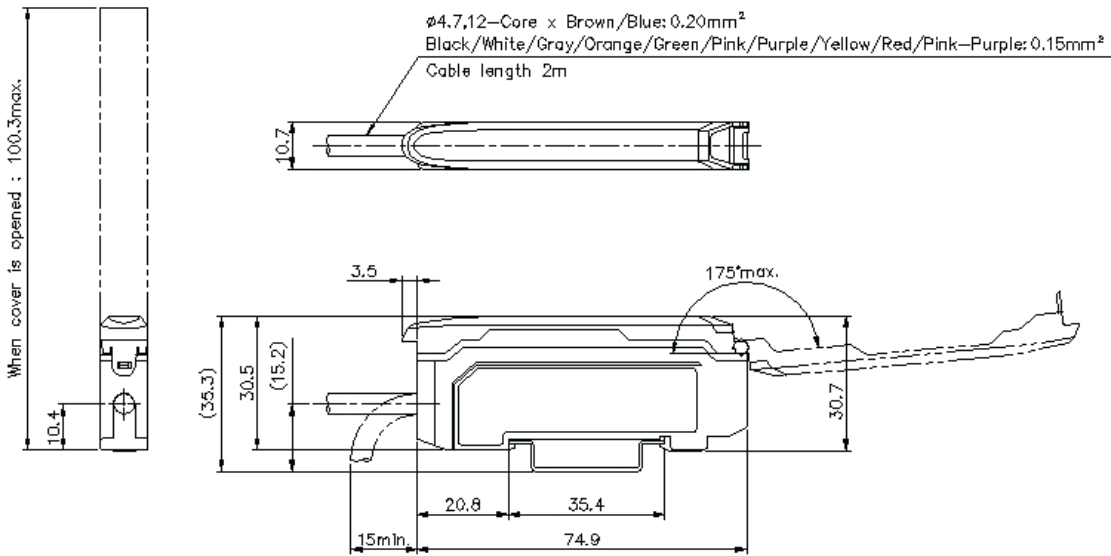
<sup>1</sup> Match the rated power supply voltage of the expansion units to be connected to the system.  
<sup>2</sup> The power consumption including the load when the maximum number of units are connected is 38 W max.

Dimensions

\* Download CAD file or product manual for larger image/text and more detail.

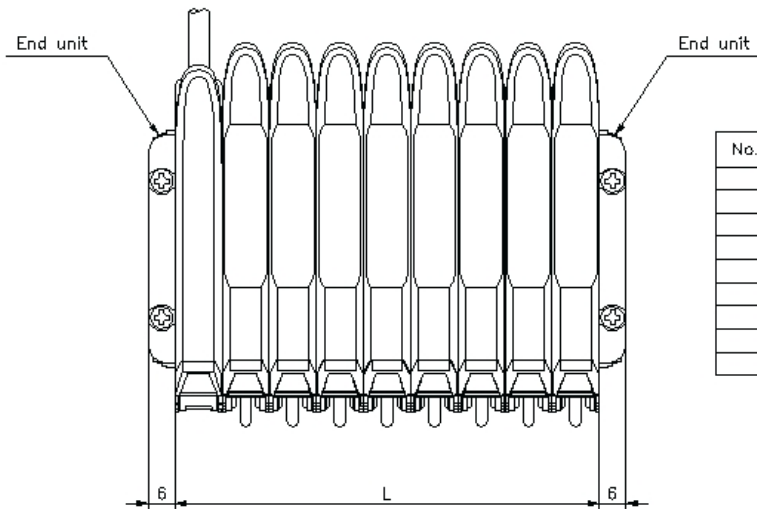
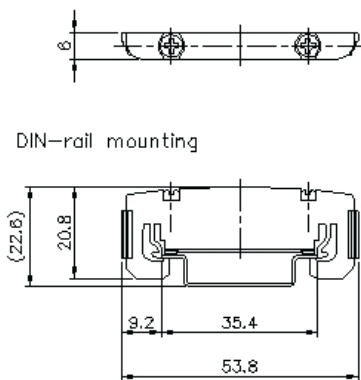
fs-mc8\_dimension\_01.gif

FS-MC8N\_MC8P



End unit  
OP-26751 (Option)

When several units are connected



No. of units	L(mm)
1	10.7
2	21.4
3	32.1
4	42.8
5	53.5
6	64.2
7	74.9
8	85.6
9	96.3