

# Sensor/actuator cable - SAC-HZ-4P- 5,0-542/M12FS SH BK



1409553

<https://www.phoenixcontact.com/us/products/1409553>

Please be informed that the data shown in this PDF document is generated from our Online Catalog. Please find the complete data in the user documentation. Our General Terms of Use for Downloads are valid.

Sensor/actuator cable, 4-position, PVC, yellow, shielded, free cable end, on Socket straight M12, coding: A, cable length: 5 m



## Commercial Data

Item number	1409553
Packing unit	1 pc
Note	Made to Order (non-returnable)
Sales Key	B22
Product Key	BF1IGB
GTIN	4055626018096
Weight per Piece (including packing)	277 g
Weight per Piece (excluding packing)	22.22 g
Customs tariff number	85444290
Country of origin	US

# Sensor/actuator cable - SAC-HZ-4P- 5,0-542/M12FS SH BK



1409553

<https://www.phoenixcontact.com/us/products/1409553>

## Technical Data

### Notes

General	These cable assemblies are UL/cUL listed for use in Class I, Division 2 (CID2) hazardous locations.
---------	-----------------------------------------------------------------------------------------------------

### Product properties

Product type	Sensor/actuator cable
Number of positions	4
Application	U.S. cables for hazardous locations
No. of cable outlets	1
Shielded	yes
Coding	A - standard

### Insulation characteristics

Overvoltage category	II
Degree of pollution	3

### Material specifications

Flammability rating according to UL 94	HB
Material of grip body	TPU, hardly inflammable, self-extinguishing
Contact material	CuSn
Contact surface material	Ni/Au
Contact carrier material	TPU GF
Cable gland material	Zinc die-cast, nickel-plated

### Electrical properties

Contact resistance	$\leq 5 \text{ m}\Omega$
Insulation resistance	$\geq 100 \text{ M}\Omega$
Nominal voltage $U_N$	48 V AC
	60 V DC
Nominal current $I_N$	4 A
Protective circuit	unwired

### LED signaling

Status display	No
Status display present	No

### Connection data

#### Conductor connection

Tightening torque	0.4 Nm (M12 connector)
-------------------	------------------------

### Connector

#### Connection 1

# Sensor/actuator cable - SAC-HZ-4P- 5,0-542/M12FS SH BK



1409553

<https://www.phoenixcontact.com/us/products/1409553>

Head design	free cable end
-------------	----------------

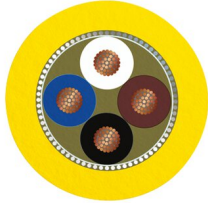
## Connection 2

Head design	Socket
Head cable outlet	straight
Head thread type	M12
Coding	A

## Cable / line

Cable length	5 m
--------------	-----

## PVC yellow 105 °C [542]

Dimensional drawing	
Cable weight	48 kg/km
UL AWM Style	2517 (105 °C / 300 V)
Number of positions	4
Shielded	yes
Cable type	PVC yellow 105 °C [542]
Conductor structure signal line	30x 1.30 mm
AWG signal line	22
Wire diameter incl. insulation	1.27 mm ±0.03 mm
External cable diameter	5.5 mm ±0.2 mm
Outer sheath, material	PVC
External sheath, color	yellow
Conductor material	Tin-plated Cu litz wires
Material wire insulation	PVC
Single wire, color	brown, blue, black, white
Overall twist	4 wires, twisted
Optical shield covering	85 %
Max. conductor resistance	max. 50.5 Ω/km (20 °C)
Insulation resistance	≥ (550 M Ohms/m @ 500V)
Nominal voltage, cable	300 V
Minimum bending radius, flexible installation	12 x D
Flame resistance	FT4
Other resistance	UV resistant
Special properties	UL standards PLTC and ITC
Ambient temperature (operation)	-30 °C ... 105 °C (cable, fixed installation) -5 °C ... 105 °C (Cable, flexible installation)

# Sensor/actuator cable - SAC-HZ-4P- 5,0-542/M12FS SH BK



1409553

<https://www.phoenixcontact.com/us/products/1409553>

## Ambient conditions

Degree of protection	IP65
	IP67
Ambient temperature (operation)	-25 °C ... 90 °C (Plug / socket)

## Standards and regulations

Standards/specifications	IEC 61076-2-101
--------------------------	-----------------

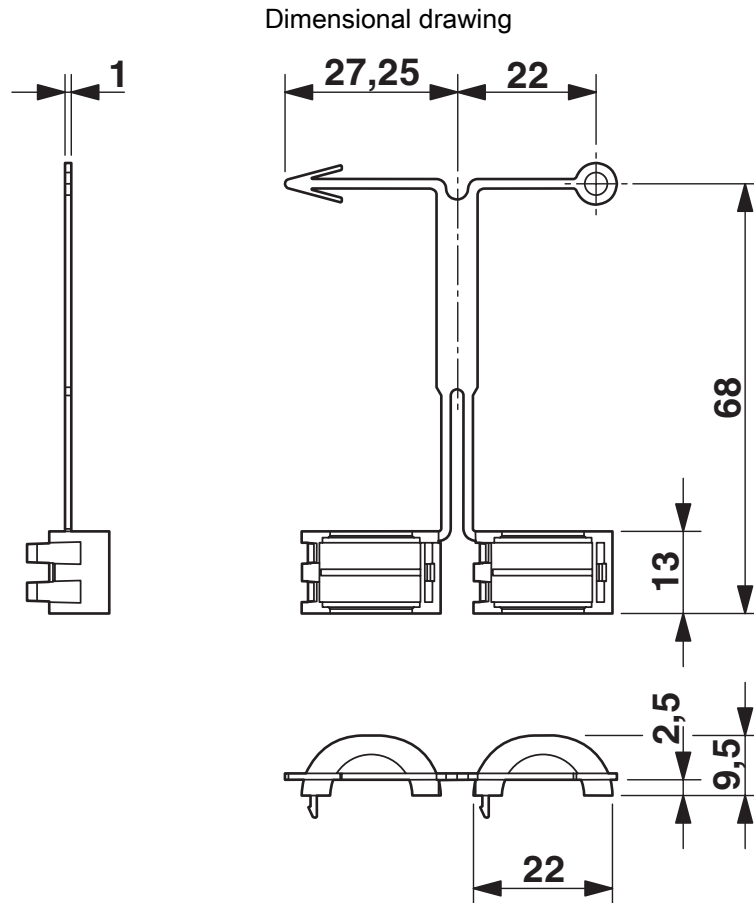
# Sensor/actuator cable - SAC-HZ-4P- 5,0-542/M12FS SH BK



1409553

<https://www.phoenixcontact.com/us/products/1409553>

## Drawings



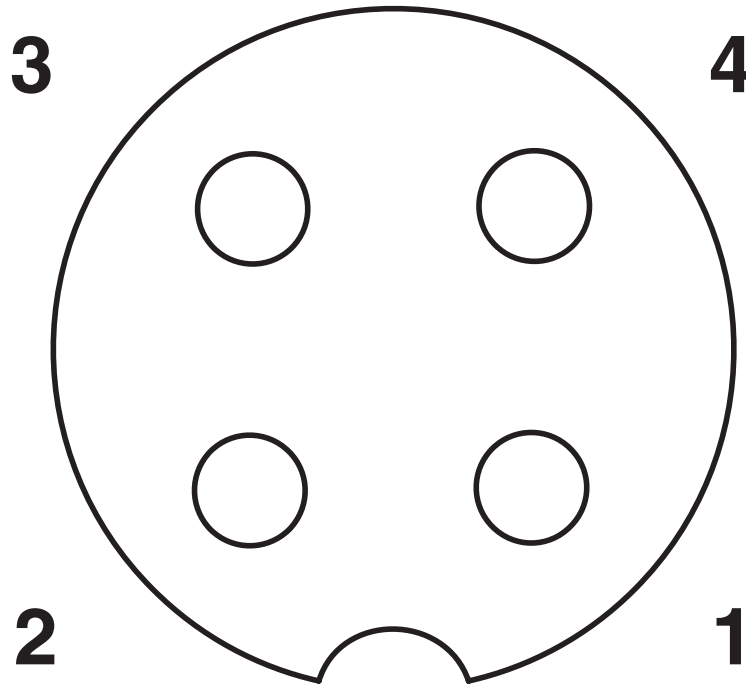
EXCLIP socket

# Sensor/actuator cable - SAC-HZ-4P- 5,0-542/M12FS SH BK

1409553

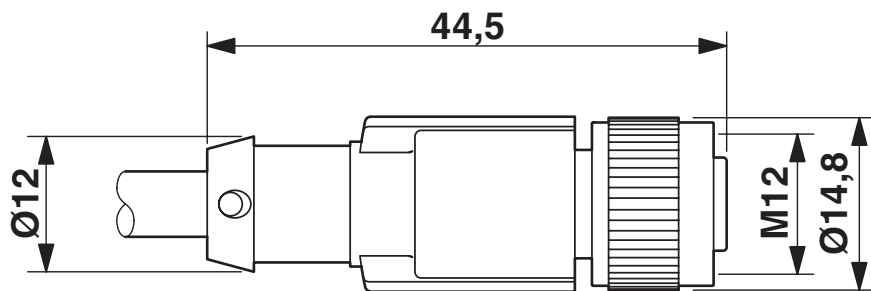
<https://www.phoenixcontact.com/us/products/1409553>

Schematic diagram



Pin assignment M12 socket, 4-pos., A-coded, view female side

Dimensional drawing



M12 x 1 socket, straight, shielded

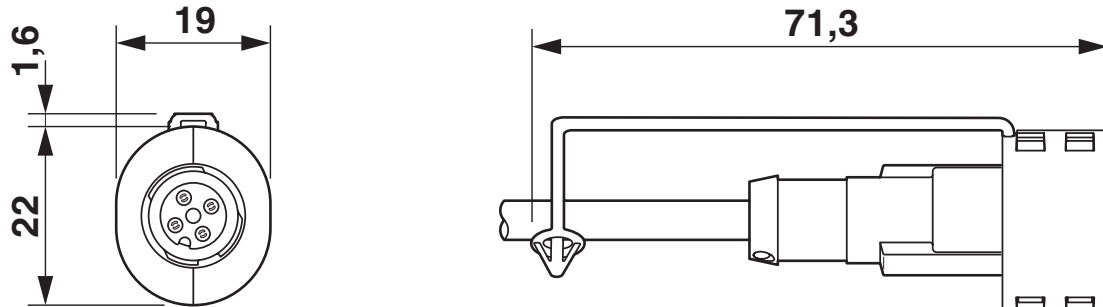
# Sensor/actuator cable - SAC-HZ-4P- 5,0-542/M12FS SH BK



1409553

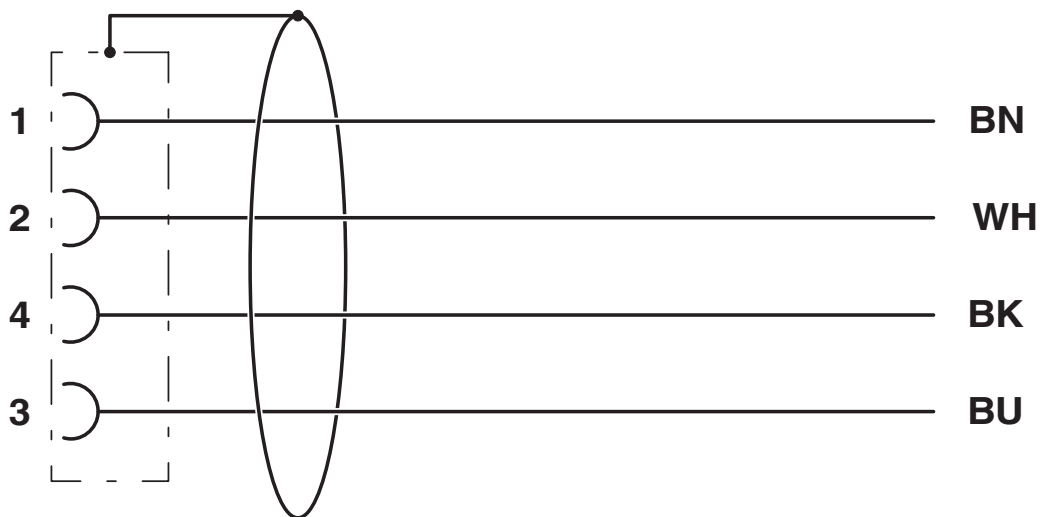
<https://www.phoenixcontact.com/us/products/1409553>

Dimensional drawing



EXCLIP mounted plug

Circuit diagram



# Sensor/actuator cable - SAC-HZ-4P- 5,0-542/M12FS SH BK




1409553

<https://www.phoenixcontact.com/us/products/1409553>

## Approvals

 <b>cUL Listed</b> Approval ID: FILE E 359524				
	Nominal Voltage $U_N$	Nominal Current $I_N$	Cross Section AWG	Cross Section $\text{mm}^2$
	150 V	4 A	-	-

 <b>UL Listed</b> Approval ID: FILE E 359524				
	Nominal Voltage $U_N$	Nominal Current $I_N$	Cross Section AWG	Cross Section $\text{mm}^2$
	150 V	4 A	-	-

**cULus Listed**



# Sensor/actuator cable - SAC-HZ-4P- 5,0-542/M12FS SH BK



1409553

<https://www.phoenixcontact.com/us/products/1409553>

## Classifications

### ECLASS

ECLASS-9.0	27060311
ECLASS-10.0.1	27060311
ECLASS-11.0	27060311

### ETIM

ETIM 8.0	EC001855
----------	----------

### UNSPSC

UNSPSC 21.0	26121600
-------------	----------

# Sensor/actuator cable - SAC-HZ-4P- 5,0-542/M12FS SH BK



1409553

<https://www.phoenixcontact.com/us/products/1409553>

## Environmental Product Compliance

China RoHS	Environmentally Friendly Use Period = 50 years
	For information on hazardous substances, refer to the manufacturer's declaration available under "Downloads"

# Sensor/actuator cable - SAC-HZ-4P- 5,0-542/M12FS SH BK



1409553

<https://www.phoenixcontact.com/us/products/1409553>

## Accessories

### Sealing cap

Sealing cap - PROT-M12 FS-PA-CHAIN - 1430873

<https://www.phoenixcontact.com/us/products/1430873>

M12 sealing cap made of plastic with fixing band, for sensor cables, for free M12 plugs



---

### Locking clip

Locking clip - SAC-M12-EXCLIP-M - 1558988

<https://www.phoenixcontact.com/us/products/1558988>

Locking clip for the pin side of sensor/actuator cables with M12 connector and M12 connectors for assembly, for knurl diameter: 15 mm or for Allen key with a wrench size of 14 mm, prevents the disconnection of plug-in connections without tools



# Sensor/actuator cable - SAC-HZ-4P- 5,0-542/M12FS SH BK



1409553

<https://www.phoenixcontact.com/us/products/1409553>

## Screw plug

Screw plug - PROT-M12 MS-PA-CHAIN - 1430899

<https://www.phoenixcontact.com/us/products/1430899>

M12 sealing cap with fixing band, for sensor cables, for free M12 sockets



---

## Locking clip

Locking clip - SAC-M12-EXCLIP-F - 1558991

<https://www.phoenixcontact.com/us/products/1558991>

Locking clip for the socket side of sensor/actuator cables with M12 connector and M12 connectors for assembly, for knurl diameter: 15 mm or for Allen key with a wrench size of 14 mm, prevents the disconnection of plug-in connections without tools



# Sensor/actuator cable - SAC-HZ-4P- 5,0-542/M12FS SH BK



1409553

<https://www.phoenixcontact.com/us/products/1409553>

## Torque screwdriver

Torque screwdriver - TSD 04 SAC - 1208429

<https://www.phoenixcontact.com/us/products/1208429>



Torque screwdriver, with preset torque of 0.4 Nm and 4 mm hexagonal drive for M12 connectors

---

## Torque screwdriver

Torque screwdriver - TSD-M 1,2NM - 1212224

<https://www.phoenixcontact.com/us/products/1212224>



Torque screw driver, accuracy as per EN ISO 6789 standard, adjustable from 0.3 - 1.2 Nm

# Sensor/actuator cable - SAC-HZ-4P- 5,0-542/M12FS SH BK



1409553

<https://www.phoenixcontact.com/us/products/1409553>

## Adapter insert

Adapter insert - TSD-M SAC-BIT ADAPTER - 1212600

<https://www.phoenixcontact.com/us/products/1212600>



Adapter bit for TSD-M...torque tools, E6.3-1/4" drive with 4 mm hexagon to accommodate SAC bits

---

## Tool

Tool - SAC BIT M12-D15 - 1208432

<https://www.phoenixcontact.com/us/products/1208432>



Nut for assembling sensor/actuator cables with M12 connector and M12 connectors for assembly, with a knurl diameter of 15 mm, for 4 mm hexagonal drive

---

Phoenix Contact 2022 © - all rights reserved

<https://www.phoenixcontact.com>

Phoenix Contact USA

586 Fulling Mill Road

Middletown, PA 17057, United States

(+717) 944-1300

[info@phoenixcon.com](mailto:info@phoenixcon.com)