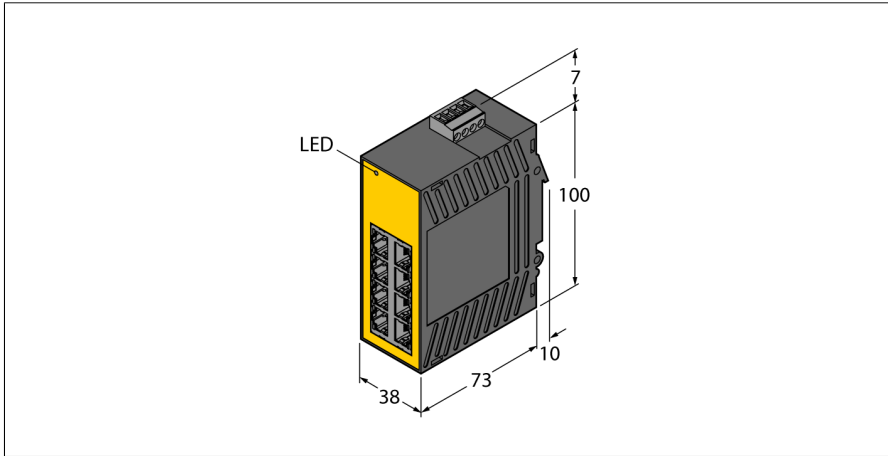


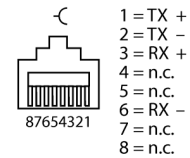
Industrial Ethernet Unmanaged Switch SE20-84XT-RJ822



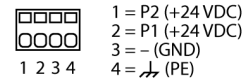
- 10/100 Mbps
- Auto-sensing, 10/100M, half/full duplex, auto-negotiating
- Auto cross-over, auto-polarity
- Automatic address learning, aging and migration
- Store and forward wire-speed switching
- IEEE 802.3, 802.3u, 802.3x
- 8 ports
- Ethernet connection: shielded RJ45 sockets
- Power supply: removable screw terminal
- Protection class: IP20

Type designation	SE20-84XT-RJ822
Ident-No.	U3-10866
Supply voltage	24 VDC
Admissible range	10...30 VDC
Power consumption	≤ 4 W
Transient Protection	15,000 Watts Peak
Spike Protection	5,000 Watts (10 times for 10 μs)
Voltage supply connection	Pluggable screw terminal strip
Fieldbus transmission rate	10 Mbps/100 Mbps
Ethernet Compliance	IEEE 802.3 (10 Mbps Ethernet) IEEE 802.3u (100 Mbps Ethernet) IEEE 802.3.3 x (Full-Duplex with Flow Control)
Communication Ports	8 ports (unmanaged)
Fieldbus connection technology	RJ45 port
MAC Addresses	1024
Memory bandwidth	3.2 Gbps
Latency (typical)	@100 Mbps: 5 μs + frame time; @10 Mbps: 16 μs + frame time
Electrical isolation	1500 VRMS 1 minute
Electromagnetic compatibility (EMC)	FCC part 15, ICES-003, EN55022, EN61000-6, CE
Dimensions	38.1x82.8x101.6 mm
Weight	262 g
Operating temperature	-40 to +60 °C
Storage temperature	-40 to +85 °C
Relative humidity	5 to 95% (non-condensing)
Vibration and shock testing	According to IEC 60068-2-6
Protection class	IP20
Mounting	Din-rail or direct panel mounting
Housing material	UL94V0 Lexan
Approvals and certificates	UL508/CSA C22.2/14; EN61010-1; UL1604/CSA C22.2/213 (Class 1, Div. 2); EN60079-15 (Zone 2, Category 3); CE (ATEX)
Life cycle MTBF	>1M Hours GB at 35°C per MIL-HNDBK-217F2

RJ45 Fieldbus



Power Supply



Functional principle

Ethernet switches can be used to simplify Ethernet networks and reduce traffic. They perform an important role in traffic management by forwarding messages only to the port that needs them.