

# UNO2-PS/1AC/24DC/240W - Power supply unit



1096432

<https://www.phoenixcontact.com/us/products/1096432>

Please be informed that the data shown in this PDF document is generated from our Online Catalog. Please find the complete data in the user documentation. Our General Terms of Use for Downloads are valid.



Primary-switched power supply unit, UNO POWER, Screw connection, DIN rail mounting, input: 1-phase, output: 24 V DC / 10 A

## Your advantages

- Save space in the control cabinet with an extremely narrow overall width of just 45 mm
- Save energy, thanks to a high degree of efficiency
- Outdoor installation possible, with a wide temperature range of -25°C ... +70°C
- Simple output voltage monitoring, thanks to the floating DC OK relay contact

## Commercial Data

|                                      |               |
|--------------------------------------|---------------|
| Item number                          | 1096432       |
| Packing unit                         | 1 pc          |
| Minimum order quantity               | 1 pc          |
| Sales Key                            | C14           |
| Product Key                          | CMPV13        |
| GTIN                                 | 4055626930466 |
| Weight per Piece (including packing) | 862 g         |
| Weight per Piece (excluding packing) | 862 g         |
| Customs tariff number                | 85044083      |
| Country of origin                    | TH            |

## Technical Data

### Input data

|  |   |
|--|---|
| Supply system configuration              | Star network (TN, TT, IT (PE))                                  |
| Nominal input voltage range              | 100 V AC ... 240 V AC   |
| Input voltage range                      | 100 V AC ... 240 V AC -15 % ... +10 %                           |
| Derating                                 | < 90 V AC (1 %/V)   |
| Typical national grid voltage            | 120 V AC  |
|  | 230 V AC  |
| Voltage type of supply voltage           | AC  |
| Inrush current                           | typ. 10 A (at 25 °C)  |
| Inrush current integral ( $I^2t$ )       | < 0.2 A <sup>2</sup> s  |
| Frequency range ( $f_N$ )                | 50 Hz ... 60 Hz $\pm$ 10 %                                      |
| Mains buffering time                     | typ. 16 ms (120 V AC)   |
|  | typ. 20 ms (230 V AC)   |
| Current consumption                      | 2.6 A (100 V AC)  |
|  | 2.2 A (120 V AC)  |
|  | 1.13 A (230 V AC)   |
|  | 1.2 A (240 V AC)  |
| Protective circuit                       | Transient surge protection; Varistor, gas-filled surge arrester |
| Switch-on time                           | typ. 400 ms   |
| Device mains fuse                        | 5 A internal (device protection), fast-blow                     |
| Recommended breaker for input protection | 6 A ... 16 A (Characteristic B, C, D, K or comparable)          |
| Discharge current to PE                  | < 3.5 mA  |

### Output data

|  |   |
|--|---|
| Efficiency   | typ. 92 % (120 V AC)  |
|  | typ. 93.7 % (230 V AC)  |
| Nominal output voltage                             | 24 V DC   |
| Setting range of the output voltage ( $U_{Set}$ )  | 24 V DC ... 28 V DC (> 24 V DC, constant capacity restricted) |
| Nominal output current ( $I_N$ )                   | 10 A  |
| Short-circuit-proof                                | yes   |
| No-load proof                                      | yes   |
| Crest factor                                       | typ. 1.65 (120 V AC)  |
|  | typ. 1.63 (230 V AC)  |
| Output power ( $P_N$ )                             | 240 W   |
| Connection in parallel                             | yes, for redundancy   |
| Connection in series                               | yes, for increased output voltage                             |
| Feedback voltage resistance                        | $\leq$ 35 V DC  |
| Protection against overvoltage at the output (OVP) | $\leq$ 35 V DC  |
| Residual ripple                                    | typ. 50 mV <sub>PP</sub> (with nominal values)                |
| Control deviation                                  | < 1 % (change in load, static 10 % ... 90 %)                  |
|  | < 3 % (change in load, dynamic 10 % ... 90 %)                 |

# UNO2-PS/1AC/24DC/240W - Power supply unit



1096432

<https://www.phoenixcontact.com/us/products/1096432>

|  |  |
|--|--|
|  | < 0.1 % (change in input voltage $\pm 10$ %) |
| Rise time                              | < 1 s ( $U_{Out} = 10$ % ... 90 %)           |
| Minimum no-load power dissipation      | < 4 W (120 V AC)                             |
| Maximum no-load power dissipation      | < 4 W (230 V AC)                             |
| Minimum nominal load power dissipation | < 25 W (120 V AC)                            |
| Power loss nominal load max.           | < 19 W (230 V AC)                            |

## Signal relay 13/14

|                           |   |
|---------------------------|---|
| Connection level          | 3.x   |
| Connection labeling       | 3.1 (13), 3.2 (14)                          |
| Switch contact (floating) | OptoMOS                                     |
| Switching voltage         | max. 30 V AC/DC                             |
|                           | max. 60 V DC                                |
| Current carrying capacity | max. 50 mA                                  |
| State condition           | $U_{OUT} > 0,9 \times U_N$ (Contact closed) |
|                           | $U_{OUT} < 0,9 \times U_N$ (Contact open)   |

## Connection data

### Input

|                |                                     |
|----------------|-------------------------------------|
| Position       | 1.x                                 |
| Identification | 1.1 ( $\square$ ), 1.2 (L), 1.3 (N) |

### Conductor connection

|  |   |
|--|---|
| Connection method                            | Screw connection                                  |
| rigid  | 0.2 mm <sup>2</sup> ... 2.5 mm <sup>2</sup>       |
| flexible                                     | 0.2 mm <sup>2</sup> ... 2.5 mm <sup>2</sup>       |
| flexible with ferrule without plastic sleeve | 0.25 mm <sup>2</sup> ... 2.5 mm <sup>2</sup>      |
| flexible with ferrule with plastic sleeve    | 0.25 mm <sup>2</sup> ... 2.5 mm <sup>2</sup>      |
| rigid (AWG)                                  | 24 ... 14 (Cu)                                    |
| Stripping length                             | 6.5 mm  |
| Tightening torque                            | 0.5 Nm ... 0.6 Nm                                 |
|  | 4 lb <sub>f</sub> -in. ... 5 lb <sub>f</sub> -in. |
| Drive form screw head                        | Slotted L   |

### Output

|                |                            |
|----------------|----------------------------|
| Position       | 2.x                        |
| Identification | 2.1, 2.2 (+), 2.3, 2.4 (-) |

### Conductor connection

|  |  |
|--|--|
| Connection method                            | Screw connection                             |
| rigid  | 0.2 mm <sup>2</sup> ... 2.5 mm <sup>2</sup>  |
| flexible                                     | 0.2 mm <sup>2</sup> ... 2.5 mm <sup>2</sup>  |
| flexible with ferrule without plastic sleeve | 0.25 mm <sup>2</sup> ... 2.5 mm <sup>2</sup> |
| flexible with ferrule with plastic sleeve    | 0.25 mm <sup>2</sup> ... 2.5 mm <sup>2</sup> |
| rigid (AWG)                                  | 24 ... 14 (Cu)                               |

# UNO2-PS/1AC/24DC/240W - Power supply unit



1096432

<https://www.phoenixcontact.com/us/products/1096432>

|                       |  |
|-----------------------|--|
| Stripping length      | 6.5 mm   |
| Tightening torque     | 0.5 Nm ... 0.6 Nm<br>4 lb <sub>f</sub> -in. ... 5 lb <sub>f</sub> -in. |
| Drive form screw head | Slotted L  |

## Signal

|                |                    |
|----------------|--------------------|
| Position       | 3.x                |
| Identification | 3.1 (13), 3.2 (14) |

## Conductor connection

|  |  |
|--|--|
| Connection method                            | Screw connection   |
| rigid  | 0.2 mm <sup>2</sup> ... 2.5 mm <sup>2</sup>                            |
| flexible                                     | 0.2 mm <sup>2</sup> ... 2.5 mm <sup>2</sup>                            |
| flexible with ferrule without plastic sleeve | 0.25 mm <sup>2</sup> ... 2.5 mm <sup>2</sup>                           |
| flexible with ferrule with plastic sleeve    | 0.25 mm <sup>2</sup> ... 2.5 mm <sup>2</sup>                           |
| rigid (AWG)                                  | 24 ... 14 (Cu)   |
| Stripping length                             | 6.5 mm   |
| Tightening torque                            | 0.5 Nm ... 0.6 Nm<br>4 lb <sub>f</sub> -in. ... 5 lb <sub>f</sub> -in. |
| Drive form screw head                        | Slotted L  |

## LED signaling

|                    |  |
|--------------------|--|
| Types of signaling | LED DC OK – signal state operation ( $U_N = 24 \text{ V DC}$ , $I_{Out} = I_N$ ) |
|--------------------|--|

## Electrical properties

|                                 |   |
|---------------------------------|---|
| Number of phases                | 1.00  |
| Insulation voltage input/output | 4 kV AC (type test)<br>3 kV AC (routine test)     |
| Insulation voltage input / PE   | 3.5 kV AC (type test)<br>2.4 kV AC (routine test) |

## Product properties

|                                    |   |
|------------------------------------|---|
| Product type                       | Power supply  |
| Product family                     | UNO POWER   |
| MTBF (IEC 61709, SN 29500)         | > 1219000 h (25 °C)<br>> 678000 h (40 °C)<br>> 366000 h (55 °C) |
| Environmental protection directive | RoHS Directive 2011/65/EU<br>WEEE<br>Reach                      |

## Insulation characteristics

|                     |   |
|---------------------|---|
| Protection class    | I |
| Degree of pollution | 2 |

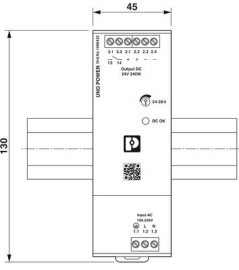
## Dimensions

# UNO2-PS/1AC/24DC/240W - Power supply unit



1096432

<https://www.phoenixcontact.com/us/products/1096432>

|  |  |
|--|--|
| Dimensional drawing                    |  |
| Width                                  | 45 mm  |
| Height                                 | 130 mm   |
| Depth Device depth (DIN rail mounting) | 125 mm (Device depth (DIN rail mounting))  |

## Installation dimensions

|  |                                       |
|--|---------------------------------------|
| Installation distance right/left (active, passive) | 0 mm / 0 mm ( $P_{Out} \geq 50\%$ )   |
| Installation distance top/bottom (active, passive) | 30 mm / 30 mm ( $P_{Out} \geq 50\%$ ) |

## Mounting

|                         |  |
|-------------------------|--|
| Mounting type           | DIN rail mounting                              |
| Assembly instructions   | alignable: 0 mm horizontally, 30 mm vertically |
| Mounting position       | horizontal DIN rail NS 35, EN 60715            |
| With protective coating | No   |

## Material specifications

|  |   |
|--|---|
| Flammability rating according to UL 94 | V0 (Housing, terminal blocks)               |
| Housing material                       | Metal                                       |
| Hood version                           | Stainless steel                             |
| Side element version                   | Aluminum                                    |
| Foot latch material                    | Sheet steel, zinc-plated                    |
| Housing material                       | Aluminum (AIMg3) / sheet steel, zinc-plated |

## Environmental and real-life conditions

### Ambient conditions

|  |   |
|--|---|
| Degree of protection                           | IP20  |
| Ambient temperature (operation)                | -25 °C ... 70 °C (> 55 °C Derating: 2.5 %/K)                          |
| Ambient temperature (storage/transport)        | -40 °C ... 85 °C  |
| Ambient temperature (start-up type tested)     | -40 °C  |
| Maximum altitude                               | ≤ 3000 m (> 2000 m, Derating: 10 %/1000 m)                            |
| Climatic class                                 | 3K3 (in acc. with EN 60721)   |
| Max. permissible relative humidity (operation) | ≤ 95 % (at 25 °C, non-condensing)                                     |
| Shock (operation)                              | 18 ms, 30g, per spatial direction (IEC 60068-2-27)                    |
| Vibration (operation)                          | 10 Hz ... 50 Hz, amplitude ±0.2 mm<br>50 Hz to 150 Hz, 2.3 g, 90 min. |

## Standards and regulations

# UNO2-PS/1AC/24DC/240W - Power supply unit



1096432

<https://www.phoenixcontact.com/us/products/1096432>

## Overvoltage category

|            |                     |
|------------|---------------------|
| EN 61010-1 | II ( $\leq 3000$ m) |
|------------|---------------------|

## Overvoltage category

|            |                      |
|------------|----------------------|
| EN 62477-1 | III ( $\leq 3000$ m) |
|------------|----------------------|

## Safety of power supply units up to 1100 V (insulation distances)

|                          |                   |
|--------------------------|-------------------|
| Standards/specifications | DIN EN 61558-2-16 |
|--------------------------|-------------------|

## Electrical safety

|                          |                        |
|--------------------------|------------------------|
| Standards/specifications | IEC 61010-2-201 (SELV) |
|--------------------------|------------------------|

## Electronic equipment for use in power installations

|                          |                          |
|--------------------------|--------------------------|
| Standards/specifications | EN 50178/VDE 0160 (PELV) |
|--------------------------|--------------------------|

## Safety for measurement, control, and laboratory equipment

|                          |             |
|--------------------------|-------------|
| Standards/specifications | IEC 61010-1 |
|--------------------------|-------------|

## Protective extra-low voltage

|                          |                        |
|--------------------------|------------------------|
| Standards/specifications | IEC 61010-1 (SELV)     |
|                          | IEC 61010-2-201 (PELV) |

## Safe isolation

|                          |                 |
|--------------------------|-----------------|
| Standards/specifications | IEC 61558-2-16  |
|                          | IEC 61010-2-201 |

## Limitation of harmonic line currents

|                          |              |
|--------------------------|--------------|
| Standards/specifications | EN 61000-3-2 |
|--------------------------|--------------|

## Mains voltage dips

|                          |                            |
|--------------------------|----------------------------|
| Standards/specifications | SEMI F47 - 0706 (185 V AC) |
|--------------------------|----------------------------|

## Approval data

### UL

|                |                           |
|----------------|---------------------------|
| Identification | UL/C-UL Listed UL 61010-1 |
|----------------|---------------------------|

### UL

|                |                               |
|----------------|-------------------------------|
| Identification | UL/C-UL Listed UL 61010-2-201 |
|----------------|-------------------------------|

### UL

|                |   |
|----------------|---|
| Identification | UL/C-UL Listed ANSI/UL 121201 Class I, Division 2, Groups A, B, C, D (Hazardous Location) |
|----------------|---|

### SIQ

|                |  |
|----------------|--|
| Identification | CB scheme (IEC 61010-1, IEC 61010-2-201) |
|----------------|--|

## EMC data

|                               |   |
|-------------------------------|---|
| Low Voltage Directive         | Conformance with Low Voltage Directive 2014/35/EC |
| Electromagnetic compatibility | Conformance with EMC Directive 2014/30/EU         |

# UNO2-PS/1AC/24DC/240W - Power supply unit



1096432

<https://www.phoenixcontact.com/us/products/1096432>

|                                     |  |
|-------------------------------------|--|
| EMC requirements for noise immunity | EN 61000-6-2   |
| Conducted noise emission            | EN 55016   |
|                                     | EN 61000-6-3 (Class B)   |
| Interference emission               | Interference emission in accordance with EN 61000-6-3 (residential and commercial) and EN 61000-6-4 (industrial) |
| Noise emission                      | EN 55016   |
|                                     | EN 61000-6-3 (Class B)   |
| Noise immunity                      | EN 61000-6-2:2005  |

## Harmonic currents

|                       |                        |
|-----------------------|------------------------|
| Standards/regulations | EN 61000-3-2           |
|                       | EN 61000-3-2 (Class A) |
| Frequency range       | 0 kHz ... 2 kHz        |

## Flicker

|                       |                 |
|-----------------------|-----------------|
| Standards/regulations | EN 61000-3-3    |
| Frequency range       | 0 kHz ... 2 kHz |

## Electrostatic discharge

|                       |              |
|-----------------------|--------------|
| Standards/regulations | EN 61000-4-2 |
|-----------------------|--------------|

## Electrostatic discharge

|                   |                     |
|-------------------|---------------------|
| Contact discharge | 6 kV (Test Level 3) |
| Discharge in air  | 8 kV (Test Level 3) |
| Comments          | Criterion A         |

## Electromagnetic HF field

|                       |              |
|-----------------------|--------------|
| Standards/regulations | EN 61000-4-3 |
|-----------------------|--------------|

## Electromagnetic HF field

|                     |                       |
|---------------------|-----------------------|
| Frequency range     | 80 MHz ... 1 GHz      |
| Test field strength | 10 V/m (Test Level 3) |
| Frequency range     | 1 GHz ... 6 GHz       |
| Test field strength | 10 V/m (Test Level 3) |
| Comments            | Criterion A           |

## Fast transients (burst)

|                       |              |
|-----------------------|--------------|
| Standards/regulations | EN 61000-4-4 |
|-----------------------|--------------|

## Fast transients (burst)

|          |                                    |
|----------|------------------------------------|
| Input    | 4 kV (Test Level 4 - asymmetrical) |
| Output   | 2 kV (Test Level 3 - asymmetrical) |
| Comments | Criterion A                        |

## Surge voltage load (surge)

|                       |                                    |
|-----------------------|------------------------------------|
| Standards/regulations | EN 61000-4-5                       |
| Input                 | 2 kV (Test Level 4 - symmetrical)  |
|                       | 4 kV (Test Level 4 - asymmetrical) |

# UNO2-PS/1AC/24DC/240W - Power supply unit



1096432

<https://www.phoenixcontact.com/us/products/1096432>

|          |                                    |
|----------|------------------------------------|
| Output   | 1 kV (Test Level 3 - symmetrical)  |
|          | 2 kV (Test Level 3 - asymmetrical) |
| Comments | Criterion A                        |

## Conducted interference

|                       |              |
|-----------------------|--------------|
| Standards/regulations | EN 61000-4-6 |
|-----------------------|--------------|

## Conducted interference

|                 |                     |
|-----------------|---------------------|
| Input/Output    | asymmetrical        |
| Frequency range | 0.15 MHz ... 80 MHz |
| Comments        | Criterion A         |
| Voltage         | 10 V (Test Level 3) |

## Voltage dips

|                       |                 |
|-----------------------|-----------------|
| Standards/regulations | EN 61000-4-11   |
| Voltage               | 230 V AC        |
| Frequency             | 50 Hz           |
| Voltage dip           | 70 %            |
| Number of periods     | 25 / 30 periods |
| Comments              | Criterion A     |
| Voltage dip           | 40 %            |
| Number of periods     | 12 periods      |
| Additional text       | Test Level 2    |
| Comments              | Criterion A     |
| Voltage dip           | 0 %             |
| Number of periods     | 1 period        |
| Additional text       | Test Level 2    |
| Comments              | Criterion B     |

## Criteria

|             |  |
|-------------|--|
| Criterion A | Normal operating behavior within the specified limits.                               |
| Criterion B | Temporary impairment to operational behavior that is corrected by the device itself. |



# UNO2-PS/1AC/24DC/240W - Power supply unit

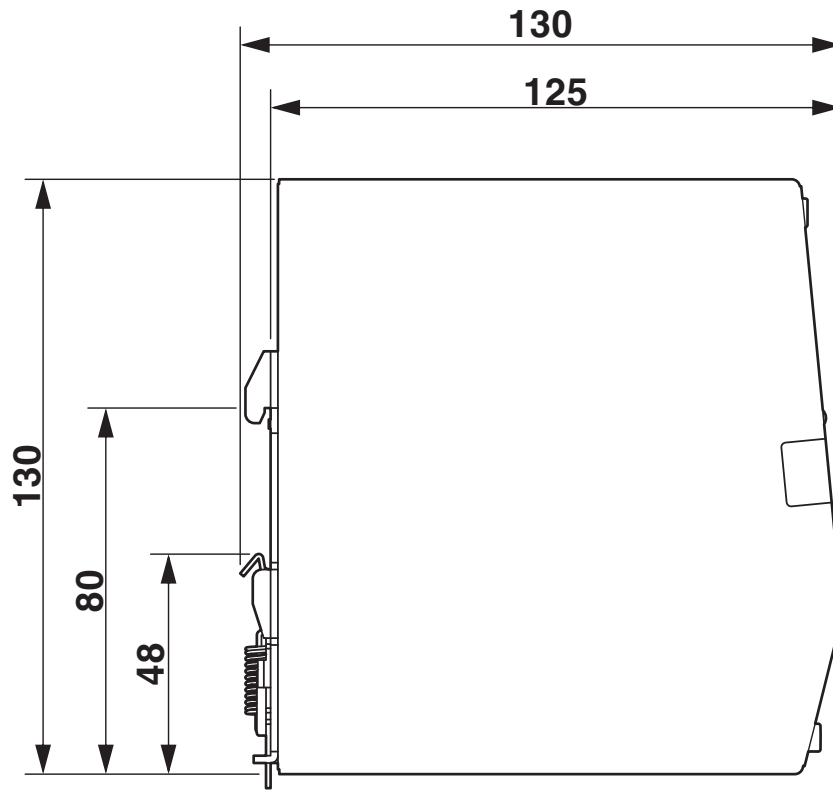


1096432

<https://www.phoenixcontact.com/us/products/1096432>

## Drawings

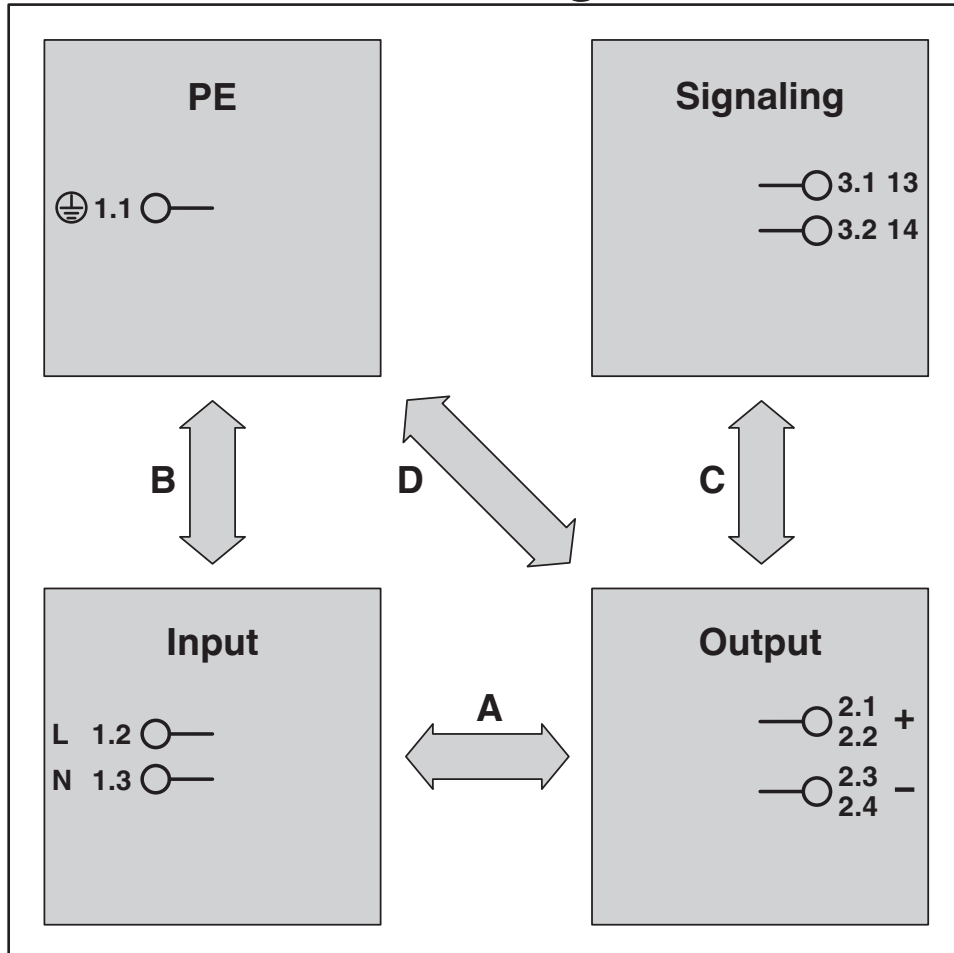
Dimensional drawing



Device dimensions (dimensions in mm)

Schematic diagram

# Housing



Test sections, insulation voltage

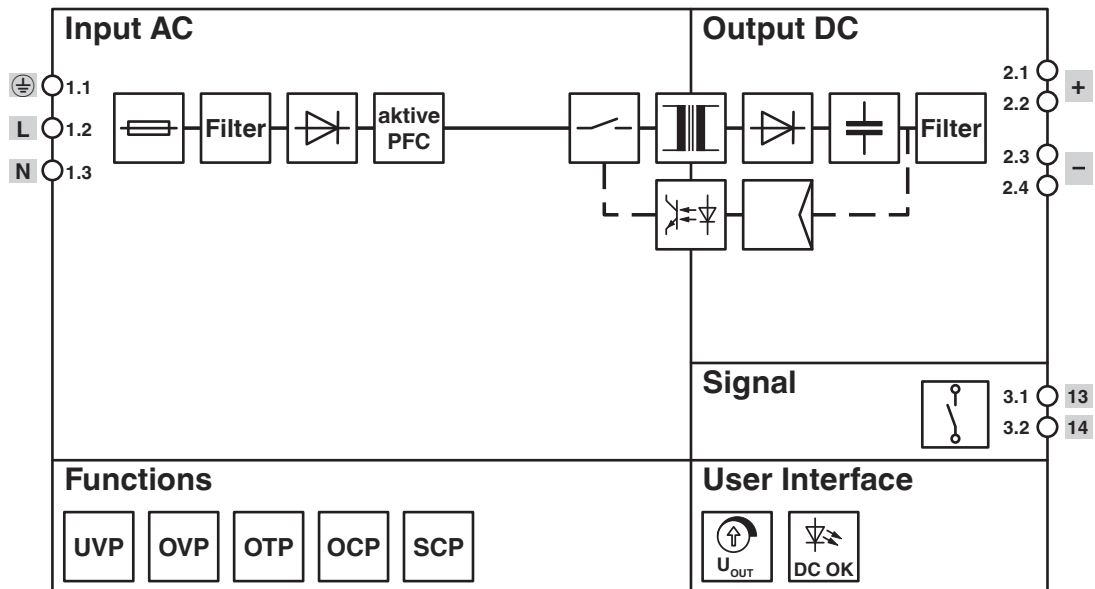
# UNO2-PS/1AC/24DC/240W - Power supply unit



1096432

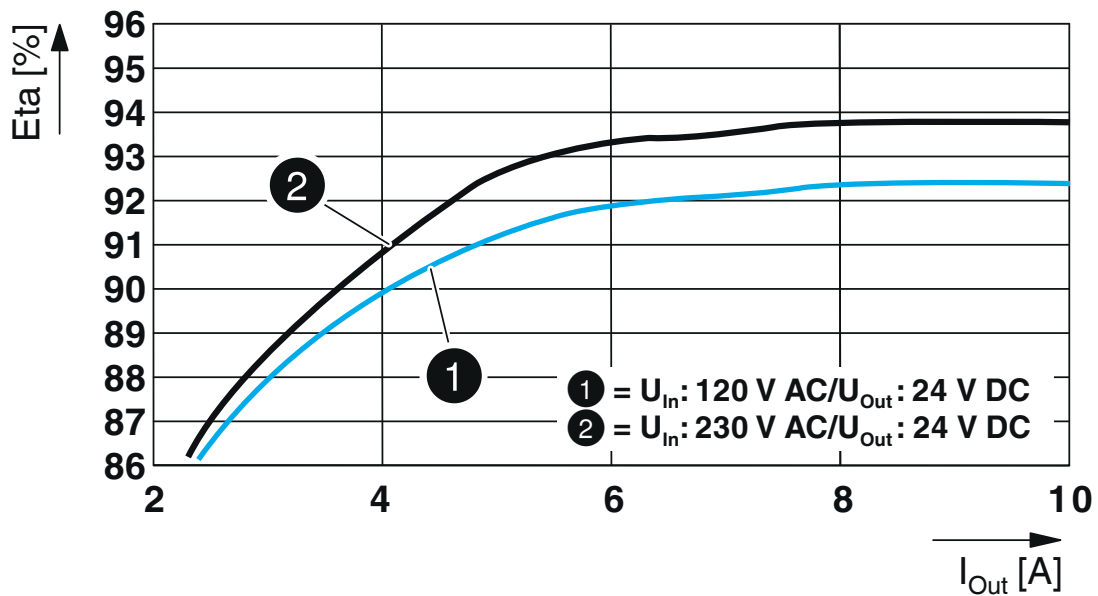
<https://www.phoenixcontact.com/us/products/1096432>

Block diagram



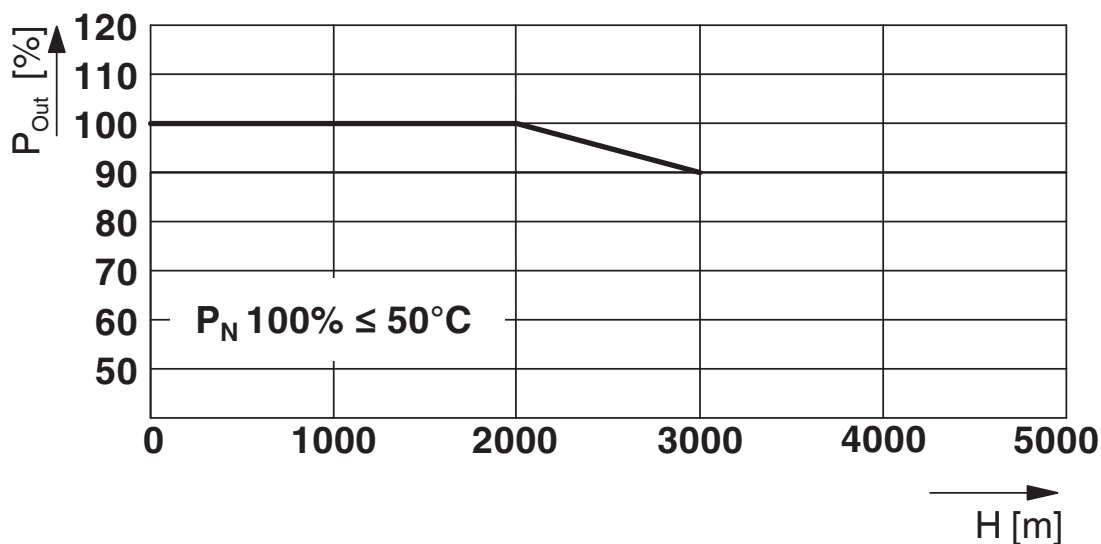
Block diagram

Diagram



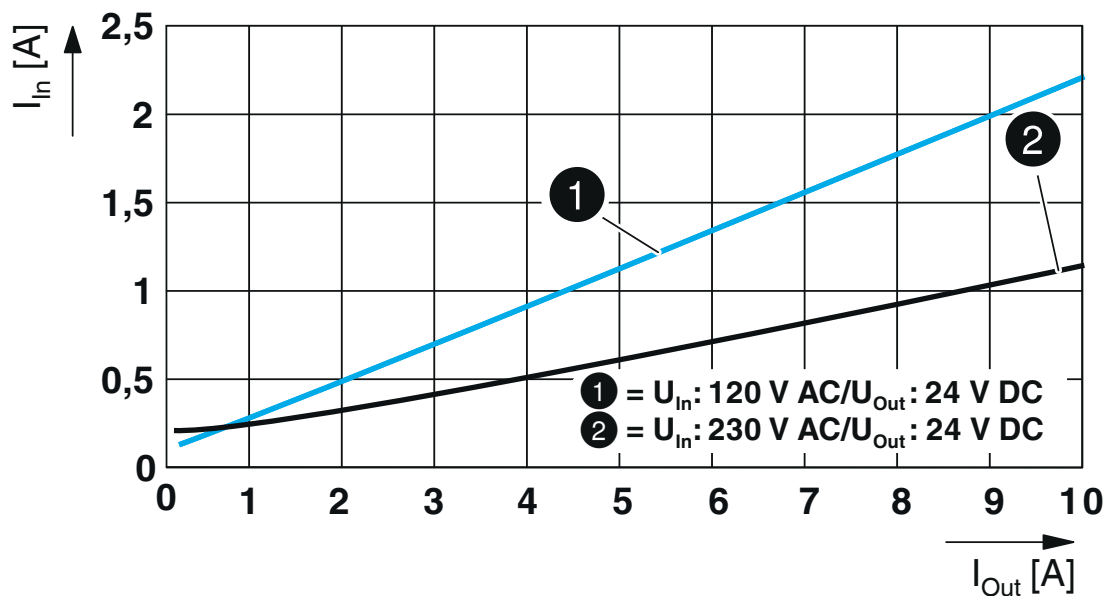
Efficiency

Diagram



Output power/installation altitude

Diagram



Input current/output current

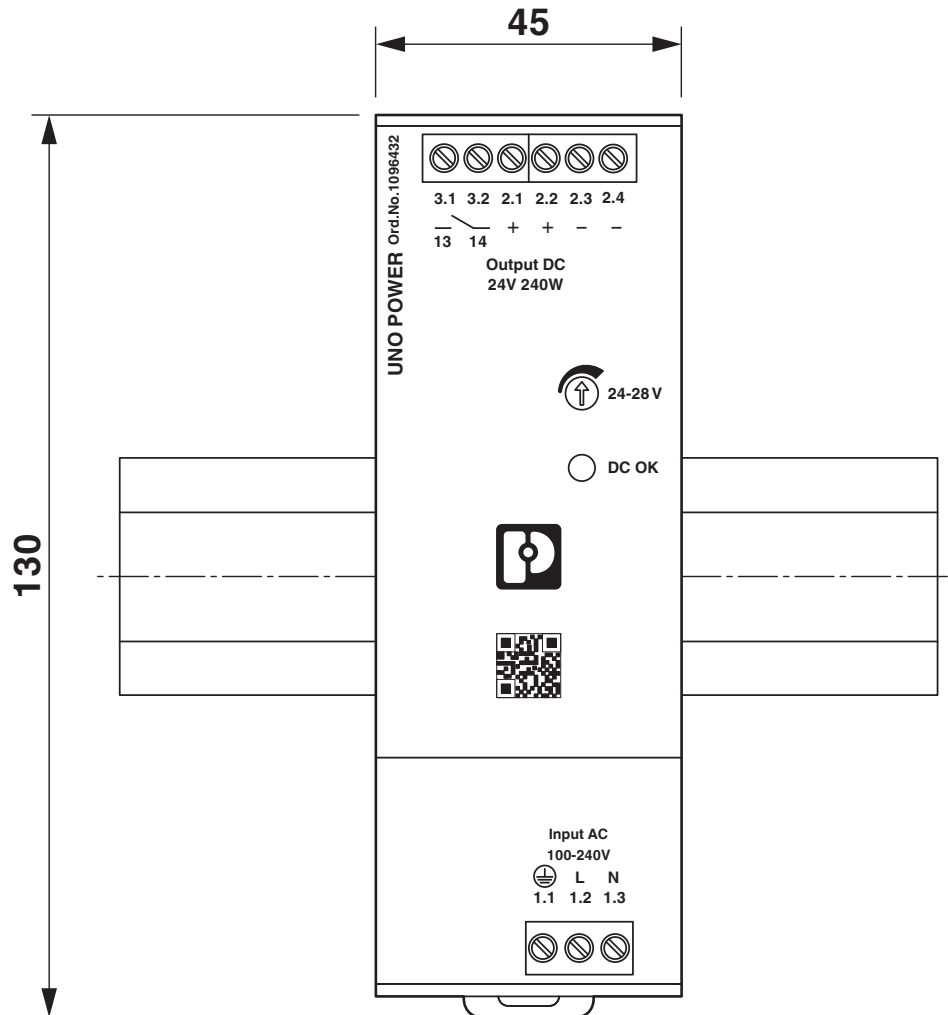
# UNO2-PS/1AC/24DC/240W - Power supply unit



1096432

<https://www.phoenixcontact.com/us/products/1096432>

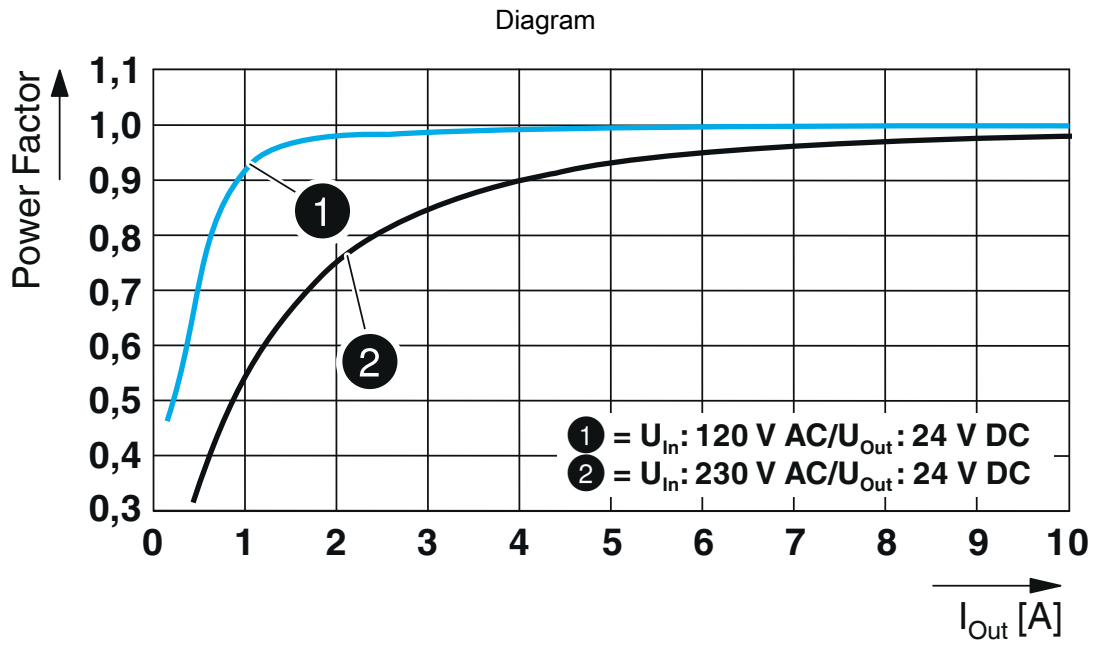
Dimensional drawing



Device dimensions (dimensions in mm)

1096432

<https://www.phoenixcontact.com/us/products/1096432>



Power factor

# UNO2-PS/1AC/24DC/240W - Power supply unit



1096432

<https://www.phoenixcontact.com/us/products/1096432>

## Approvals



**cULus Listed**

Approval ID: FILE E 123528



**EAC**

Approval ID: RU S-DE.BL08.W.00764



**EAC**

Approval ID: RU S-DE.BL08.W.00764



**cULus Listed**

Approval ID: FILE E 199827

# UNO2-PS/1AC/24DC/240W - Power supply unit



1096432

<https://www.phoenixcontact.com/us/products/1096432>

## Classifications

### ECLASS

|             |          |
|-------------|----------|
| ECLASS-9.0  | 27040701 |
| ECLASS-11.0 | 27040701 |

### ETIM

|          |          |
|----------|----------|
| ETIM 8.0 | EC002540 |
|----------|----------|

### UNSPSC

|             |          |
|-------------|----------|
| UNSPSC 21.0 | 39121000 |
|-------------|----------|



# UNO2-PS/1AC/24DC/240W - Power supply unit



1096432

<https://www.phoenixcontact.com/us/products/1096432>

## Environmental Product Compliance

|            |  |
|------------|--|
| REACH SVHC | Lead 7439-92-1   |
| China RoHS | Environmentally Friendly Use Period = 25;  |
|            | For information on hazardous substances, refer to the manufacturer's declaration available under "Downloads" |

# UNO2-PS/1AC/24DC/240W - Power supply unit



1096432

<https://www.phoenixcontact.com/us/products/1096432>

## Accessories

### UNO-DIODE/5-24DC/2X10/1X20 - Redundancy module

2905489

<https://www.phoenixcontact.com/us/products/2905489>



Redundancy module, 5 V - 24 V DC, 2 x 10 A, 1 x 20 A.

---

### QUINT4-ORING/12-24DC/2X10/2X10 - Redundancy module

1088206

<https://www.phoenixcontact.com/us/products/1088206>



Active redundancy module QUINT ORING with decoupling MOSFET, ACB Technology, DIN rail mounting, 12 V DC ... 24 V DC, 2x 10 A, 2x 10 A

# UNO2-PS/1AC/24DC/240W - Power supply unit

1096432

<https://www.phoenixcontact.com/us/products/1096432>



## TRIO2-DIODE/12-24DC/2X20/1X40 - Redundancy module

2907379

<https://www.phoenixcontact.com/us/products/2907379>

Redundancy module, 12 V - 24 V DC, 2 x 20 A, 1 x 40 A



---

## PLT-SEC-T3-230-FM-UT - Type 3 surge protection device

2907919

<https://www.phoenixcontact.com/us/products/2907919>

Type 2/3 surge protection, consisting of protective plug and base element with screw connection. For single-phase power supply network with integrated status indicator and remote signaling. Nominal voltage: 230 V AC/DC



# UNO2-PS/1AC/24DC/240W - Power supply unit



1096432

<https://www.phoenixcontact.com/us/products/1096432>

## CBMC E4 24DC/1-4A NO - Electronic circuit breaker

2906031

<https://www.phoenixcontact.com/us/products/2906031>



Multi-channel electronic circuit breaker for protecting four loads at 24 V DC in the event of overload and short circuit. With electronic locking of the set nominal currents. For installation on DIN rails.

---

## CBMC E4 24DC/1-10A NO - Electronic circuit breaker

2906032

<https://www.phoenixcontact.com/us/products/2906032>



Multi-channel electronic circuit breaker for protecting four loads at 24 V DC in the event of overload and short circuit. With electronic locking of the set nominal currents. For installation on DIN rails.

# UNO2-PS/1AC/24DC/240W - Power supply unit



1096432

<https://www.phoenixcontact.com/us/products/1096432>

## CBMC E4 24DC/1-4A+ IOL - Electronic circuit breaker

2910410

<https://www.phoenixcontact.com/us/products/2910410>



Multi-channel electronic circuit breaker with IO-Link interface for protecting four loads at 24 V DC in the event of overload and short circuit. With electronic locking of the set nominal currents. For installation on DIN rails.

---

## CBMC E4 24DC/1-10A IOL - Electronic circuit breaker

2910411

<https://www.phoenixcontact.com/us/products/2910411>



Multi-channel electronic circuit breaker with IO-Link interface for protecting four loads at 24 V DC in the event of overload and short circuit. With electronic locking of the set nominal currents. For installation on DIN rails.

# UNO2-PS/1AC/24DC/240W - Power supply unit



1096432

<https://www.phoenixcontact.com/us/products/1096432>

## CBM E4 24DC/0.5-10A NO-R - Electronic circuit breaker

2905743

<https://www.phoenixcontact.com/us/products/2905743>



Multi-channel, electronic circuit breaker with active current limitation for protecting four loads at 24 V DC in the event of overload and short circuit. With nominal current assistant and electronic locking of the set nominal currents. For installation on DIN rails.

---

## CBM E8 24DC/0.5-10A NO-R - Electronic circuit breaker

2905744

<https://www.phoenixcontact.com/us/products/2905744>



Multi-channel, electronic circuit breaker with active current limitation for protecting eight loads at 24 V DC in the event of overload and short circuit. With nominal current assistant and electronic locking of the set nominal currents. For installation on DIN rails.

---

Phoenix Contact 2023 © - all rights reserved  
<https://www.phoenixcontact.com>

Phoenix Contact USA  
586 Fulling Mill Road  
Middletown, PA 17057, United States  
(+717) 944-1300  
[info@phoenixcon.com](mailto:info@phoenixcon.com)