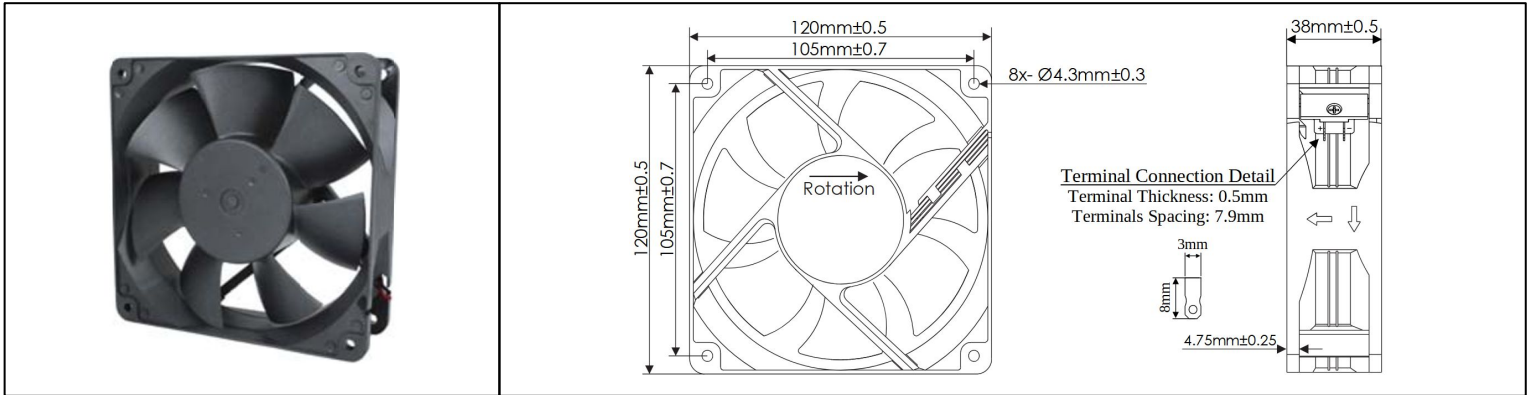


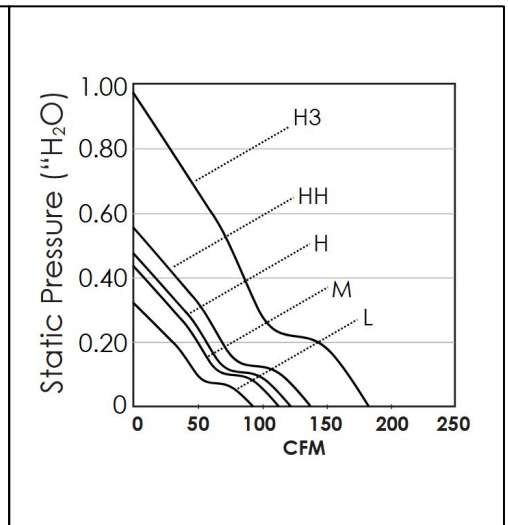
OD1238 Terminal Series



DC Fans - 12, 24, 48V
120mm x 38mm (4.7" x 1.5")



Frame	PBT, UL94 V-0 Plastic	Operating Temperature -20°C ~ +65°C Storage Temperature -25°C ~ +70°C Life Expectancy 65,000 Hours (L10 at 45°C) Available Options Tachometer Output Alarm Output PWM Speed Control Input Temperature Speed Control IP Ratings Weight: 0.57 lbs
Impeller	PBT, UL94 V-0 Plastic	
Connection	Terminals	
Motor	Brushless DC, Auto Cutoff, Auto Restart, Polarity Protected, Electronically Protected	
Bearing System	Ball Bearings	
Dielectric Strength	500VDC/min, <1mA	
Insulation Resistance	≥10MΩ @ 500 VDC	



Part Number	Rated Voltage (Volts DC)	Voltage Range (Volts DC)	Input Power (Watts)	Rated Current (Amps)	Rated Speed (RPM)	Max Airflow (CFM)	Noise Level (dBA)	Max Static Pressure ("H ₂ O)
OD1238-12H3TB	12	9 ~ 13.8	17.7	1.43	4190	178.0	54.0	0.977
OD1238-12HHTB	12	9 ~ 13.8	10.0	0.90	3195	135.8	48.2	0.558
OD1238-12HTB	12	9 ~ 13.8	6.0	0.50	2895	124.1	44.1	0.469
OD1238-12MTB	12	9 ~ 13.8	4.8	0.40	2597	114.7	41.3	0.427
OD1238-12LTB	12	9 ~ 13.8	2.4	0.20	1975	89.5	35.6	0.316
OD1238-24H3TB	24	16 ~ 26	22.1	0.90	4190	178.0	54.0	0.98
OD1238-24HHTB	24	16 ~ 26	15.0	0.62	3195	135.8	48.2	0.558
OD1238-24HTB	24	16 ~ 26	12.0	0.50	2895	124.1	44.1	0.469
OD1238-24MTB	24	16 ~ 26	8.0	0.34	2597	114.7	41.3	0.427
OD1238-24LTB	24	16 ~ 26	4.0	0.15	1975	89.5	35.6	0.316
OD1238-48H3TB	48	30 ~ 52	20.5	0.41	4190	178.0	54.0	0.98
OD1238-48HHTB	48	30 ~ 52	15.0	0.30	3195	135.8	48.2	0.558
OD1238-48HTB	48	30 ~ 52	14.0	0.29	2895	124.1	44.1	0.469
OD1238-48MTB	48	30 ~ 52	7.0	0.14	2597	114.7	41.3	0.427
OD1238-48LTB	48	30 ~ 52	4.0	0.07	1975	89.5	35.6	0.316