

PRODUCT INFORMATION PACKET



Model No: 119561.00
Catalog No: 119561.00
Brake Motor, 1 HP, 3 Ph, 60 Hz, 230/460 V, 1800 RPM, 56 Frame, TEFC



Regal and Leeson are trademarks of Regal Rexnord Corporation or one of its affiliated companies.
©2023 Regal Rexnord Corporation, All Rights Reserved. MC017097E





Nameplate Specifications

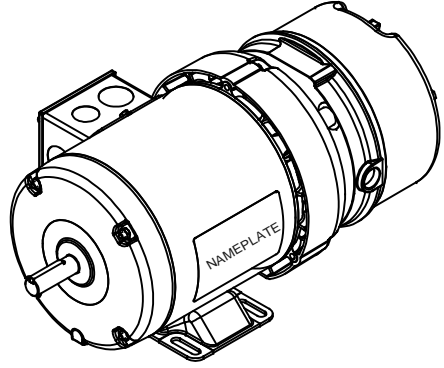
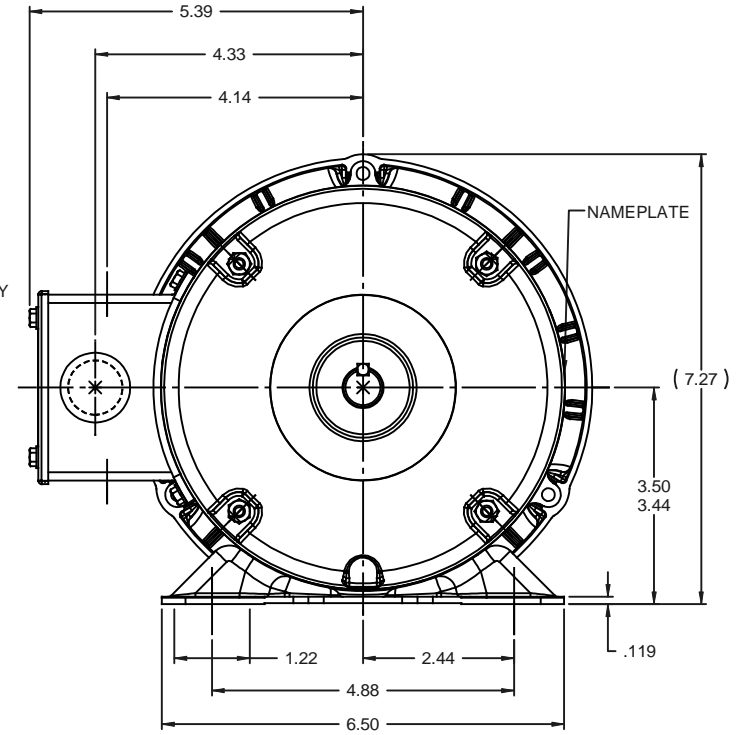
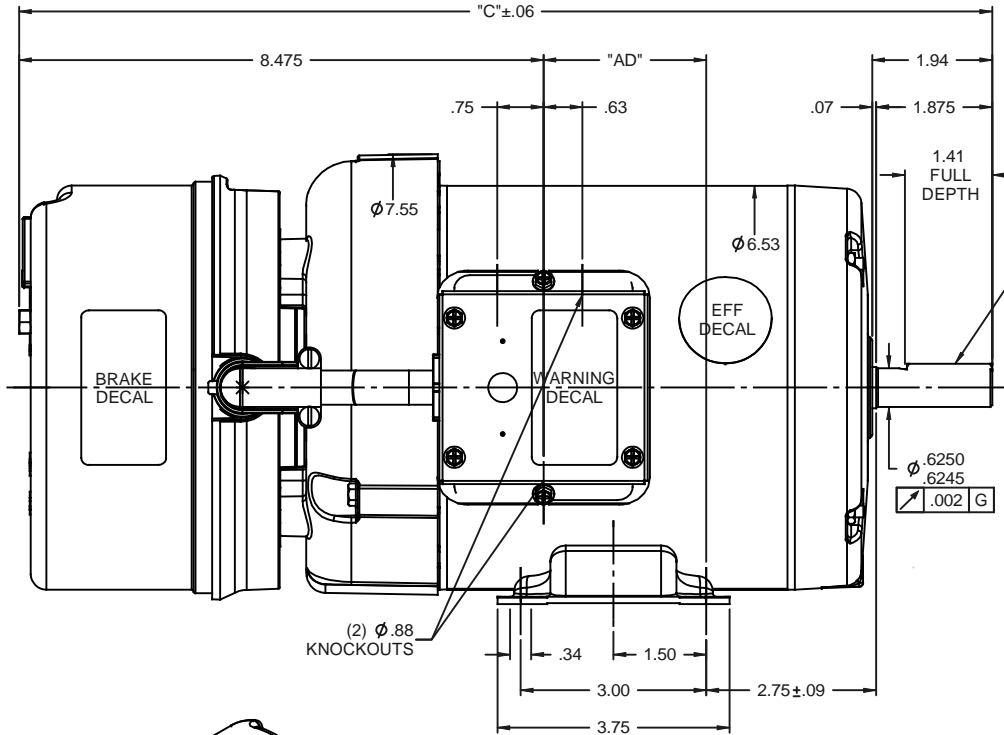
Output HP	1 Hp	Output KW	0.75 kW
Frequency	60 Hz	Voltage	230/460 V
Current	3.2/1.6 A	Speed	1760 rpm
Service Factor	1.15	Phase	3
Efficiency	85.5 %	Power Factor	68.5
Duty	Continuous	Insulation Class	B
Design Code	B	KVA Code	N
Frame	56	Enclosure	Totally Enclosed Fan Cooled
Thermal Protection	No Protection	Ambient Temperature	40 °C
Drive End Bearing Size	6203	Opp Drive End Bearing Size	6203
UL	Recognized	CSA	Y
CE	Y	IP Code	43
Number of Speeds	1		

Technical Specifications

Electrical Type	Squirrel Cage Induction Run	Starting Method	Across The Line
Poles	4	Rotation	Reversible
Resistance Main	12.96 Ohms	Mounting	Rigid Base
Motor Orientation	Horizontal	Drive End Bearing	Ball
Opp Drive End Bearing	Ball	Frame Material	Rolled Steel
Shaft Type	NEMA 56	Overall Length	17.23 in
Frame Length	7.00 in	Shaft Diameter	0.625 in
Shaft Extension	1.88 in	Assembly/Box Mounting	F1 ONLY
Outline Drawing	028936-700	Connection Drawing	005010.51

This is an uncontrolled document once printed or downloaded and is subject to change without notice. Date Created:03/15/2023

RBC PROPRIETARY AND CONFIDENTIAL INFORMATION
 This document is the property of REGAL BELOIT CORPORATION ("RBC") including its subsidiaries and divisions and contains proprietary information of RBC. This document is loaned on the express condition that neither it nor the information contained therein shall be disclosed to others without the express written consent of RBC, and that the information shall be used by the recipient only as approved expressly by RBC. This document shall be returned to RBC upon its request. This document may be subject to certain restrictions under U.S. export control laws and regulations.



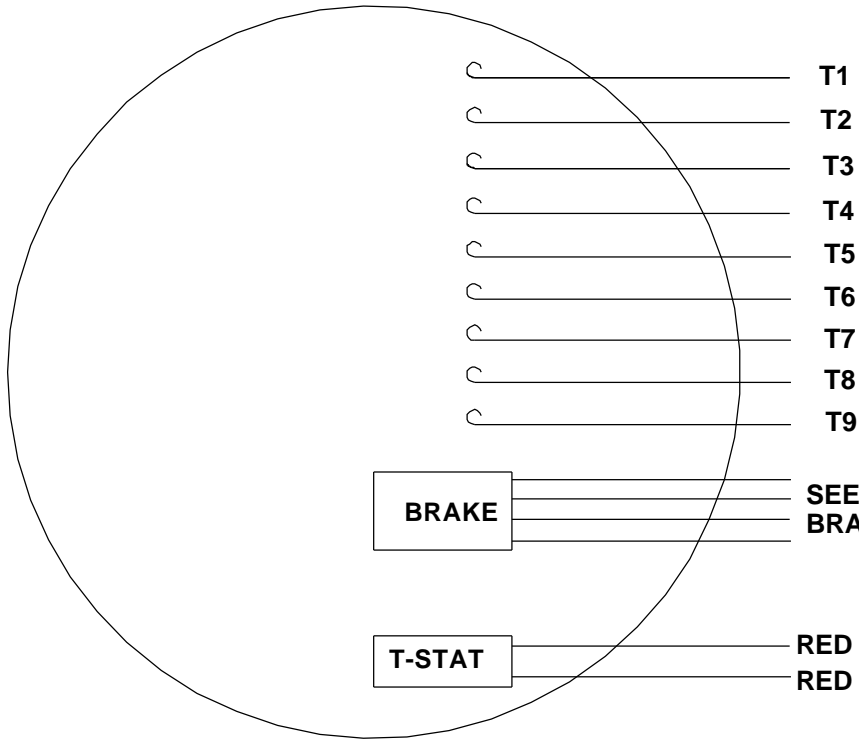
DASH NO.	"C"	"AD"
500	15.23	2.13
550	15.73	2.63
600	16.23	3.13
650	16.73	3.63
700	17.23	4.13

NOTE:
 1) GASKETS THROUGHOUT

REVISION		BY & DATE	CHK ANG ±1/2°	FINISH	PAGE OF	
THIRD ANGLE PROJECTION		RFP 12/19/08	PREV	SIZE	DRAWING NO	REV
			NETWORK FILE NAME	B	028936	

TOLERANCES UNLESS SPECIFIED:		DRAWN GRB 12/19/08
DEC INCHES		CHK DJ 12/19/08
x ±.1		APPR DJ 12/19/08
.xx ±.03		SCALE 1:2
.xxx ±.005	TITLE OUTLINE - 56 FRAME	REF 028530
.xxx ±.005	T.E.F.C. - RIGID	FMF 114146.00
	MATL BRAKEMOTOR	

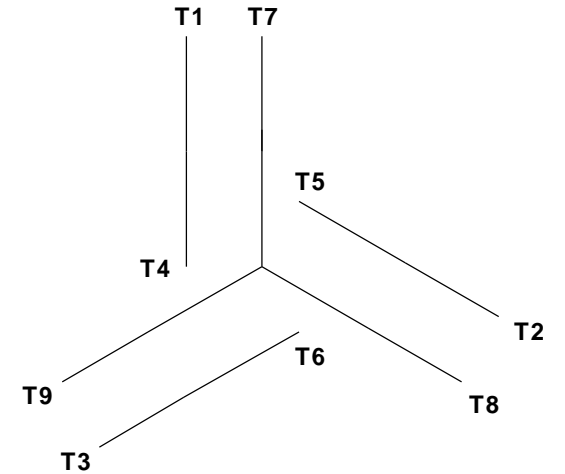
VIEW FROM OUTSIDE OF MOTOR AT SWITCH END.



CAUTION:
LEAD WIRE INSULATION TO EXTEND
MINIMUM OF 1/4" INTO CONNECTOR
INSULATION

SEE TABLE FOR
BRAKE CONNECTIONS

LINE LEADS



VOLTAGE	L1	L2	L3	JOIN & INSULATE
HIGH	T1	T2	T3	(T4,T7) (T5,T8) (T6,T9)
LOW	T1,T7	T2,T8	T3,T9	T4,T5,T6

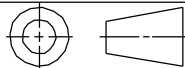
REF. DECAL (MOTOR) - 004014
 REF. DECAL (BRAKE) - 080035 (STEARNS & DINGS BRAKE)
 TYPE "T" W/O PROTECTOR

RBC PROPRIETARY AND CONFIDENTIAL INFORMATION
 This document is the property of REGAL BELOIT CORPORATION ("RBC") including its subsidiaries and divisions and contains proprietary information of RBC. This document is loaned on the express condition that neither it nor the information contained therein shall be disclosed to others without the express written consent of RBC, and that the information shall be used by the recipient only as approved expressly by RBC. This document shall be returned to RBC upon its request. This document may be subject to certain restrictions under U.S. export control laws and regulations.

BRAKE CONNECTION						
VOLTAGE	STEARNS BRAKE			DINGS BRAKE		
	L1	L2	JOIN	L1	L2	JOIN
HIGH	1(RED)	2(RED)	3(BLACK) 4(BLACK)	2(BLACK)	4(YELLOW)	1(YELLOW) 3(BLACK)
LOW	1(RED) 3(BLACK)	2(RED) 4(BLACK)	-----	2(BLACK) 3(BLACK)	1(YELLOW) 4(YELLOW)	-----

				TOLERANCES UNLESS SPECIFIED		Regal-Beloit Corporation		DRAWN - VJB 09/24/13			
				DEC	INCHES			CHK	APPR		
				.X	±.1	TITLE EXTERNAL WIRING DIAGRAM STANDARD 3 PHASE - DUAL VOLTAGE MAT'L W/STEARNS OR DING DUAL VOLTAGE BRAKE CONN. FINISH W/T-STATS		SCALE	1:1		
				.XX	±.01			REF	005010.15		
				.XXX	±.005			FMF	117992.00		
				.XXXX	±.0005			PAGE	OF		
NO	REVISION	BY & DATE	CHK	ANG	±1/2°	RFP		PREV	SIZE	DRAWING NO	REV
						NETWORK FILE NAME		00501051	A	005010-51	

THIRD ANGLE PROJECTION





**1051 CHEYENNE AVE.
GRAFTON, WI 53024
PH. 262-377-8810**

CATALOG #: 119561.00

CONN. DIAGRAM: 005010.51

OUTLINE: 028936-700

MOUNTING: F1 ONLY

WINDING #: T634342 FR 3 Q

TYPICAL MOTOR PERFORMANCE DATA

HP	kW	SYNC. RPM	F.L. RPM	FRAME	ENCLOSURE	KVA CODE	DESIGN
1	0.75	1800	1760	56	TEFC	N	B

PH	Hz	VOLTS	AMPS	START TYPE	DUTY	INSL	S.F.	AMB°C
3	60	230/460	3.2/1.6	ACROSS THE LINE	CONTINUOUS	B4	1.15	40

FULL LOAD EFF:	85.5	3/4 LOAD EFF:	85.4	1/2 LOAD EFF:	79.6	GTD. EFF		ELEC. TYPE	
FULL LOAD PF:	68.5	3/4 LOAD PF:	61.5	1/2 LOAD PF:	51.5	0		SQ CAGE IND RUN	

F.L. TORQUE	LOCKED ROTOR AMPS	L.R. TORQUE	B.D. TORQUE	F.L. RISE°C
3 LB-FT	28 / 14	12 LB-FT 0 %	15.8 LB-FT 0 %	0

SOUND PRESSURE @ 3 FT.	SOUND POWER	ROTOR WK^2	MAX. WK^2	SAFE STALL TIME	STARTS / HOUR	APPROX. MOTOR WGT
0 dBA	10 dBA	0.12 LB-FT^2	0.1 LB-FT^2	10 SEC.	0	0 LBS.

***** SUPPLEMENTAL INFORMATION *****

DE BRACKET TYPE	ODE BRACKET TYPE	MOUNT TYPE	ORIENTATION	SEVERE DUTY	HAZARDOUS LOCATION	DRIP COVER	SCREENS	PAINT
STANDARD	BRAKE	RIGID	HORIZONTAL	FALSE	NONE	FALSE	NONE	BLUE - LEESON (ENAMEL)

BEARINGS		GREASE	SHAFT TYPE	SPECIAL DE	SPECIAL ODE	SHAFT MATERIAL	FRAME MATERIAL
DE	ODE						
BALL	BALL	POLYREX EM	STANDARD 56	NONE	NONE	1144 STRESSPROOF (C-223)	ROLLED STEEL
6203	6203						

THERMO-PROTECTORS				THERMISTORS	CONTROL	SPACE HEATERS
THERMOSTATS	PROTECTORS	WDG RTDs	BRG RTDs			
NONE	NOT	NONE	NONE	NONE	FALSE	NONE VOLTS

*
N
O
T
E
S

INVERTER TORQUE: NONE
INV. HP SPEED RANGE: NONE
ENCODER: NONE NONE NONE NONE NONE PPR
BRAKE: REGAL SUPPLIED AND MOUNT NONE
STEARNS P/N 004225.23 56,000 NEMA 2 6 FT-LB 230/460 V 60 Hz



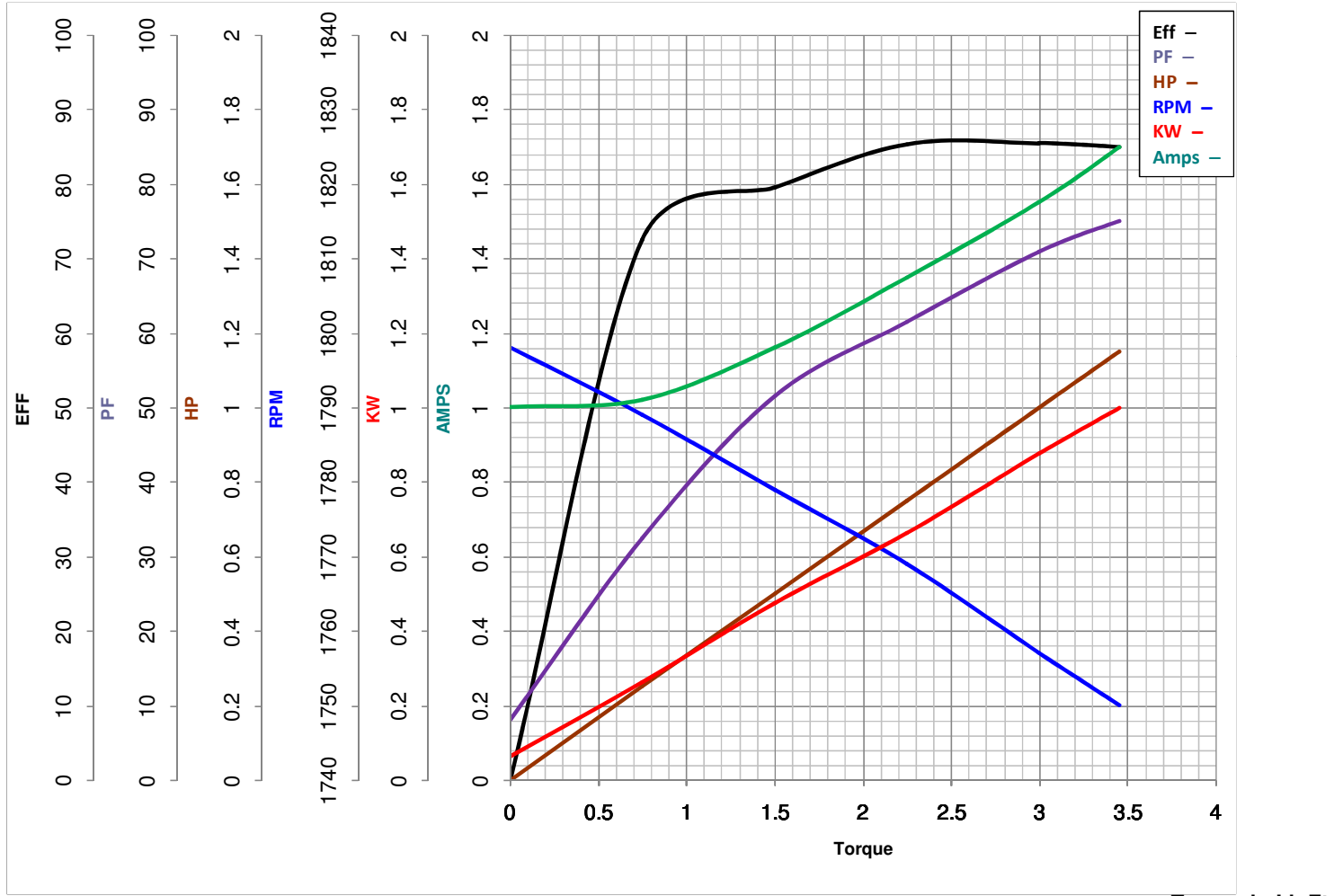
LEESON ELECTRIC CORPORATION
TYPICAL PERFORMANCE CURVE for AC MOTOR

Model No 119561.00

Curve at 460 Volts HP 1.00 PHASE 3
60 HZ
1 HP VOLTS 230/460

Catalog No 119561.00

HZ 60 RPM 1760



Torque in Lb.Ft

FL TORQUE 3 Lb.Ft
BD TORQUE 15.8 Lb.Ft
LR TORQUE 12 Lb.Ft

FL AMPS 3.2/1.6
PU TORQUE 11.9 Lb.Ft
LR AMPS 14

WINDING T634342-3

Date 5/28/2018

EC Declaration of Conformity

The undersigned representing
the manufacturer:

Regal Beloit America
100 East Randolph St.
Wausau, WI 54401

and the authorized representative
established within the Community:

Marathon Electric UK
6F Thistleton Road Ind. Estate
Market Overton
Oakham, Rutland LE15 7PP UK

are committed to providing customers with products that comply with applicable regulations and international protocols to which they are subject, including the requirements of the European Parliament Directive on the Harmonization of the laws relating to electrical equipment designed for use within certain voltage limits (2014/35/EU).

Regal Beloit America declares that the following product(s), to which this declaration relates, are in conformity with the relevant sections of the EC standards listed below.

This statement supersedes any statements previously issued pertaining to the product(s) listed below and is subject to change without notice.

Model No : 119561.00

(Model No. may contain prefix and/or suffix characters)

Catalog No : 119561.00

Rework No : N/A

Directives :

Low Voltage Directive 2014/35/EU

Harmonized Standards Used :

EN 60034-1: 2010 (IEC 60034-1: 2010)

EN 60034-5: 2001/A1:2007 (IEC 60034-5: 2000/A1:2006)

Authorized Representative:



Michael A. Logsdon
Vice President, Technology

Authorized Representative in the Community:



Julian Clark
Marketing Engineer

Created on 09/01/2022

CE 22