
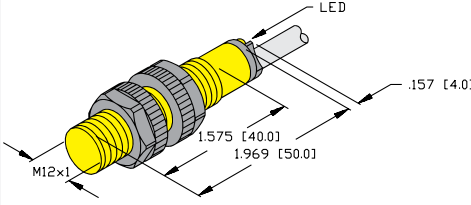
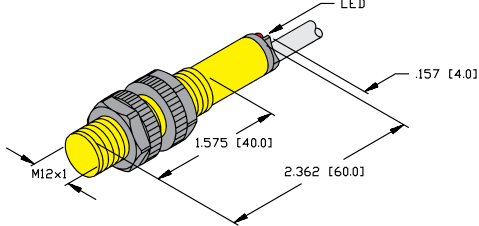
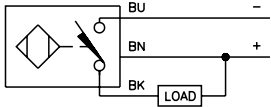
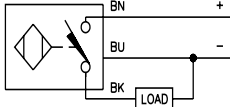
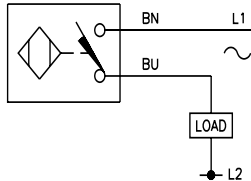


Inductive Barrel Sensors | 12 mm

Threaded Plastic Barrels with Cable and AC/DC Outputs

Housing Style	Dimension Drawings	
	<p>A</p>  <p>12 mm - Embeddable/Nonembeddable, Plastic, Potted-In Cable</p>	<p>B</p>  <p>12 mm - Embeddable/Nonembeddable, Plastic, Potted-In Cable</p>

Wiring Diagrams/Mating Cordsets		
<p>1</p> 	<p>2</p> 	<p>3</p> 

A4	3 and 4-wire DC - (AN, RN, AP, RP, VN, VP)	
<p>Ripple: $\leq 10\%$</p> <p>Differential Travel (Hysteresis): 3-15% (5% typical)</p> <p>Voltage Drop Across Conducting Sensor: $\leq 1.8\text{ V}$</p> <p>Trigger Current for Short Circuit Protection: $\geq 220\text{ mA}$ on 200 mA Load Current $\geq 170\text{ mA}$ on 150 mA Load Current $\geq 120\text{ mA}$ on 100 mA Load Current</p> <p>Off-State (Leakage) Current: $\leq 0.1\text{ mA}$</p> <p>No-Load Current: $\leq 15\text{ mA}$ (Ferrite, Uprox) $\leq 20\text{ mA}$ (Uprox+, Uprox3)</p>		<p>Time Delay Before Availability: $\leq 8\text{ ms}$</p> <p>Power-On Effect: Per IEC 947-5-2</p> <p>Reverse Polarity Protection: Incorporated</p> <p>Wire-Break Protection: Incorporated</p> <p>Transient Protection: Per EN 60947-5-2</p> <p>Temperature Drift: $\leq \pm 10\%$</p> <p>Shock: 30 g, 11 ms</p> <p>Vibration: 55 Hz, 1 mm Amplitude in all 3 Planes</p> <p>Repeatability: $\leq 2\%$ of Rated Operating Distance</p>
A6	2-wire AC/DC w/o Short-Circuit Protection - (AZ, RZ, FZ)	
<p>Line Frequency: $\geq 50\text{...} \leq 60\text{ Hz}$</p> <p>Differential Travel (Hysteresis): 3-15% (5% typical)</p> <p>Voltage Drop Across Conducting Sensor: $\leq 6.0\text{ V}$</p> <p>Continuous Load Current: AC: $\leq 400\text{ mA}$; DC: $\leq 300\text{ mA}$ AC: $\leq 100\text{ mA}$; DC: $\leq 100\text{ mA}$</p> <p>Off-State (Leakage) Current: $\leq 1.7\text{ mA}$</p> <p>Minimum Load Current: $\geq 3.0\text{ mA}$</p>		<p>Inrush Current: $\leq 8\text{ A}$ ($\leq 10\text{ms}$ max. 5 Hz) $\leq 1\text{ A}$ ($\leq 10\text{ ms}$ max. 5 Hz) 12 mm $\leq 0.2\text{ A}$ ($\leq 10\text{ ms}$ max. 0.2 Hz) 8 mm</p> <p>Power-On Effect: Per IEC 947-5-2</p> <p>Transient Protection: Per EN 60947-5-2</p> <p>Shock: 30 g, 11 ms</p> <p>Vibration: 55 Hz, 1 mm Amplitude, in all 3 Planes</p> <p>Repeatability: $\leq 2\%$ of Rated Operating Distance</p>

We reserve the right to make technical alterations without prior notice.



Inductive Barrel Sensors | 12 mm

Threaded Plastic Barrels with Cable and AC/DC Outputs

Part Number/ ID Number	Features	Sensing Range (mm)	Output	Voltage	Switching Freq. (Hz)	Operating Current (mA)	Operating Temp. (°C)	Protection	Housing	Face	Power LED	Output LED	Cable Length/Jacket	Dimension Drawings	Wiring Diagrams	Spec List
Bi3U-S12-AN6X 1634520	Uprox	3	3-wire DC NPN	10-30 VDC	3000	≤200	-30 to +85	IP68	PBT	PBT	N/A	YE	2M/PVC	A	1	A4
Bi3U-S12-AP6X 1634500	Uprox	3	3-wire DC PNP	10-30 VDC	3000	≤200	-30 to +85	IP68	PBT	PBT	N/A	YE	2M/PVC	A	2	A4
Bi2-S12-AN6X 46531		2	3-wire DC NPN	10-30 VDC	2000	≤200	-25 to +70	IP67	PA 12	PA 12	N/A	YE	2M/PVC	B	1	A4
Bi2-S12-AN7X 1713800	TTL Compatible	2	3-wire DC NPN	10-30 VDC	2000	≤200	-25 to +70	IP67	PA 12	PA 12	N/A	YE	2M/PVC	B	1	A4
Bi2-S12-AP6X 46530		2	3-wire DC PNP	10-30 VDC	2000	≤200	-25 to +70	IP67	PA 12	PA 12	N/A	YE	2M/PVC	B	2	A4
Bi2-S12-AP7X/S100 17555	TTL Compatible, High Temp. 100 °C	2	3-wire DC PNP	10-30 VDC	2000	≤200	-25 to +100	IP67	PA 12	PA 12	N/A	YE	2M/PVC	B	2	A4
Bi2-S12-AZ31X 13020		2	2-wire AC/DC	20-250 VAC/10- 300 VDC	20	≤100	-25 to +70	IP67	PA 12	PA 12	N/A	RD	2M/PVC	B	3	A6
Bi2-S12-AZ31X/S100 1302001	High Temp. 100 °C	2	2-wire AC/DC	20-250 VAC/10- 300 VDC	20	≤100	-25 to +100	IP67	PA 12	PA 12	N/A	RD	2M/PVC	B	3	A6
Ni8U-S12-AN6X 1644520	Uprox	8	3-wire DC NPN	10-30 VDC	2000	≤200	-30 to +85	IP68	PBT	PBT	N/A	YE	2M/PVC	A	1	A4
Ni8U-S12-AP6X 1644500	Uprox	8	3-wire DC PNP	10-30 VDC	2000	≤200	-30 to +85	IP68	PBT	PBT	N/A	YE	2M/PVC	A	2	A4
Ni4-S12-AN6X 46533		4	3-wire DC NPN	10-30 VDC	2000	≤200	-25 to +70	IP67	PA 12	PA 12	N/A	YE	2M/PVC	B	1	A4
Ni4-S12-AN7X 1713900	TTL Compatible	4	3-wire DC NPN	10-30 VDC	1500	≤200	-25 to +70	IP67	PA 12	PA 12	N/A	YE	2M/PVC	B	1	A4
Ni4-S12-AP6X 46532		4	3-wire DC PNP	10-30 VDC	2000	≤200	-25 to +70	IP67	PA 12	PA 12	N/A	YE	2M/PVC	B	2	A4
Ni4-S12-AZ31X 13022		4	2-wire AC/DC	20-250 VAC/10- 300 VDC	20	≤100	-25 to +70	IP67	PA 12	PA 12	N/A	RD	2M/PVC	B	3	A6
Ni4-S12-AZ31X/S100 1302201	High Temp. 100 °C	4	2-wire AC/DC	20-250 VAC/10- 300 VDC	20	≤100	-25 to +100	IP67	PA 12	PA 12	N/A	RD	2M/PVC	B	3	A6

We reserve the right to make technical alterations without prior notice.

Inductive Barrel Sensors

