

ELR H5-IES-SC/500AC-9-IFS - Hybrid motor starter



2905153

<https://www.phoenixcontact.com/us/products/2905153>

Please be informed that the data shown in this PDF document is generated from our online catalog. Please find the complete data in the user documentation. Our general terms of use for downloads are valid.



Networkable hybrid motor starter for reversing 3~ AC motors up to 500 V AC and 9 A output current, with adjustable overload shutdown, emergency stop function up to SIL 3/PL e, and screw connection, DIN rail connector provided.

Your advantages

- 22.5 mm wide
- Safety level in accordance with IEC 61508-1: SIL 3, ISO 13849: PL e
- Reduction in wiring
- Space saving
- Long service life
- 3-phase loop bridges
- Adjustable current for bimetal function
- Low-wear switching

Commercial data

| | |
|--------------------------------------|--------------------|
| Item number | 2905153 |
| Packing unit | 1 pc |
| Minimum order quantity | 1 pc |
| Sales key | C478 |
| Product key | CK7434 |
| Catalog page | Page 24 (C-5-2019) |
| GTIN | 4046356920346 |
| Weight per piece (including packing) | 317.3 g |
| Weight per piece (excluding packing) | 282.7 g |
| Customs tariff number | 85371098 |
| Country of origin | DE |

Technical data

Product properties

| | |
|----------------|-----------------------|
| Product type | Hybrid motor starters |
| Product family | CONTACTRON |
| Operating mode | 100% operating factor |

Electrical properties

| | |
|---|-------------------------|
| Number of phases | 3 |
| Motor starter type | Reversing starter |
| Maximum power dissipation for nominal condition | 12 W |
| Switching frequency | ≤ 2 Hz (Load-dependent) |
| Maximum power dissipation | 7 W |
| Minimum power dissipation | 0.88 W |
| Coordination type | 1 |

Supply

| | |
|--|---|
| Rated control circuit supply voltage U_S | 24 V DC |
| Control supply voltage range | 19.2 V DC ... 30 V DC |
| Rated control supply current I_S | 60 mA |
| Protective circuit | Surge protection Reverse polarity protection; Parallel polarity protection diode |

Insulation characteristics

| | |
|--|--|
| Rated insulation voltage | 550 V |
| Rated surge voltage | 6 kV |
| Overvoltage category | III |
| Degree of pollution | 2 |
| Insulation characteristics between the control input and control supply voltage, and auxiliary circuit to the main circuit | Safe isolation (IEC 60947-1) |
| Isolation characteristics between the control input and control supply voltage to auxiliary circuit | Safe isolation (IEC 60947-1) in the auxiliary circuit ≤ 300 V AC |

Emergency tripping

| | |
|-------------------|---------|
| Operate threshold | > 60 A |
| Response time | < 0.5 s |

Input data

Control

| | |
|-------------------------------|---|
| Input name | Enable input |
| Note | The enable input is compatible with signals with blanking (semiconductor output signals with test pulse with max. 3 ms duration), unblanking pulses of max. 4 ms are tolerated without adversely affecting the safety function. |
| Rated actuating voltage U_C | 24 V DC |

ELR H5-IES-SC/500AC-9-IFS - Hybrid motor starter



2905153

<https://www.phoenixcontact.com/us/products/2905153>

| | |
|-------------------------------|-------------------------------|
| Triggering voltage range | 19.2 V DC ... 30 V DC |
| Rated actuating current I_C | 7 mA |
| Switching threshold | 9.6 V ("0" signal) |
| | 19.2 V ("1" signal) |
| Switching level | < 5 V DC (For EMERGENCY STOP) |
| Typical turn-off time | < 30 ms |
| Protective circuit | Reverse polarity protection |

Output data

AC output

| | |
|---|---------------------------------|
| Rated operating voltage U_e | 500 V AC |
| Operating voltage range | 42 V AC ... 550 V AC |
| Rated operating current I_e | 9 A (AC-51) |
| | 7 A (AC-53a) |
| Mains frequency | 50/60 Hz |
| Load current range | 1.5 A ... 9 A (see to derating) |
| Trigger characteristic in acc. with IEC 60947-4-2 | Class 10A |
| Cooling time | 20 min. (for auto reset) |
| Leakage current | 0 mA |
| Protective circuit | Surge protection; Varistor |

Connection data

Control circuits

| | |
|----------------------------------|---|
| Connection method | Screw connection |
| Stripping length | 8 mm |
| Screw thread | M3 |
| Conductor cross section rigid | 0.2 mm ² ... 2.5 mm ² |
| Conductor cross section flexible | 0.2 mm ² ... 2.5 mm ² |
| Conductor cross section AWG | 24 ... 14 |
| Tightening torque | 0.5 Nm ... 0.6 Nm |
| | 5 lb _F -in. ... 7 lb _F -in. |

Load circuit

| | |
|----------------------------------|---|
| Connection method | Screw connection |
| Stripping length | 8 mm |
| Screw thread | M3 |
| Conductor cross section rigid | 0.2 mm ² ... 2.5 mm ² |
| Conductor cross section flexible | 0.2 mm ² ... 2.5 mm ² |
| Conductor cross section AWG | 24 ... 14 |
| Tightening torque | 0.5 Nm ... 0.6 Nm |
| | 5 lb _F -in. ... 7 lb _F -in. |

Signaling

| | |
|----------------|------------|
| Status display | Yellow LED |
|----------------|------------|

ELR H5-IES-SC/500AC-9-IFS - Hybrid motor starter



2905153

<https://www.phoenixcontact.com/us/products/2905153>

| | |
|---------------------------|-----------|
| Operating voltage display | Green LED |
| Error indication | Red LED |

Dimensions

| | |
|--------|---------|
| Width | 22.5 mm |
| Height | 107 mm |
| Depth | 114 mm |

Material specifications

| | |
|--|--------------|
| Flammability rating according to UL 94 | V0 (Housing) |
|--|--------------|

Environmental and real-life conditions

Ambient conditions

| | |
|---|------------------------------------|
| Degree of protection | IP20 |
| Ambient temperature (operation) | -5 °C ... 60 °C (observe derating) |
| Ambient temperature (storage/transport) | -40 °C ... 80 °C |
| Altitude | ≤ 2000 m |

Approvals

UKCA

| | |
|-------------|----------------|
| Certificate | UKCA-compliant |
|-------------|----------------|

ATEX

| | |
|----------------|---|
| Identification | ⊕ II (2) G [Ex eb] [Ex db] [Ex pxb] ⊕ II (2) D [Ex tb] [Ex pb] |
| Certificate | PTB 15 ATEX 3000 |

UL approval

| | |
|-------------|------------------------------|
| Certificate | NLDX.E228652 NRNT.E172140 |
|-------------|------------------------------|

Safety Integrity Level (SIL, IEC 61508)

| | |
|----------------|---------------|
| Identification | ≤ 3 |
| Note | Safe shutdown |

Safety Integrity Level (SIL, IEC 61508)

| | |
|----------------|------------------|
| Identification | 2 |
| Note | Motor protection |

Performance Level (ISO 13849)

| | |
|----------------|---------------|
| Identification | e |
| Note | Safe shutdown |

Category (ISO 13849)

| | |
|----------------|---------------|
| Identification | ≤ 3 |
| Note | Safe shutdown |

ELR H5-IES-SC/500AC-9-IFS - Hybrid motor starter



2905153

<https://www.phoenixcontact.com/us/products/2905153>

UL data

| | |
|--------------------|---|
| SCCR | 100 kA (480 V AC (fuse: 30 A class CC/30 A class J (high fault))) |
| | 5 kA (480 V AC (fuse: 20 A RK5 (standard fault))) |
| FLA | 7.6 A (480 V AC) |
| Group installation | 20 A (class RK5, SCCR 5kA (480 V AC), #24 - 14 AWG max. solid and stranded) |
| | 30 A (class CC or J, SCCR 100kA (480 V AC), #24 - 14 AWG max, solid and stranded) |
| Category code | NLDX / NRNT |
| Horsepower ratings | 2 hp (208 V AC) |
| | 2 hp (230 V AC) |
| | 2 hp (240 V AC) |
| | 5 hp (480 V AC) |

Standards and regulations

Standards/regulations

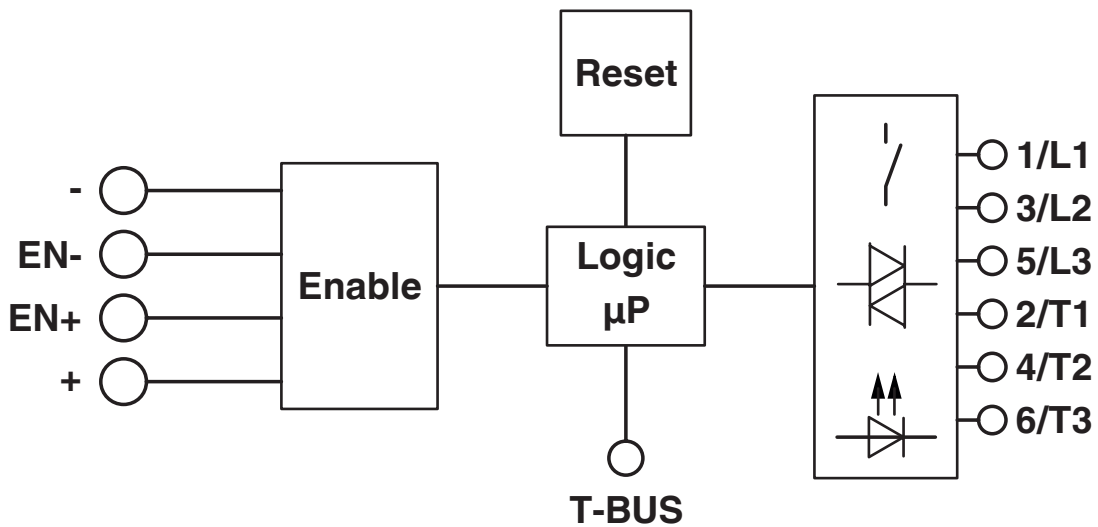
| | |
|-----------------------|--------------|
| Standards/regulations | IEC 60947-1 |
| | EN 60947-4-2 |
| | IEC 61508 |
| | ISO 13849 |

Mounting

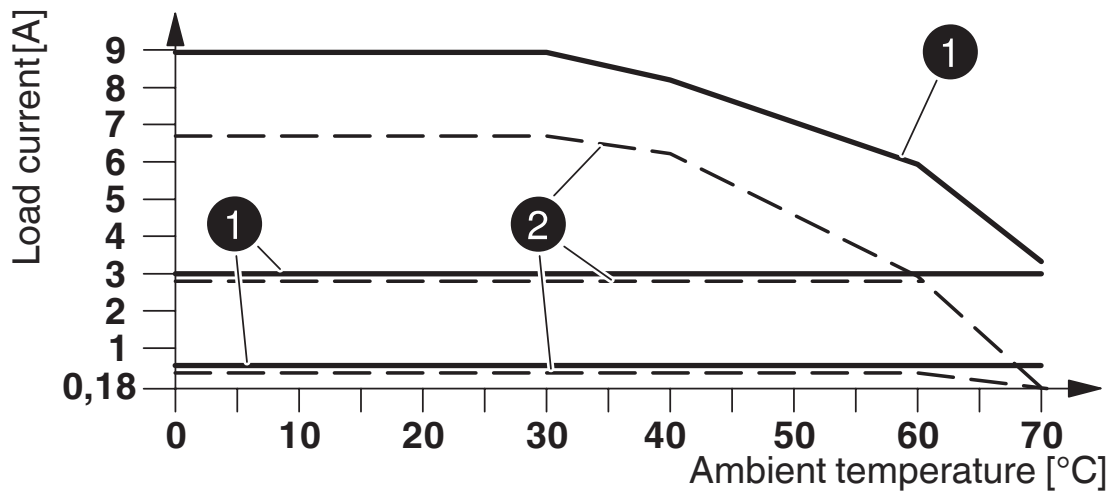
| | |
|-----------------------|--|
| Mounting type | DIN rail mounting |
| Assembly instructions | alignable, for spacing see derating |
| Mounting position | vertical (horizontal DIN rail, motor output below) |

Drawings

Block diagram



Diagram



- ① = aligned with > 20 mm spacing
- ② = aligned without spacing

Derating diagram

2905153

<https://www.phoenixcontact.com/us/products/2905153>

Approvals

To download certificates, visit the product detail page: <https://www.phoenixcontact.com/us/products/2905153>



IECEE CB Scheme

Approval ID: DE1-60807



EAC

Approval ID: RU*C-DE.*08.B.00520*



UL Listed

Approval ID: FILE E 172140



CCC

Approval ID: 2016010304900298



cUL Listed

Approval ID: FILE E 172140



cUL Listed

Approval ID: FILE E 228652



UL Listed

Approval ID: FILE E 228652



ATEX

Approval ID: PTB 15 ATEX 3000

ELR H5-IES-SC/500AC-9-IFS - Hybrid motor starter



2905153

<https://www.phoenixcontact.com/us/products/2905153>

Classifications

ECLASS

| | |
|-------------|----------|
| ECLASS-11.0 | 27370905 |
| ECLASS-13.0 | 27370905 |
| ECLASS-12.0 | 27370905 |

ETIM

| | |
|----------|----------|
| ETIM 8.0 | EC001037 |
|----------|----------|

UNSPSC

| | |
|-------------|----------|
| UNSPSC 21.0 | 25173900 |
|-------------|----------|

ELR H5-IES-SC/500AC-9-IFS - Hybrid motor starter



2905153

<https://www.phoenixcontact.com/us/products/2905153>

Environmental product compliance

| | |
|------------|--|
| REACH SVHC | Lead 7439-92-1 |
| China RoHS | Environmentally Friendly Use Period = 50 years |
| | For information on hazardous substances, refer to the manufacturer's declaration available under "Downloads" |

ELR H5-IES-SC/500AC-9-IFS - Hybrid motor starter



2905153

<https://www.phoenixcontact.com/us/products/2905153>

Accessories

BRIDGE- 2 - Bridge

2900746

<https://www.phoenixcontact.com/us/products/2900746>

3-phase loop bridge for CONTACTRON modules, with screw connection and 22.5 mm housing width, connecting cable: 0.3 m, with ferrules.



BRIDGE- 3 - Bridge

2900747

<https://www.phoenixcontact.com/us/products/2900747>

3-phase loop bridge for 3 CONTACTRON modules, with screw connection and 22.5 mm housing width, connecting cable: 0.3 m, with ferrules.



ELR H5-IES-SC/500AC-9-IFS - Hybrid motor starter



2905153

<https://www.phoenixcontact.com/us/products/2905153>

BRIDGE- 4 - Bridge

2900748

<https://www.phoenixcontact.com/us/products/2900748>

3-phase loop bridge for 4 CONTACTRON modules, with screw connection and 22.5 mm housing width, connecting cable: 0.3 m, with ferrules.



BRIDGE- 5 - Bridge

2900749

<https://www.phoenixcontact.com/us/products/2900749>

3-phase loop bridge for 5 CONTACTRON modules, with screw connection and 22.5 mm housing width, connecting cable: 0.3 m, with ferrules.



ELR H5-IES-SC/500AC-9-IFS - Hybrid motor starter



2905153

<https://www.phoenixcontact.com/us/products/2905153>

BRIDGE- 6 - Bridge

2900750

<https://www.phoenixcontact.com/us/products/2900750>

3-phase loop bridge for 6 CONTACTRON modules, with screw connection and 22.5 mm housing width, connecting cable: 0.3 m, with ferrules.



BRIDGE- 7 - Bridge

2900751

<https://www.phoenixcontact.com/us/products/2900751>

3-phase loop bridge for 7 CONTACTRON modules, with screw connection and 22.5 mm housing width, connecting cable: 0.3 m, with ferrules.



ELR H5-IES-SC/500AC-9-IFS - Hybrid motor starter



2905153

<https://www.phoenixcontact.com/us/products/2905153>

BRIDGE- 8 - Bridge

2900752

<https://www.phoenixcontact.com/us/products/2900752>

3-phase loop bridge for 8 CONTACTRON modules, with screw connection and 22.5 mm housing width, connecting cable: 0.3 m, with ferrules.



BRIDGE- 9 - Bridge

2900753

<https://www.phoenixcontact.com/us/products/2900753>

3-phase loop bridge for 9 CONTACTRON modules, with screw connection and 22.5 mm housing width, connecting cable: 0.3 m, with ferrules.



ELR H5-IES-SC/500AC-9-IFS - Hybrid motor starter



2905153

<https://www.phoenixcontact.com/us/products/2905153>

BRIDGE-10 - Bridge

2900754

<https://www.phoenixcontact.com/us/products/2900754>

3-phase loop bridge for 10 CONTACTRON modules, with screw connection and 22.5 mm housing width, connecting cable: 0.3 m, with ferrules.



BRIDGE- 2-1M - Bridge

2901542

<https://www.phoenixcontact.com/us/products/2901542>

3-phase loop bridge for 2 CONTACTRON modules, with screw connection and 22.5 mm housing width, connecting cable: 1 m



ELR H5-IES-SC/500AC-9-IFS - Hybrid motor starter



2905153

<https://www.phoenixcontact.com/us/products/2905153>

BRIDGE- 3-1M - Bridge

2901655

<https://www.phoenixcontact.com/us/products/2901655>

3-phase loop bridge for 3 CONTACTRON modules, with screw connection and 22.5 mm housing width, connecting cable: 1 m



BRIDGE- 4-1M - Bridge

2901658

<https://www.phoenixcontact.com/us/products/2901658>

3-phase loop bridge for 4 CONTACTRON modules, with screw connection and 22.5 mm housing width, connecting cable: 1 m



ELR H5-IES-SC/500AC-9-IFS - Hybrid motor starter



2905153

<https://www.phoenixcontact.com/us/products/2905153>

BRIDGE- 5-1M - Bridge

2901544

<https://www.phoenixcontact.com/us/products/2901544>

3-phase loop bridge for 5 CONTACTRON modules, with screw connection and 22.5 mm housing width, connecting cable: 1 m



BRIDGE- 6-1M - Bridge

2901649

<https://www.phoenixcontact.com/us/products/2901649>

3-phase loop bridge for 6 CONTACTRON modules, with screw connection and 22.5 mm housing width, connecting cable: 1 m



ELR H5-IES-SC/500AC-9-IFS - Hybrid motor starter



2905153

<https://www.phoenixcontact.com/us/products/2905153>

BRIDGE- 2-3M - Bridge

2901543

<https://www.phoenixcontact.com/us/products/2901543>

3-phase loop bridge for 2 CONTACTRON modules, with screw connection and 22.5 mm housing width, connecting cable: 3 m



BRIDGE- 3-3M - Bridge

2901656

<https://www.phoenixcontact.com/us/products/2901656>

3-phase loop bridge for 3 CONTACTRON modules, with screw connection and 22.5 mm housing width, connecting cable: 3 m



ELR H5-IES-SC/500AC-9-IFS - Hybrid motor starter



2905153

<https://www.phoenixcontact.com/us/products/2905153>

BRIDGE- 4-3M - Bridge

2901659

<https://www.phoenixcontact.com/us/products/2901659>

3-phase loop bridge for 4 CONTACTRON modules, with screw connection and 22.5 mm housing width, connecting cable: 3 m



BRIDGE- 5-3M - Bridge

2901545

<https://www.phoenixcontact.com/us/products/2901545>

3-phase loop bridge for 5 CONTACTRON modules, with screw connection and 22.5 mm housing width, connecting cable: 3 m



ELR H5-IES-SC/500AC-9-IFS - Hybrid motor starter



2905153

<https://www.phoenixcontact.com/us/products/2905153>

BRIDGE- 6-3M - Bridge

2901697

<https://www.phoenixcontact.com/us/products/2901697>

3-phase loop bridge for 6 CONTACTRON modules, with screw connection and 22.5 mm housing width, connecting cable: 3 m



BRIDGE- 7-3M - Bridge

2901698

<https://www.phoenixcontact.com/us/products/2901698>

3-phase loop bridge for 7 CONTACTRON modules, with screw connection and 22.5 mm housing width, connecting cable: 3 m



ELR H5-IES-SC/500AC-9-IFS - Hybrid motor starter



2905153

<https://www.phoenixcontact.com/us/products/2905153>

BRIDGE- 8-3M - Bridge

2901700

<https://www.phoenixcontact.com/us/products/2901700>

3-phase loop bridge for 8 CONTACTRON modules, with screw connection and 22.5 mm housing width, connecting cable: 3 m



BRIDGE- 9-3M - Bridge

2901701

<https://www.phoenixcontact.com/us/products/2901701>

3-phase loop bridge for 9 CONTACTRON modules, with screw connection and 22.5 mm housing width, connecting cable: 3 m



ELR H5-IES-SC/500AC-9-IFS - Hybrid motor starter



2905153

<https://www.phoenixcontact.com/us/products/2905153>

BRIDGE-10-3M - Bridge

2901702

<https://www.phoenixcontact.com/us/products/2901702>

3-phase loop bridge for 10 CONTACTRON modules, with screw connection and 22.5 mm housing width, connecting cable: 3 m



BRIDGE- 2- 2M/0,3M - Bridge

2909897

<https://www.phoenixcontact.com/us/products/2909897>

3-phase loop bridge for 2 CONTACTRON modules, with screw connection and 22.5 mm housing width, cable length between the modules: 0.3 m, connecting cable: 2 m



ELR H5-IES-SC/500AC-9-IFS - Hybrid motor starter



2905153

<https://www.phoenixcontact.com/us/products/2905153>

BRIDGE- 3- 2M/0,3M - Bridge

2909898

<https://www.phoenixcontact.com/us/products/2909898>



3-phase loop bridge for 3 CONTACTRON modules, with screw connection and 22.5 mm housing width, cable length between the modules: 0.3 m, connecting cable: 2 m

BRIDGE- 4- 2M/0,3M - Bridge

2909899

<https://www.phoenixcontact.com/us/products/2909899>



3-phase loop bridge for 4 CONTACTRON modules, with screw connection and 22.5 mm housing width, cable length between the modules: 0.3 m, connecting cable: 2 m

ELR H5-IES-SC/500AC-9-IFS - Hybrid motor starter



2905153

<https://www.phoenixcontact.com/us/products/2905153>

US-EMLP (15X5) - Plastic label

0828790

<https://www.phoenixcontact.com/us/products/0828790>



Plastic label, Card, white, unlabeled, can be labeled with: BLUEMARK ID COLOR, BLUEMARK ID, THERMOMARK PRIME, THERMOMARK CARD 2.0, THERMOMARK CARD, mounting type: adhesive, lettering field size: 15 x 5 mm, Number of individual labels: 189

UC-EMLP (15X5) - Plastic label

0819301

<https://www.phoenixcontact.com/us/products/0819301>



Plastic label, Sheet, white, unlabeled, can be labeled with: BLUEMARK ID COLOR, BLUEMARK ID, BLUEMARK CLED, PLOTMARK, CMS-P1-PLOTTER, mounting type: adhesive, lettering field size: 15 x 5 mm, Number of individual labels: 10

ELR H5-IES-SC/500AC-9-IFS - Hybrid motor starter



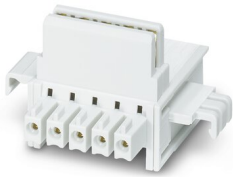
2905153

<https://www.phoenixcontact.com/us/products/2905153>

ME 22,5 TBUS 1,5/ 5-ST-3,81 GY - DIN rail bus connectors

2201937

<https://www.phoenixcontact.com/us/products/2201937>



DIN rail connector, color: gray, nominal current: 8 A (parallel contacts), rated voltage (III/2): 125 V, number of positions: 5, pitch: 3.81 mm, mounting: DIN rail mounting, locking: without, mounting: without, type of packaging: packed in cardboard, Item with gold-plated contacts, bus connectors for connecting with electronics housings, 5 parallel contacts

EM-PB-GATEWAY-IFS - Data interface

2297620

<https://www.phoenixcontact.com/us/products/2297620>



Gateway for the connection of up to 32 INTERFACE system devices to a higher-level controller via PROFIBUS DP. The INTERFACE system devices are connected to the Gateway via DIN rail connectors, the DIN rail connectors are provided.

ELR H5-IES-SC/500AC-9-IFS - Hybrid motor starter



2905153

<https://www.phoenixcontact.com/us/products/2905153>

EM-CAN-GATEWAY-IFS - Data interface

2901504

<https://www.phoenixcontact.com/us/products/2901504>



Gateway for the connection of up to 32 INTERFACE system devices to a higher-level controller via CANopen[®]. The INTERFACE system devices are connected to the Gateway via DIN rail connectors, the DIN rail connectors are provided.

EM-MODBUS-GATEWAY-IFS - Data interface

2901528

<https://www.phoenixcontact.com/us/products/2901528>



Gateway for the connection of up to 32 INTERFACE system devices via Modbus/TCP to a higher-level controller. The INTERFACE system devices are connected to the Gateway via DIN rail connectors, the DIN rail connectors are provided.

ELR H5-IES-SC/500AC-9-IFS - Hybrid motor starter



2905153

<https://www.phoenixcontact.com/us/products/2905153>

EM-PNET-GATEWAY-IFS - Data interface

2904472

<https://www.phoenixcontact.com/us/products/2904472>



Gateway for the connection of up to 32 INTERFACE system devices via PROFINET to a higher-level controller. The INTERFACE system devices are connected to the Gateway via DIN rail connectors, the DIN rail connectors are provided.

EM-ETH-GATEWAY-IFS - Data interface

2901988

<https://www.phoenixcontact.com/us/products/2901988>



Gateway for the connection of up to 32 INTERFACE system devices to a higher-level controller via EtherNet/IP™. The INTERFACE system devices are connected to the Gateway via DIN rail connectors, the DIN rail connectors are provided.

ELR H5-IES-SC/500AC-9-IFS - Hybrid motor starter



2905153

<https://www.phoenixcontact.com/us/products/2905153>

EM-D-8/4-24DC-IFS - Extension module

2904473

<https://www.phoenixcontact.com/us/products/2904473>



For more complex applications with Interface system devices (IFS), the extension module offers digital inputs and outputs for processing additional signals in the field. Easy connection to IFS gateway via the DIN rail connector as the slave.

QUINT4-SYS-PS/1AC/24DC/2.5/SC - Power supply unit

2904614

<https://www.phoenixcontact.com/us/products/2904614>



Primary-switched power supply, QUINT POWER, screw connection, DIN rail mounting, supply of devices possible via the TBUS DIN rail connector, protective coating, input: single-phase, output: 24 V DC/2.5 A

ELR H5-IES-SC/500AC-9-IFS - Hybrid motor starter



2905153

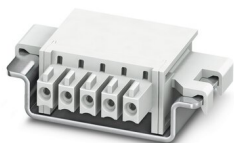
<https://www.phoenixcontact.com/us/products/2905153>

ME 22,5 TBUS ADAPTER KMGY - DIN rail bus connectors

2201756

<https://www.phoenixcontact.com/us/products/2201756>

DIN rail bus adapter for ME and ME-MAX, design width: 22.5 mm, 5 parallel positions, color: light gray (similar to RAL 7035)



Phoenix Contact 2023 © - all rights reserved

<https://www.phoenixcontact.com>

Phoenix Contact USA
586 Fulling Mill Road
Middletown, PA 17057, United States
(+717) 944-1300
info@phoenixcon.com