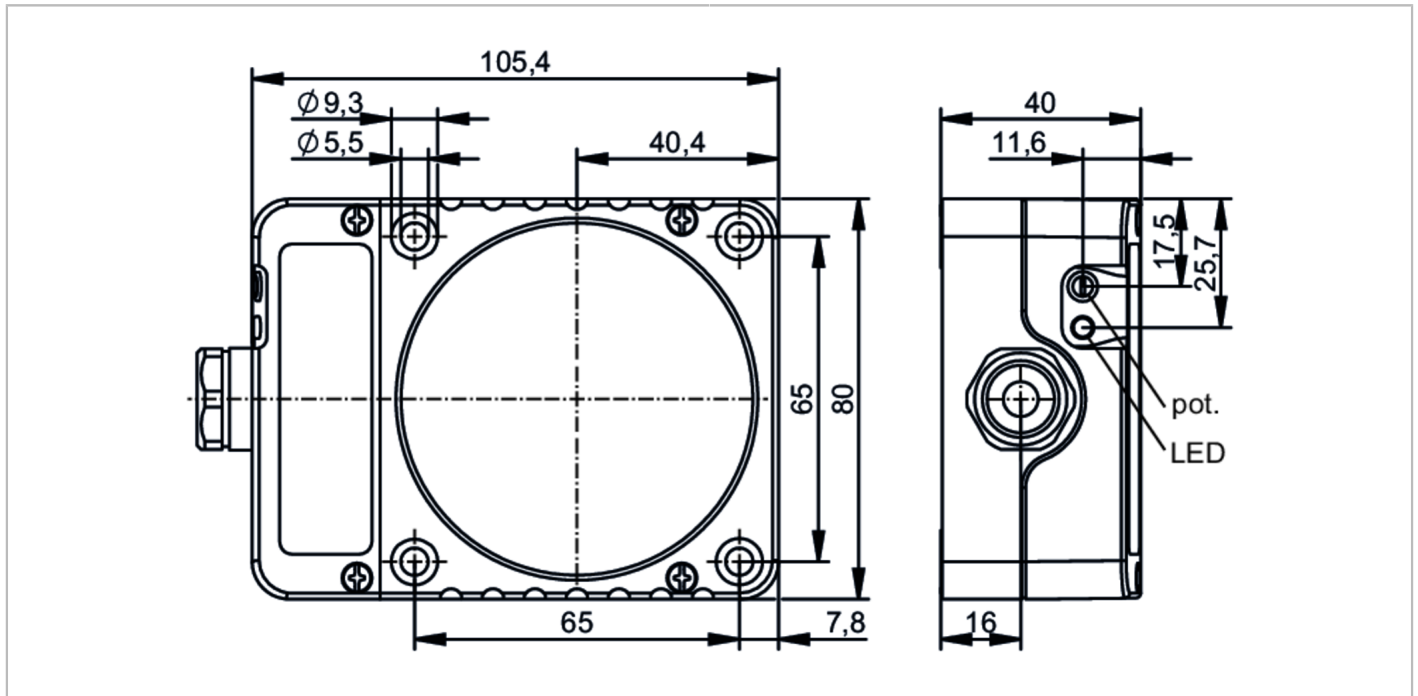


KD5018



Capacitive sensor

KDE3060-FPKG/NI



Product characteristics

Electrical design		PNP
Output function		normally open / normally closed; (selectable)
Sensing range	[mm]	60
Housing		rectangular
Dimensions	[mm]	105 x 80 x 40

Electrical data

Operating voltage	[V]	10...36 DC
Current consumption	[mA]	15; (24 V)
Protection class		II
Reverse polarity protection		yes

Outputs

Electrical design		PNP
Output function		normally open / normally closed; (selectable)
Max. voltage drop switching output DC	[V]	2.5
Permanent current rating of switching output DC	[mA]	250
Switching frequency DC	[Hz]	10
Short-circuit proof		yes
Overload protection		yes

Detection zone

Sensing range	[mm]	60
Real sensing range Sr	[mm]	60 ± 10 %
Operating distance	[mm]	0...48.6

KD5018



Capacitive sensor

KDE3060-FPKG/NI

Accuracy / deviations

Correction factor		glass: 0.4 / water: 1 / ceramics: 0.2 / PVC: 0.2
Hysteresis	[% of Sr]	1...15
Switch point drift	[% of Sr]	-15...15

Operating conditions

Ambient temperature	[°C]	-25...80
Protection		IP 65
Increased immunity		yes

Tests / approvals

EMC		EN 60947-5-2
MTTF	[years]	537

Mechanical data

Weight	[g]	297.5
Housing		rectangular
Mounting		non-flush mountable
Dimensions	[mm]	105 x 80 x 40
Materials		PPE modified

Displays / operating elements

Display	switching status	1 x LED, yellow
---------	------------------	-----------------

Accessories

Items supplied		spring washers: 4 cylinder screws: 4
----------------	--	---

Remarks

Pack quantity		1 pcs.
---------------	--	--------

Electrical connection

terminals: ...2.5 mm²; Cable sheath: Ø 7...13 mm; Cable gland: M20 X 1.5

Connection

