

2000 BTUH | INDOOR/OUTDOOR, UL TYPES 12, 4 & 4X AVAILABLE

Engineered & manufactured to endure the most difficult of environments and applications. Thermal Edge air conditioners will exceed environmental requirements in applications like Steel, Food Processing, Petro-Chemical, Cement, Paper & Pulp and Plastics.



OPTIONS:

- Low/High Ambient
- Remote Controller
- Corrosion Protection
- Dry Contact
- Redundant System
- Filter/Filter Frame
- Controller Programming
- Heater
- Hazardous Location
- Open Door Kill Switch
- Custom Finish
- Extended Temperature Probe
- Remote Control/Monitor
- Diagnostics

Digital Temperature Controller

- Programmable set point and temperature controls
- Visible Error and/or alarm messaging
- System status indication & keypad lockout function

Active Condensate Evaporation System

- Constant elimination of condensate
- Increases unit efficiency by pre-cooling refrigerant

Key Design Features

- Sloped top to allow for water runoff
- Designed with rigid chassis and seam welded shroud
- Thoughtful interior design for easy maintenance
- Narrow body style fits on 10" deep enclosure

Unit Efficiency

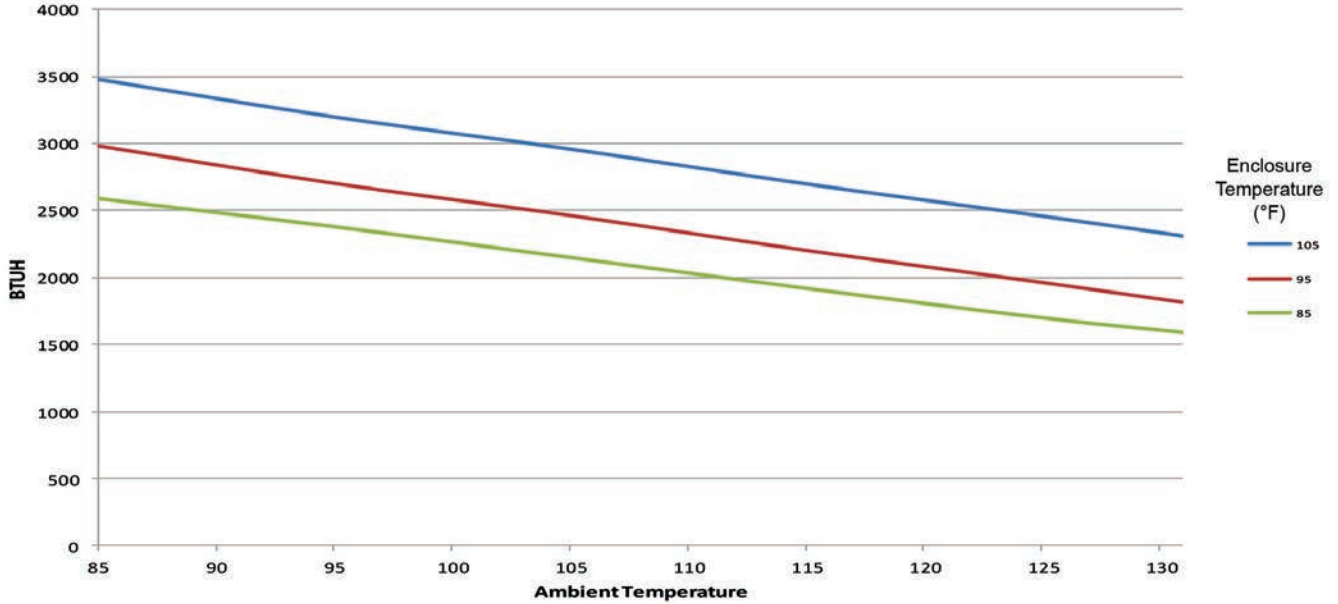
- Highly efficient rotary compressor
- Fully insulated & sealed cabinet
- Thermal Expansion Valve to maintain cooling capacity over a broad ambient temperature range

Compressor Protection System

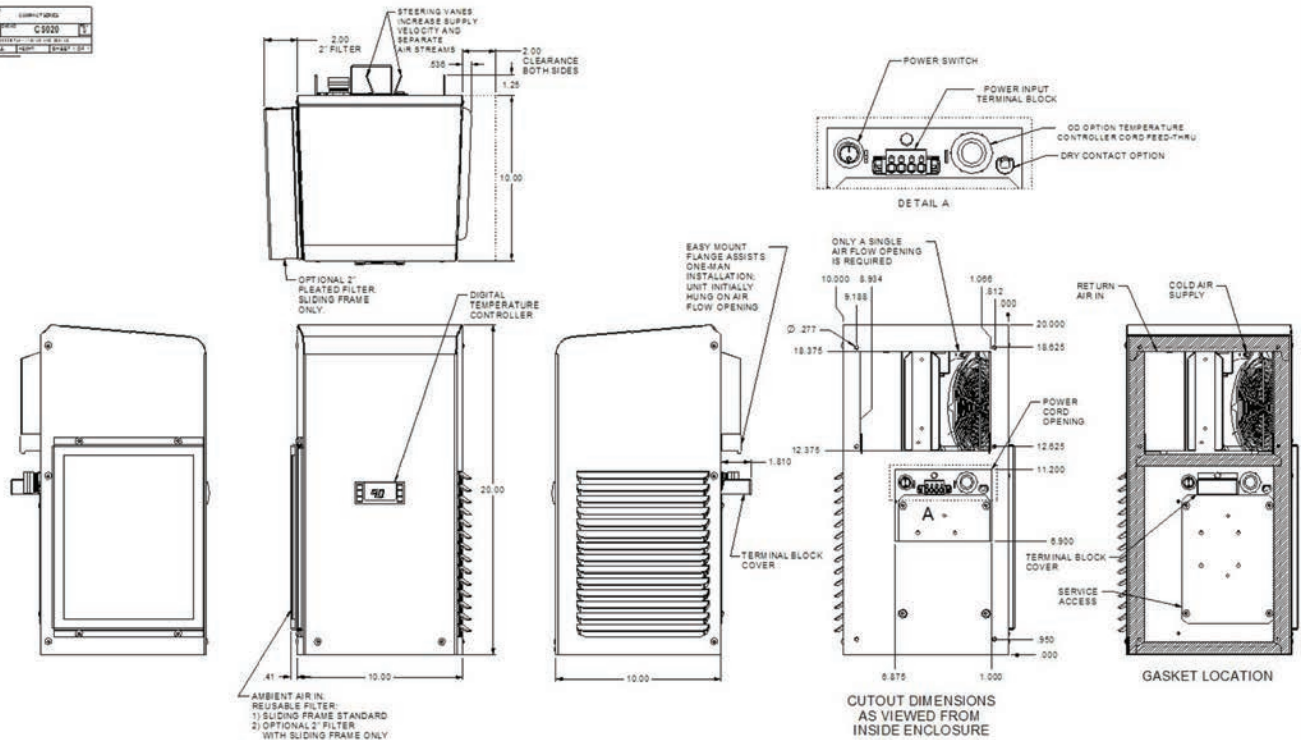
- High & Low refrigerant cutouts with fault indication
- Compressor anti short cycle protection
- Thermal overload protector
- Compressor run capacitors reduce power inrush, save energy and increase compressor life

Model	UL Type	BTU/Hour	Material	Voltage/Phase/Hz.	Running Amps	Max. Amb. Temp.	H x W x D	Unit Weight (lbs.)
CS02012612	12	2000	Powder coated steel	115/1/60	4.1	131°F	20" x 10" x 10"	44
CS02012604	4	2000	Powder coated steel	115/1/60	4.1	131°F	20" x 10" x 10"	44
CS0201264X	4X	2000	Stainless steel	115/1/60	4.1	131°F	20" x 10" x 10"	44
CS0201264XL4	4X	2000	Mill finish aluminum	115/1/60	4.1	131°F	20" x 10" x 10"	34
CS02023612	12	2000	Powder coated steel	230/1/60	2.0	131°F	20" x 10" x 10"	49
CS02023604	4	2000	Powder coated steel	230/1/60	2.0	131°F	20" x 10" x 10"	49
CS0202364X	4X	2000	Stainless steel	230/1/60	2.0	131°F	20" x 10" x 10"	49
CS0202364XL4	4X	2000	Mill finish aluminum	230/1/60	2.0	131°F	20" x 10" x 10"	39

Testing done under controlled conditions. Actual performance may vary.



REVISIONS	
1	REVISED TO ADD 2" FILTER
2	REVISED TO ADD 2" FILTER
3	REVISED TO ADD 2" FILTER
4	REVISED TO ADD 2" FILTER
5	REVISED TO ADD 2" FILTER



ATTENTION: If ordering a replacement for a Thermal Edge air conditioner, please include the part number and serial number of the unit being replaced in your order. This will ensure that we ship a replacement that is compatible with the cutout dimensions and power connection features of the older model. All information subject to change without notice.

