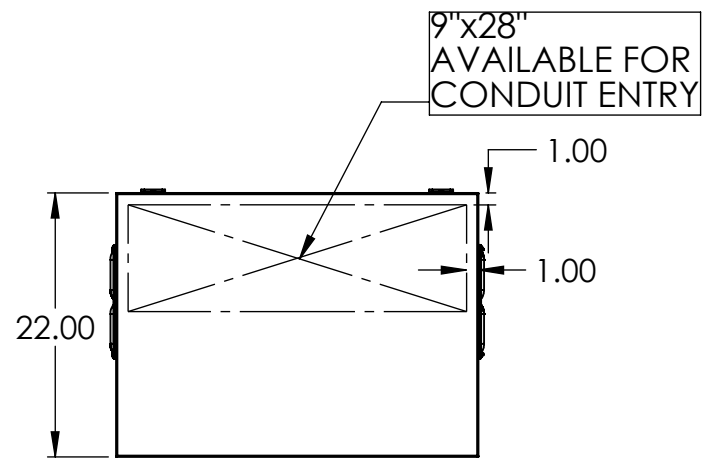


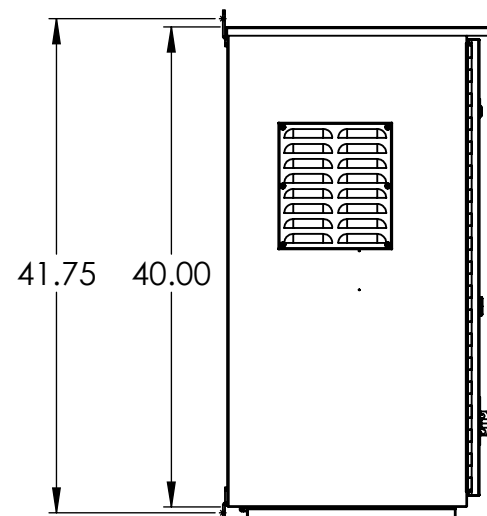
RECEPTACLE COLOR SCHEME						
PHASE	A	B	C	N	G	CHECK VOLTAGE
120/240	BLK	RED	N/A	WHT	GRN	-
208Y/120V	BLK	RED	BLU	WHT	GRN	-
240V	BLK	RED	BLU	N/A	GRN	-
480Y/277V	BRN	ORG	YEL	WHT	GRN	-
480V	BRN	ORG	YEL	N/A	GRN	-
600Y/347V	BLK	BLK	BLK	WHT	GRN	-
600V	BLK	BLK	BLK	N/A	GRN	-

SPECIFICATIONS:
 RATED CURRENT: 800A
 STANDARD: ETL LISTED TO UL1008 STANDARD
 ENCLOSURE RATING: TYPE 3R
 EST. SHIPPING WEIGHT: 250LBS

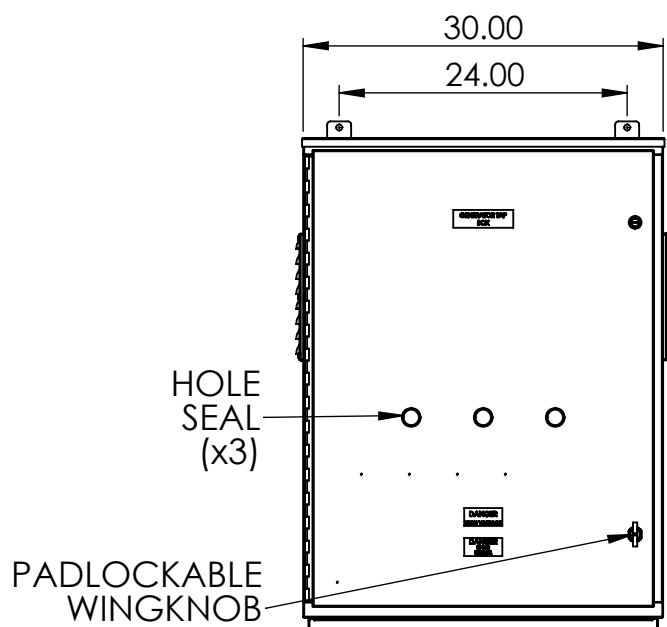


TOP VIEW

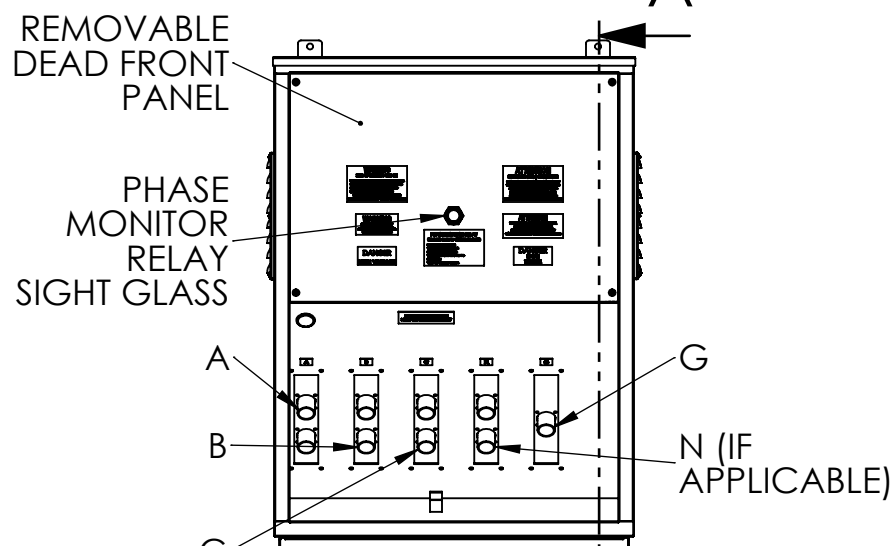
CODE	STANDARD ACCESSORIES	
RM	PHASE ROTATION MONITOR	
SK	GENERATOR 3-WIRE AUTO START TERMINALS	
OPTIONAL ADDERS (NOT INCLUDED UNLESS CHECKED)		CHECK OPTIONS
CODE	DESCRIPTION	
GF	20A GFCI DUPLEX RECEPTACLE	-
K2	KIRK KEY (1) INSTALLED; SHIP (1) LOOSE MATCHING KIRK KEY	-
PM	TRUMETER APM POWER METER	-
R3	30A RECEPTACLE	-
R5	50A RECEPTACLE	-
PL	PILOT LIGHT KIT	-
WH	150W ENCLOSURE HEATER W/THERMOSTAT (WALL MOUNT)	-
3X	STAINLESS STEEL ENCLOSURE	-



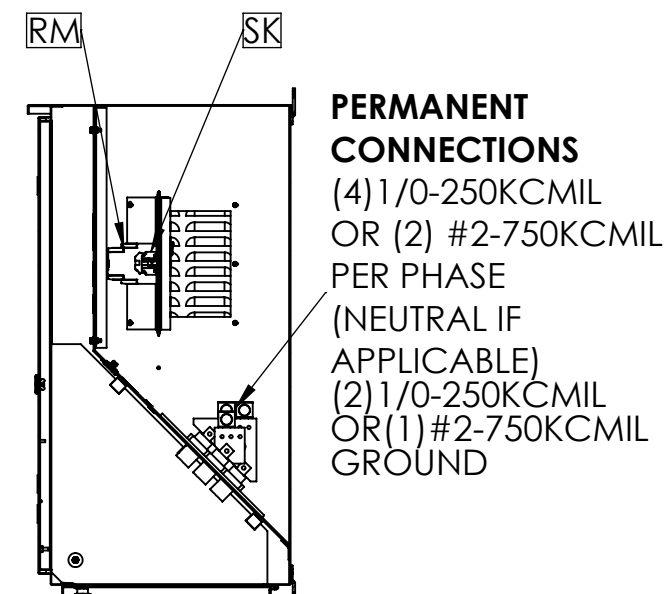
**SIDE VIEW
(LEFT)**



FRONT VIEW

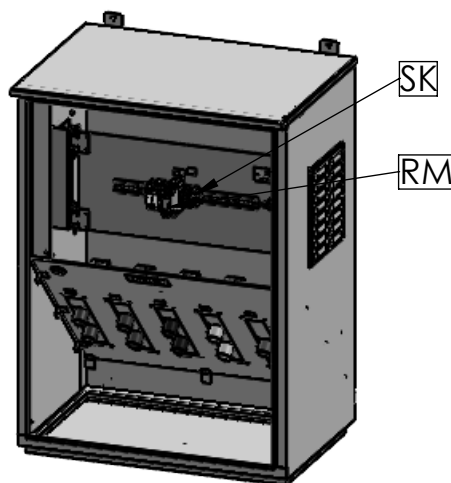


**FRONT VIEW
(DOOR NOT SHOWN)**

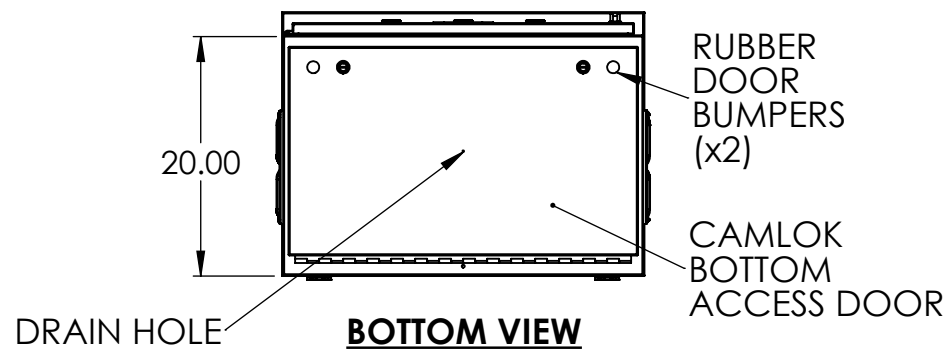


SECTION A-A VIEW

PERMANENT CONNECTIONS
 (4) 1/0-250KCMIL
 OR (2) #2-750KCMIL
 PER PHASE
 (NEUTRAL IF APPLICABLE)
 (2) 1/0-250KCMIL
 OR (1) #2-750KCMIL
 GROUND



**DIMETRIC VIEW
(DOORS AND DEAD FRONT REMOVED)
SCALE 1:20**



BOTTOM VIEW

REV.	DESCRIPTION	DATE	REVISED BY
B	UPDATED TITLE BLOCK AND OPTIONS	2/19/2024	MWS

 <small>UNITS & TOLERANCES ARE INCHES UNLESS OTHERWISE SPECIFIED</small> <small>DIMENSIONS APPLY BEFORE SURFACE TREATMENT</small>	DESCRIPTION	GTB 800A TYPE 3R WALL MOUNT	REV. B	SCALE 1:16
	DRAWN: MWS	CHECKED: RJV	DRAWING NUMBER	
	MATERIAL: SEE BOM		DRAWING TYPE	
	FINISH: RAL 7035 LIGHT GREY		APPROVAL	
SCHEMATIC: ES110900GTB4		SHEET 1 OF 2		
CUSTOMER APPROVAL:				