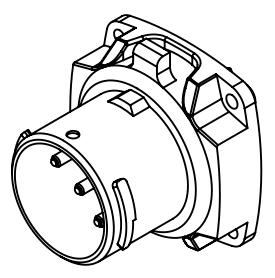
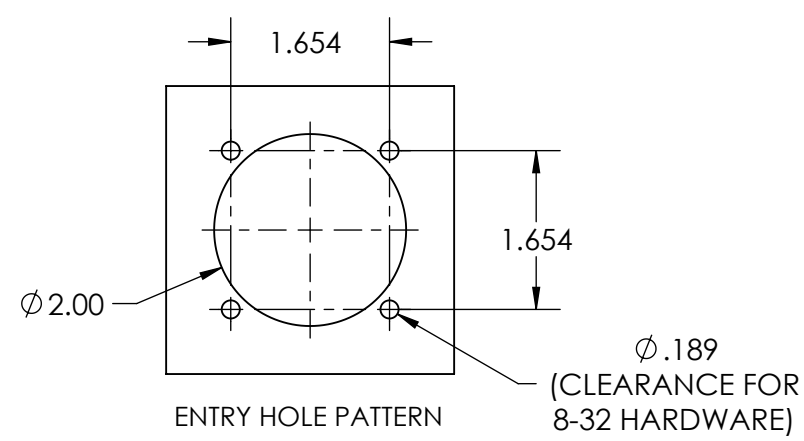
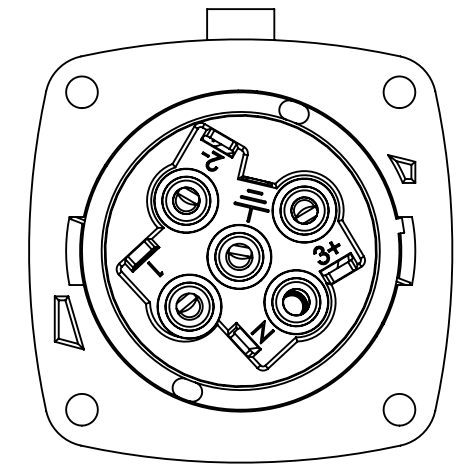
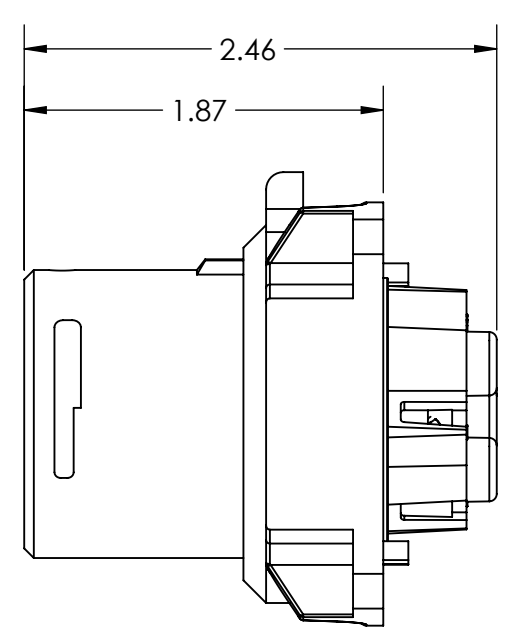
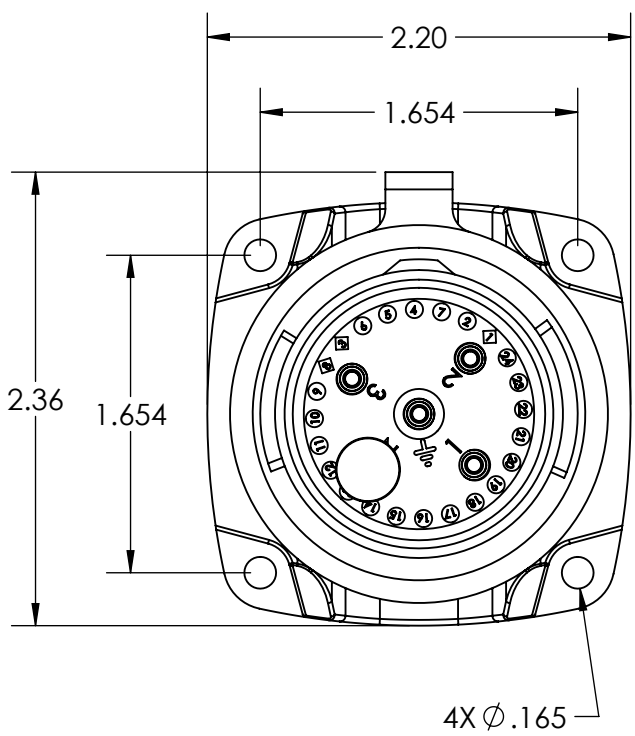


This drawing is the property of MELTRIC Corporation, Franklin (Milwaukee), Wisconsin, USA. Any unauthorized copying of this drawing by any means, ENG/RD/06 REV: 20 ISSUED DATE: 11/15/11 or disclosure of its contents to any person not authorized by MELTRIC Corporation or its agents to receive it, is strictly prohibited.



TOLERANCES UNLESS OTHERWISE SPECIFIED				DRAWING TITLE:	
MACHINED SURFACES $\sqrt{125 \text{ MAX}}$	ENGLISH 0.X ±0.05 0.XX ±0.01 0.XXX ±0.005			APPROVED	DXN20 INLET
GROUND SURFACES $\sqrt{32 \text{ MAX}}$		DATE:	SCALE	MATERIAL:	
ANGLE TOLERANCE ±1°		SHEET:	NTS	BLACK POLY CASING	
REMOVE BURRS & SHARP EDGES TO .015 MAX.	1 OF 1	PART NUMBER		REVISION	
DIMENSIONS SHOWN IN OVALS ARE INSPECTION DIMENSIONS.		22-18xxx			