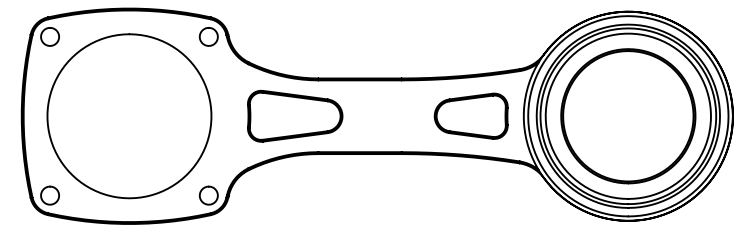
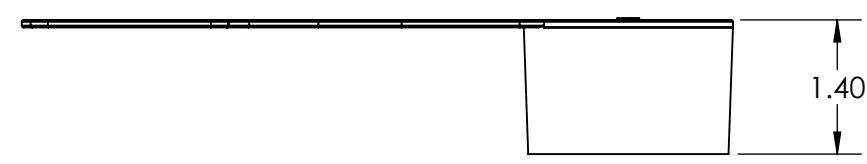
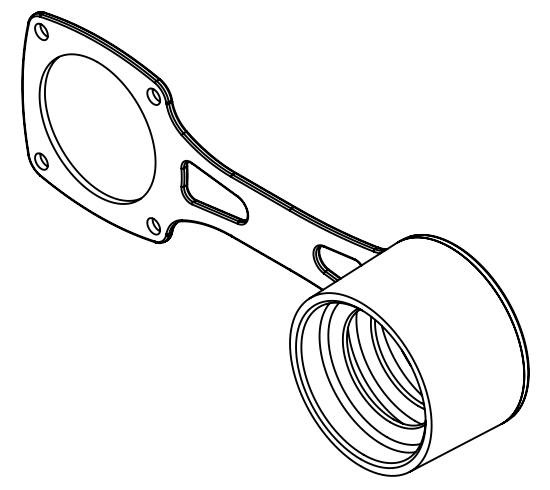
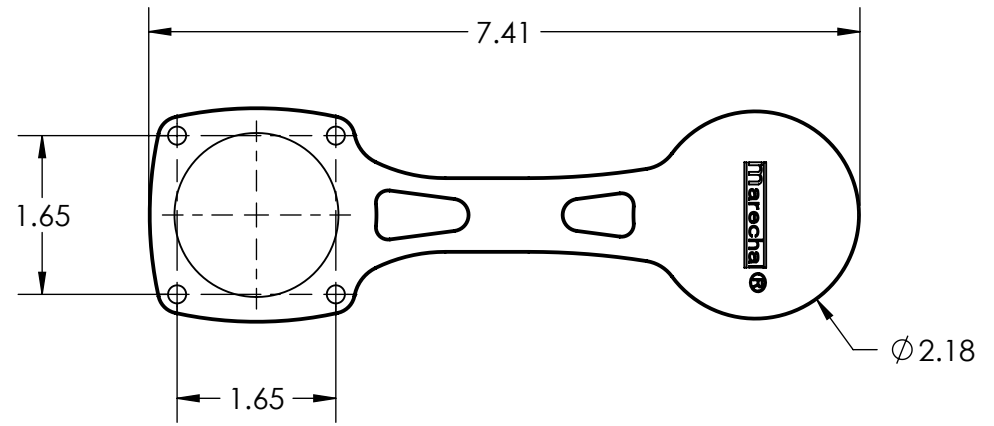


This drawing is the property of MELTRIC Corporation, Franklin (Milwaukee) Wisconsin, USA. Any unauthorized copying of this drawing by any means, ENG/RD/06 REV: 20 ISSUED DATE: 1/15/11 or disclosure of its contents to any person not authorized by MELTRIC Corporation or its agents to receive it, is strictly prohibited.



TOLERANCES UNLESS OTHERWISE SPECIFIED				DRAWING TITLE:	
MACHINED SURFACES $\sqrt[125]{\text{MAX}}$	ENGLISH 0.X ±0.05 0.XX ±0.01 0.XXX ±0.005			PROTECTIVE CAP FOR MALE INLET	
GROUND SURFACES $\sqrt[32]{\text{MAX}}$		DATE:	SCALE	BLACK RUBBER	
ANGLE TOLERANCE ±1° REMOVE BURRS & SHARP EDGES TO .015 MAX.		SHEET:	1 OF 1	PART NUMBER	REVISION
DIMENSIONS SHOWN IN OVALS ARE INSPECTION DIMENSIONS.			61-1A426		