

## Bus system connector - SACC-M12MRD-4Q SH - 1553624

Please be informed that the data shown in this PDF Document is generated from our Online Catalog. Please find the complete data in the user's documentation. Our General Terms of Use for Downloads are valid (<http://phoenixcontact.com/download>)

Bus system connector, Ethernet CAT5 (100 Mbps), 4-position, shielded, Plug angled M12, D-coded, Insulation displacement connection, Knurl material: Nickel-plated brass, External cable diameter 4 mm ... 8 mm



### Product Features

- Safe use in the field, thanks to a high degree of protection
- Flexible: connectors for on-site assembly
- Insulation displacement connection: innovative and time-saving assembly without stripping the single wire
- Reliable signal transmission - 360° shielding in environments with electromagnetic interference



### Key Commercial Data

|                                      |         |
|--------------------------------------|---------|
| Packing unit                         | 1 pc    |
| Weight per Piece (excluding packing) | 47.9 g  |
| Country of origin                    | Germany |

### Technical data

#### Dimensions

|                                |               |
|--------------------------------|---------------|
| External diameter              | 4 mm ... 8 mm |
| Stripping length of the sheath | 35 mm         |

#### Ambient conditions

|                                 |                  |
|---------------------------------|------------------|
| Ambient temperature (operation) | -40 °C ... 85 °C |
| Degree of protection            | IP67             |

#### General

|                       |          |
|-----------------------|----------|
| Rated current at 40°C | 1.75 A   |
| Rated voltage         | 60 V DC  |
|                       | 48 V AC  |
| Number of positions   | 4        |
| Insulation resistance | ≥ 100 MΩ |

# Bus system connector - SACC-M12MRD-4Q SH - 1553624

## Technical data

### General

|                                                                       |                                                                     |
|-----------------------------------------------------------------------|---------------------------------------------------------------------|
| Coding                                                                | D - data                                                            |
| Standards/regulations                                                 | M12 connector IEC 61076-2-101                                       |
| Signal type/category                                                  | Ethernet CAT5 (IEC 11801), 100 Mbps                                 |
| Status display                                                        | No                                                                  |
| Overvoltage category                                                  | II                                                                  |
| Degree of pollution                                                   | 3                                                                   |
| Connection method                                                     | Insulation displacement connection                                  |
| Conductor cross section                                               | 0.14 mm <sup>2</sup> ... 0.34 mm <sup>2</sup>                       |
| Conductor cross section AWG                                           | 26 ... 22                                                           |
| Wire diameter incl. insulation                                        | ≤ 1.6 mm                                                            |
| Frequency of connections between conductors of the same cross section | ≤ 10                                                                |
| Insertion/withdrawal cycles                                           | ≥ 100                                                               |
| Torque                                                                | 0.4 Nm (M12 knurl)                                                  |
|                                                                       | 0.8 Nm (Connector with coupling sleeve)                             |
|                                                                       | 3 Nm (Pressure nut with coupling sleeve)                            |
| Assembly instructions                                                 | The connector pin assignment can be rotated 45° to the cable outlet |

### Material

|                                        |                              |
|----------------------------------------|------------------------------|
| Flammability rating according to UL 94 | V0                           |
| Contact material                       | CuSn                         |
| Contact surface material               | Ni/Au                        |
| Contact carrier material               | PA 66                        |
| Material of grip body                  | Zinc die-cast, nickel-plated |
| Material, knurls                       | Nickel-plated brass          |
| Sealing material                       | Neoprene                     |

### Standards and Regulations

|                                        |                 |
|----------------------------------------|-----------------|
| Standard designation                   | M12 connector   |
| Standards/regulations                  | IEC 61076-2-101 |
| Flammability rating according to UL 94 | V0              |

## Classifications

### eCl@ss

|            |          |
|------------|----------|
| eCl@ss 4.0 | 27250313 |
| eCl@ss 4.1 | 27250313 |
| eCl@ss 5.0 | 27143423 |
| eCl@ss 5.1 | 27143423 |

# Bus system connector - SACC-M12MRD-4Q SH - 1553624

## Classifications

### eCl@ss

|            |          |
|------------|----------|
| eCl@ss 6.0 | 27143423 |
| eCl@ss 7.0 | 27449001 |
| eCl@ss 8.0 | 27440104 |
| eCl@ss 9.0 | 27440102 |

### ETIM

|          |          |
|----------|----------|
| ETIM 3.0 | EC002062 |
| ETIM 4.0 | EC002062 |
| ETIM 5.0 | EC002062 |

### UNSPSC

|               |          |
|---------------|----------|
| UNSPSC 6.01   | 31251501 |
| UNSPSC 7.0901 | 31251501 |
| UNSPSC 11     | 31251501 |
| UNSPSC 12.01  | 31251501 |
| UNSPSC 13.2   | 31251501 |

## Approvals

### Approvals

---

Approvals

EAC / EAC

---

Ex Approvals

---

Approvals submitted

---

### Approval details

|     |
|-----|
| EAC |
|-----|

|     |
|-----|
| EAC |
|-----|

## Bus system connector - SACC-M12MRD-4Q SH - 1553624

### Accessories

#### Accessories

#### Data cable by the meter

Network cable - VS-OE-OE-93E/... - 1417320



Network cable, Ethernet CAT5 (100 Mbps), 4-position, PUR halogen-free, water blue RAL 5021, shielded, free cable end, on free cable end, Cable length: Free input (0.5 ... 100.0 m)

---

### Electronics pliers

Diagonal cutter - MICROFOX-SB - 1212489



Electronic diagonal cutter, round head, without chamfer, with opening spring, mirror-polished and oiled, 2-component grip, cutting capacity: soft 0.2 - 2.0 mm; medium hard 1.2 mm; hard 0.5 mm diameter

---

### Protective cap

Sealing cap - PROT-M12 FS-PA-CHAIN - 1430873

M12 sealing cap made of plastic with fixing band, for sensor cables, for free M12 sockets



---

### Screwdriver tools

Tool - SACC BIT M12-D20 - 1208445



Nut for assembling M12 connectors for assembly with a knurl diameter of 20 mm, for 4 mm hexagonal drive

## Bus system connector - SACC-M12MRD-4Q SH - 1553624

### Accessories

Adapter insert - TSD-M SAC-BIT ADAPTER - 1212600



Adapter bit for TSD-M...torque tools, E6.3-1/4" drive with 4 mm hexagon to accommodate SAC bits

---

### Shield connection

Shielding foil - ALU-SB - 1404531

Shielding foil, for fixing the braided shield of shielded cables. Length: 4 cm, width: 1.2 cm



---

### Stripping tool

Stripping tool - WIREFOX-D 40 - 1212161



Stripping tool, for stripping cables of 4.5 mm - 40 mm-Ø, insulation thickness of up to 4.5 mm, pivoting blade for round, lengthwise, and spiral cuts

---

### Torque tool

Torque screwdriver - TSD 04 SAC - 1208429



Torque screwdriver, with preset torque of 0.4 Nm and 4 mm hexagonal drive for M12 connectors

# Bus system connector - SACC-M12MRD-4Q SH - 1553624

## Accessories

Torque screwdriver - TSD-M 1,2NM - 1212224



Torque screw driver, accuracy as per EN ISO 6789 standard, adjustable from 0.3 - 1.2 Nm

Torque screwdriver - TSD 08 SAC - 1212597



Torque screw driver with preset torque of 0.8 Nm, with 4 mm hexagon for accommodating SAC bits, two-component handle with non-slip grip

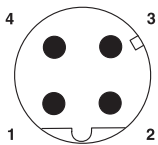
Stripping tool - VS-CABLE-STRIP-VARIO - 1657407



Stripping tool, for the multi-level stripping of shielded cables

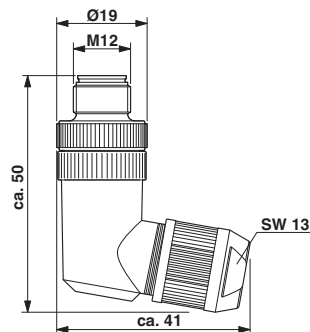
## Drawings

Schematic diagram



Pin assignment M12 socket, 4-pos., D-coded, female side

Dimensional drawing



M12 x 1 male plug, angled

