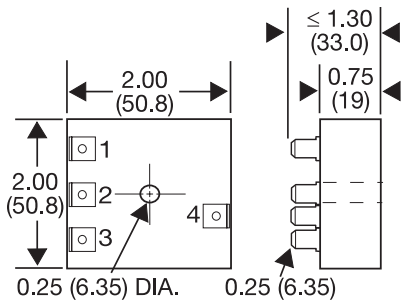




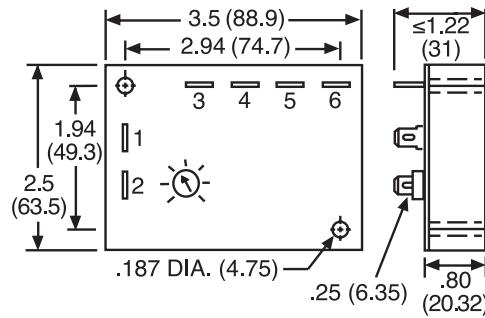
# Appendix B - Dimensional Drawings

FIGURE 13



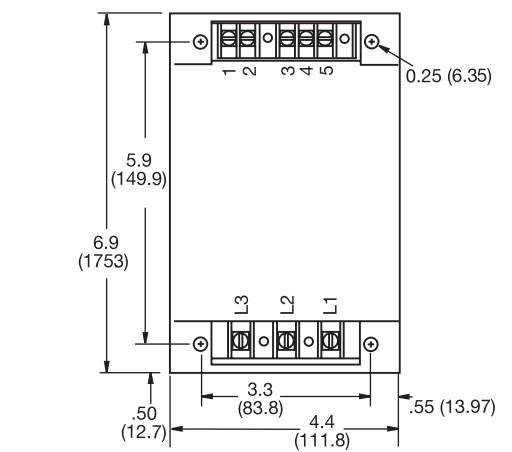
AF

FIGURE 14



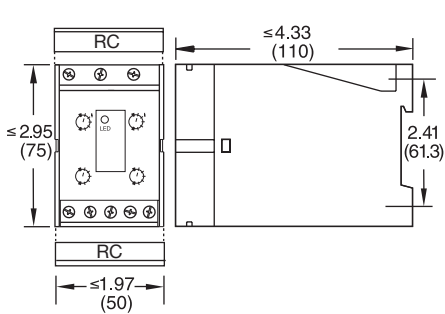
SC3; SC4; SQ

FIGURE 15



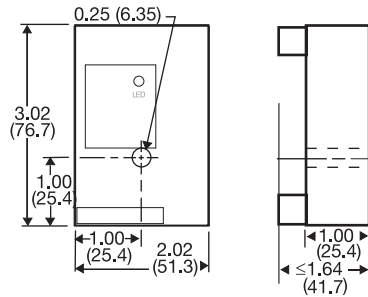
WVM

FIGURE 16



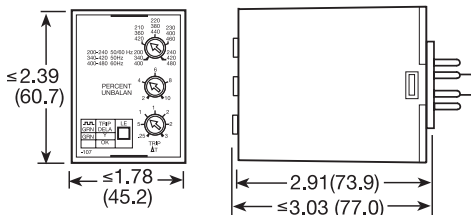
DLMU

FIGURE 17



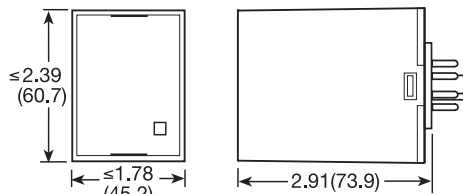
FB9L; HLMU; SCR9L

FIGURE 18



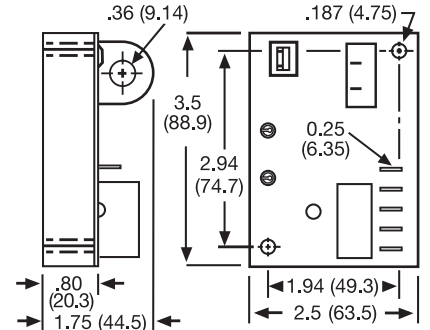
PLMU

FIGURE 19



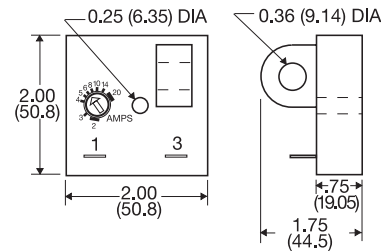
LLC4; LLC6; PLS

FIGURE 20



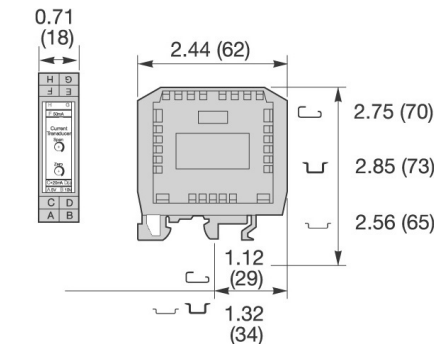
ECS; ECSW (ECS has spade connectors and ECSW has terminal board)

FIGURE 21



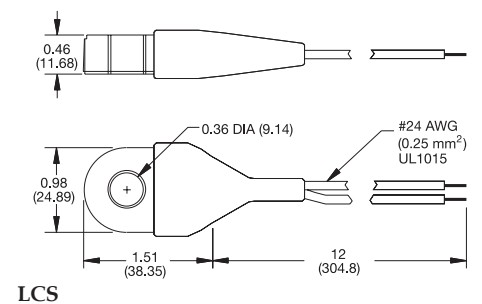
TCS; TCSA

FIGURE 22



DCSA

FIGURE 23

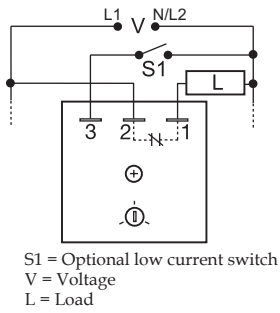


LCS

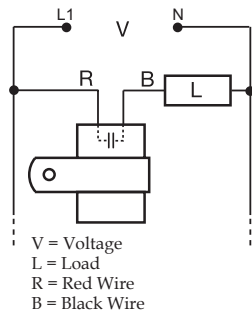
inches (millimeters)

# Appendix C - Connection Diagrams

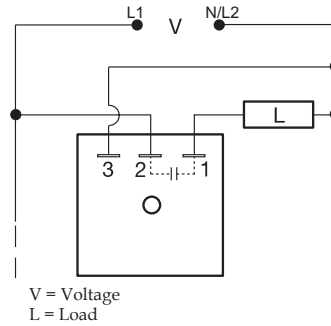
**FIGURE 1 - FSU1000 Series**



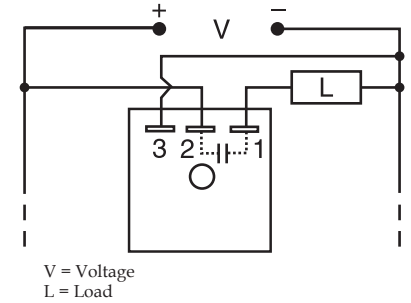
**FIGURE 2 - FS100 Series**



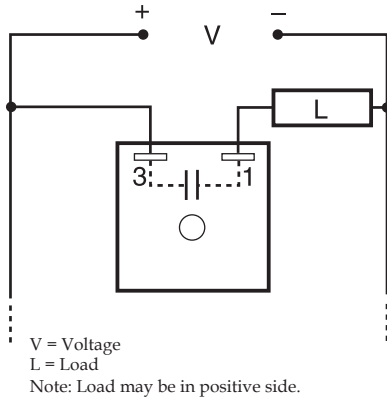
**FIGURE 3 - FS100 Series**



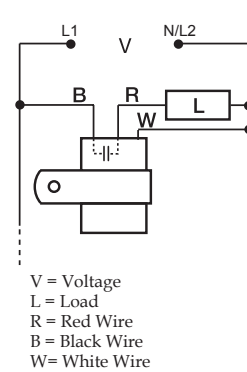
**FIGURE 4 - FS200 Series**



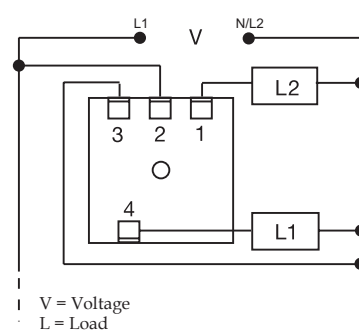
**FIGURE 5 - FS300 Series**



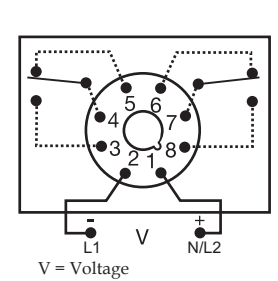
**FIGURE 6 - FS400 Series**



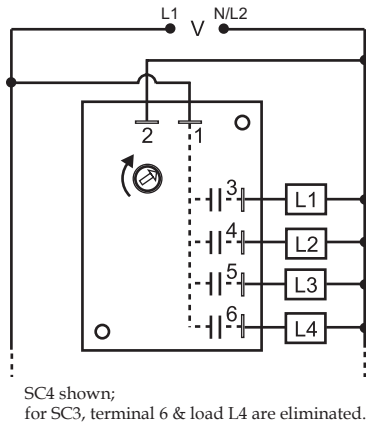
**FIGURE 7 - AF Series**



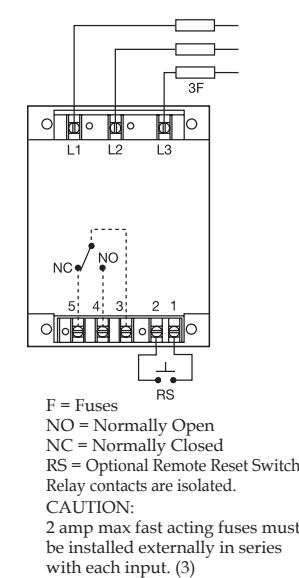
**FIGURE 8 - FS500 Series**



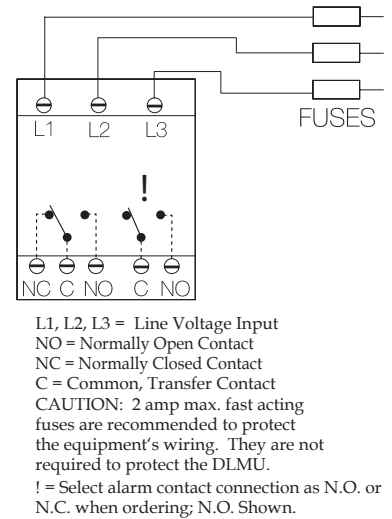
**FIGURE 9 - SC3/SC4 Series**



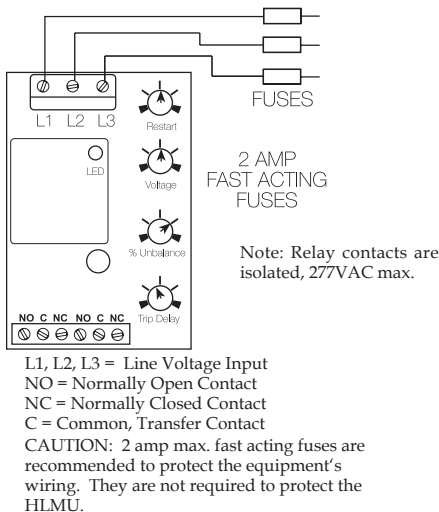
**FIGURE 10 - WVM Series**



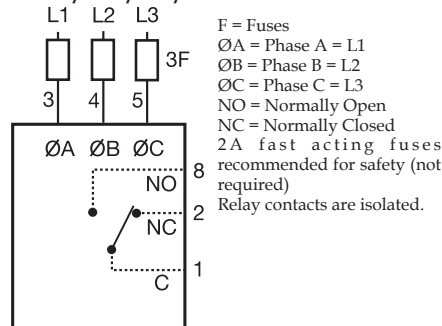
**FIGURE 11 - DLMU Series**



**FIGURE 12 - HLMU Series**



**FIGURE 13 - PLMU/PLM/PLR/PLS Series**



**FIGURE 14 - TVM/TVW Series**

