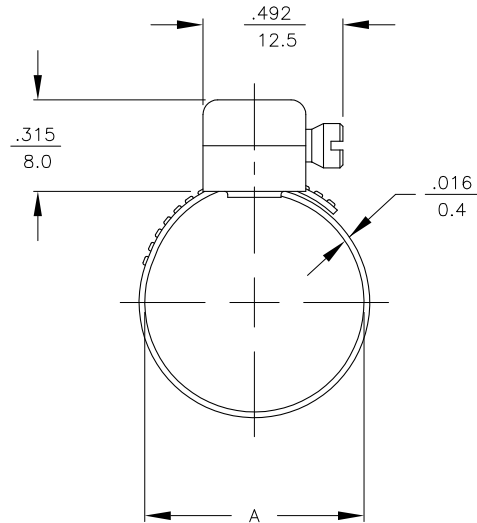
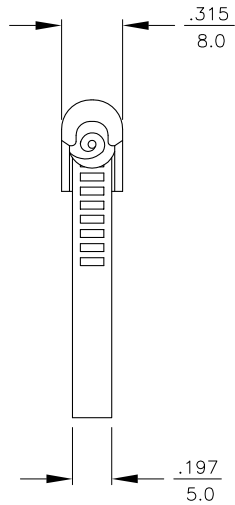


PART NUMBER	ID. NUMBER	RAW MATERIAL NUMBER	DIMENSIONS
			A
ASB-6	6965106	69651060	$\frac{1.890-2.322}{48-59}$



RELATED DOCUMENTS				3RD ANGLE PROJECTION		THIS DRAWING IS PROPERTY OF TURCK INC. USE OF THIS DOCUMENT WITHOUT WRITTEN PERMISSION IS PROHIBITED.		TURCK INC High Technology Sensors and Automation Controls 3000 CAMPUS DRIVE MINNEAPOLIS, MN 55441 1-800-544-7769 (763) 553-7300 (763) 553-0708 fax turck.com	
1. 2. 3. 4.						DRFT SWC		DATE 6/27/96	
MATERIAL ALUMINUM				ALL DIMENSIONS DISPLAYED ON THIS DRAWING ARE FOR REFERENCE ONLY		DSGN		SCALE NONE	
FINISH CLEAR ANODIZE				CONTACT TURCK FOR MORE INFORMATION		UNIT OF MEASUREMENT		DESCRIPTION ASB-6 STRAP	
						INCH [MILLIMETER]		IDENTIFICATION NO. M6965106	
						DO NOT SCALE THIS DRAWING		REV B	
B UPDATE TO NEW TITLE BLOCK				RDS 11/04/02 5504		FILE: M6965106		SHEET 1 OF 1	
REV DESCRIPTION				BY DATE ECO NO.					