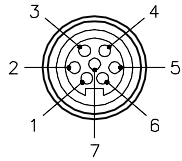
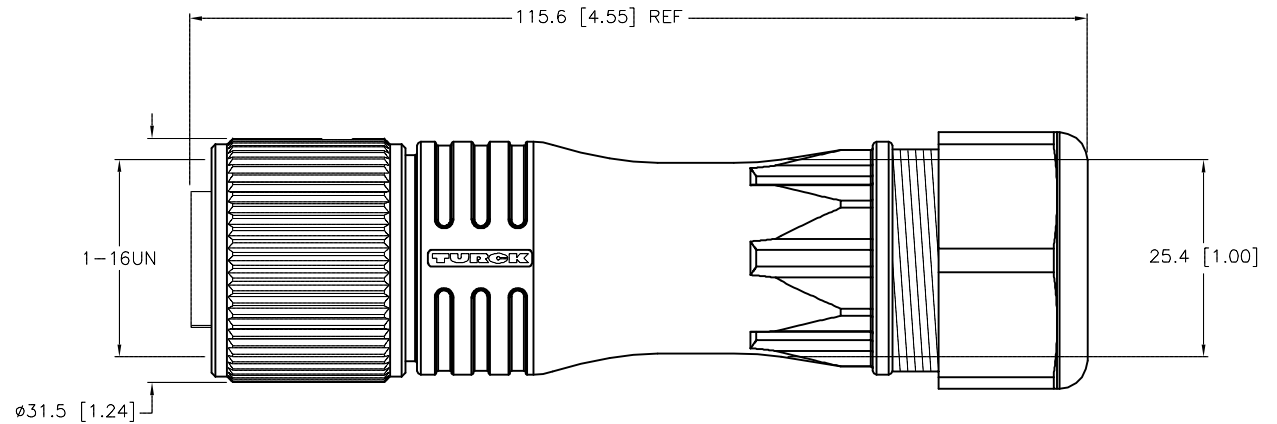
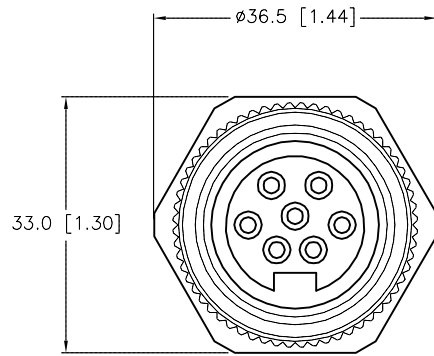


FEMALE END VIEW



SPECIFICATIONS

CONTACT CARRIER MATERIAL/COLOR	NYLON/BLACK
MOLDED HEAD MATERIAL/COLOR	NYLON/BLACK
CONTACT MATERIAL/PLATING	BRASS/GOLD
COUPLING NUT MATERIAL/PLATING	BRASS/NICKEL
RATED CURRENT [A]	8.0 A
RATED VOLTAGE [V]	600 V
CABLE RANGE	9.0 mm to 16.0 mm
TEMPERATURE RATING	-40°C to +105°C (-40°F to +221°F)
PROTECTION CLASS	MEETS IEC IP67
MAX. CONDUCTOR SIZE	14 AWG



SOURCE DRAWING - FOR REFERENCE ONLY

RELATED DOCUMENTS		3RD ANGLE PROJECTION		THIS DRAWING IS CONFIDENTIAL AND THE PROPERTY OF TURCK INC. USE OF THIS DOCUMENT WITHOUT WRITTEN PERMISSION IS PROHIBITED.		<b>TURCK INC</b> High Technology Sensors and Automation Controls 3000 CAMPUS DRIVE MINNEAPOLIS, MN 55441 1-800-544-7769 (763) 553-7300 (763) 553-0708 fax turck.com		
1.			ALL DIMENSIONS DISPLAYED ON THIS DRAWING ARE FOR REFERENCE ONLY	DRFT	PJ	DATE	02/06/07	
2.				APVD		SCALE	1=1.0	DESCRIPTION
3.				UNIT OF MEASUREMENT			IDENTIFICATION NO.	REV
4.			CONTACT TURCK FOR MORE INFORMATION	MILLIMETER [ INCH ]			U2-04067	C
MATERIAL	SEE SPECIFICATIONS			DO NOT SCALE THIS DRAWING			FILE: U2-04067	
FINISH	SEE SPECIFICATIONS							

C	ADD MAX. CONDUCTOR SIZE	RDS	04/15/15	49513
REV	DESCRIPTION	BY	DATE	ECO NO.