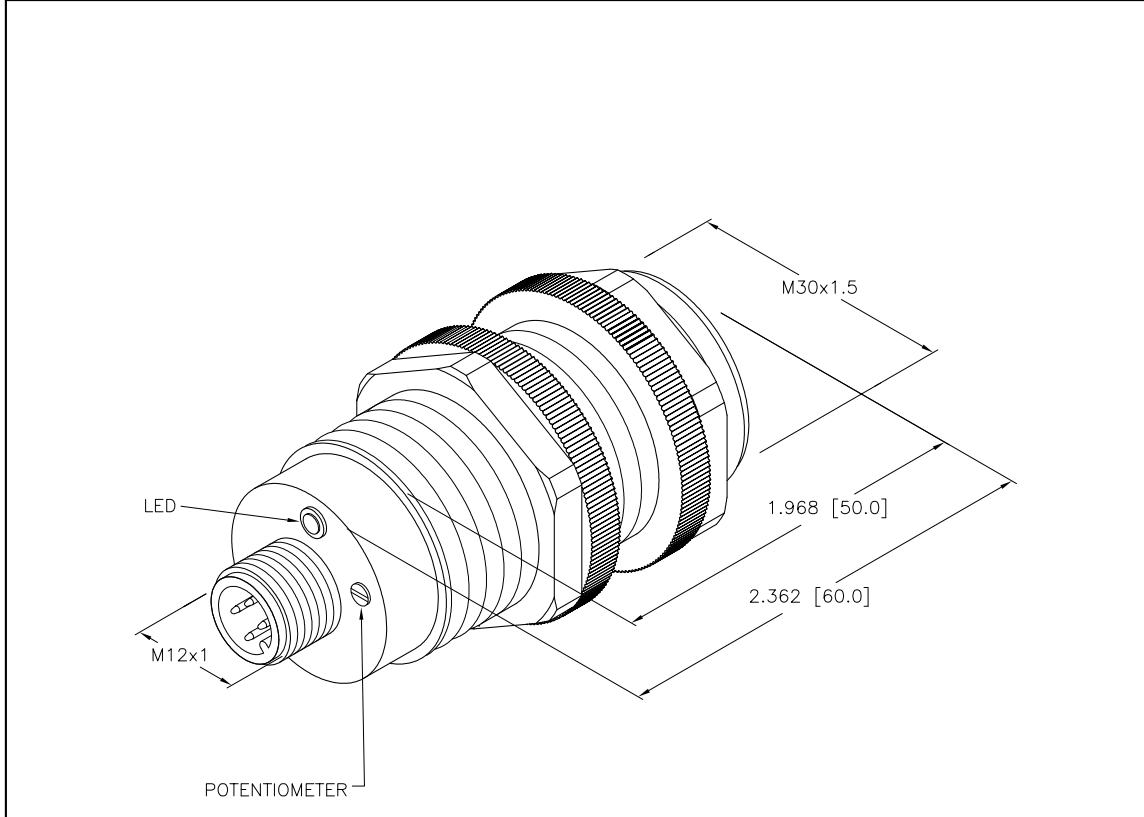


| SPECIFICATIONS | |
|---|---|
| OPERATING VOLTAGE | 10-65 VDC |
| RIPPLE | ≤10% |
| DIFFERENTIAL (TRAVEL) HYSTERESIS | 2-20% (5% TYPICAL) |
| VOLTAGE DROP ACROSS CONDUCTING SENSOR | ≤ 1.8 V at 200 mA |
| OUTPUT FUNCTION | COMPLEMENTARY OUTPUT ONE N.O., ONE N.C. (SPDT) |
| TTL COMPATIBLE | NO |
| SHORT-CIRCUIT PROTECTED | YES |
| TRIGGER CURRENT FOR OVERLOAD PROTECTION | ≥ 220 mA |
| CONTINUOUS LOAD CURRENT | ≤ 200 mA |
| OFF-STATE (LEAKAGE) CURRENT | < 10 μA |
| NO-LOAD CURRENT | ≤ 12.0 mA |
| TIME DELAY BEFORE AVAILABILITY | ≤ 25 ms |
| POWER-ON EFFECT PROTECTION | Per IEC 947-5-2 |
| POLARITY INVERSION PROTECTION | INCORPORATED |
| WIRE-BREAK PROTECTION | INCORPORATED |
| PROTECTION AGAINST TRANSIENTS | 2 kV, 1ms, 1 kΩ |
| OPERATING TEMPERATURE | -25°C to +70°C (-13°F to +158°F) |
| ENCLOSURE | MEETS NEMA 1,3,4,6,13 AND IEC IP67 |
| SHOCK | 30 g, 11 ms |
| VIBRATION | 55 Hz, 1 mm AMPLITUDE (3 PLANES) |
| LED FUNCTION | YELLOW: OUTPUT ENERGIZED |
| RATED OPERATING DIATANCE | 10 mm = .394" (NOMINAL) |
| SWITCHING FREQUENCY | 100 Hz |
| REPEATABILITY | ≤ 2% OF RATED OPERATING DISTANCE |
| EMBEDDABLE (SHIELDED) | YES |
| MATING PLUGS/CABLES | 4-PIN "EUROFAST" CONSTRUCTION |



SOURCE DRAWING - FOR REFERENCE ONLY

| | | | | | |
|---|---|---|------------------------------|---|----------|
| RELATED DOCUMENTS 1. 2. 3. 4. | 3RD ANGLE PROJECTION | THIS DRAWING IS PROPERTY OF TURCK INC. USE OF THIS DOCUMENT WITHOUT WRITTEN PERMISSION IS PROHIBITED. | | 3000 CAMPUS DRIVE MINNEAPOLIS, MN 55441 1-800-544-7769 (763) 553-7300 (763) 553-0708 fax turck.com | |
| | MATERIAL PLASTIC BARREL PLASTIC HOUSING | DRFT JBU DSGN MH | DATE 06/13/03 SCALE 1=1.0 | DESCRIPTION BC10-S30-VP4X-H1141 | |
| FINISH | ALL DIMENSIONS DISPLAYED ON THIS DRAWING ARE FOR REFERENCE ONLY | UNIT OF MEASUREMENT INCH [MILLIMETER] | | IDENTIFICATION NO. M2506100 | REV B |
| B UPDATE BARREL LENGTH | RDS 02/07/07 | 17160 | DO NOT SCALE THIS DRAWING | | |
| REV DESCRIPTION | BY DATE ECO NO. | FILE: M2506100 | | SHEET 1 OF 1 | |