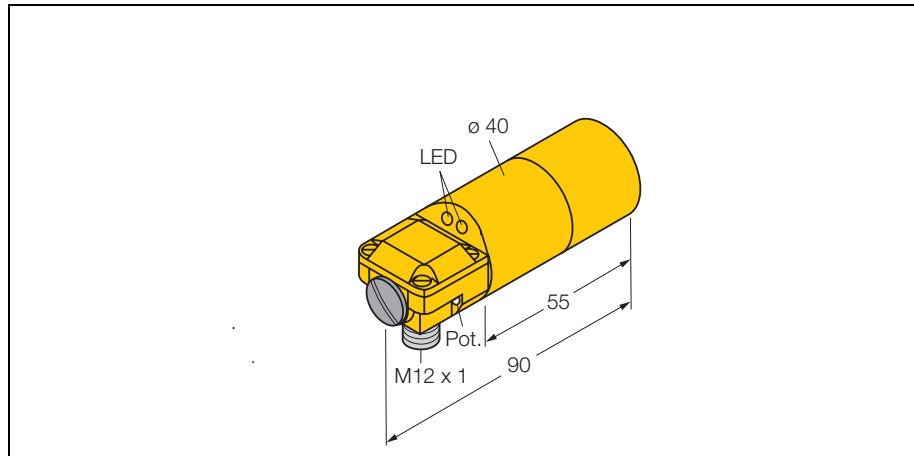


capacitive sensor

BC20-K40SR-VN4X2-H1141

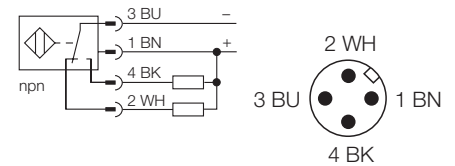
TURCK

Industrial
Automation



- smooth barrel, 40 mm diameter
- plastic, ABS
- fine adjustment via potentiometer
- 4-wire DC, 10...65 VDC
- change-over, npn output
- connector, M12 x 1

Wiring diagram



Capacitive proximity switches are designed for non-contact and wear-free detection of metal (electrically conductive) and non-metal (electrically non-conductive) objects.

Type	BC20-K40SR-VN4X2-H1141
Ident-No.	2510104
Hysteresis	2... 20 %
Temperature drift	≤ ± 20 %
Repeatability	≤ 2 %
Ambient temperature	-25...+ 70 °C
Operating voltage	10... 65VDC
Residual ripple	≤ 10 % U _{SS}
DC rated operational current	≤ 200 mA
No-load current I ₀	≤ 15 mA
Residual current	≤ 0.1 mA
Rated insulation voltage	≤ 0.5 kV
Output function	4-wire, change-over, npn
Short-circuit protection	yes / cyclic
Voltage drop at I _e	≤ 1.8V
Wire breakage / Reverse polarity protection	yes / complete
Housing	smooth barrel, 40 mm
Dimensions	90 mm
Housing material	plastic, ABS
Material active face	plastic, ABS
Connection	connectors, M12 x 1
Clamping ability	≤ 2.5mm ²
Vibration resistance	55 Hz (1 mm)
Shock resistance	30g (11 ms)
Degree of protection	IP67
Operating voltage display	LED green
Display switch state	LED yellow
Included in scope of supply	BS40, cable gland, blanking plug

capacitive sensor
BC20-K40SR-VN4X2-H1141

TURCK

Industrial
Automation

Accessories

Type code	Ident-No.	Short text	Dimension drawing
MAP-K40	6950014	mounting adapter; material: Polypropylene; sensor replacement with filled container possible (adapter remains in container during sensor replacement)	
BS40	69466	fixing clamp; material mounting block: PBT	