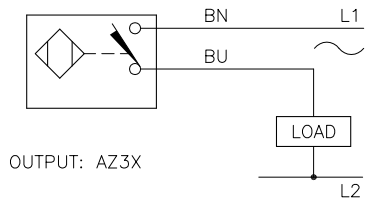


### WIRING DIAGRAM

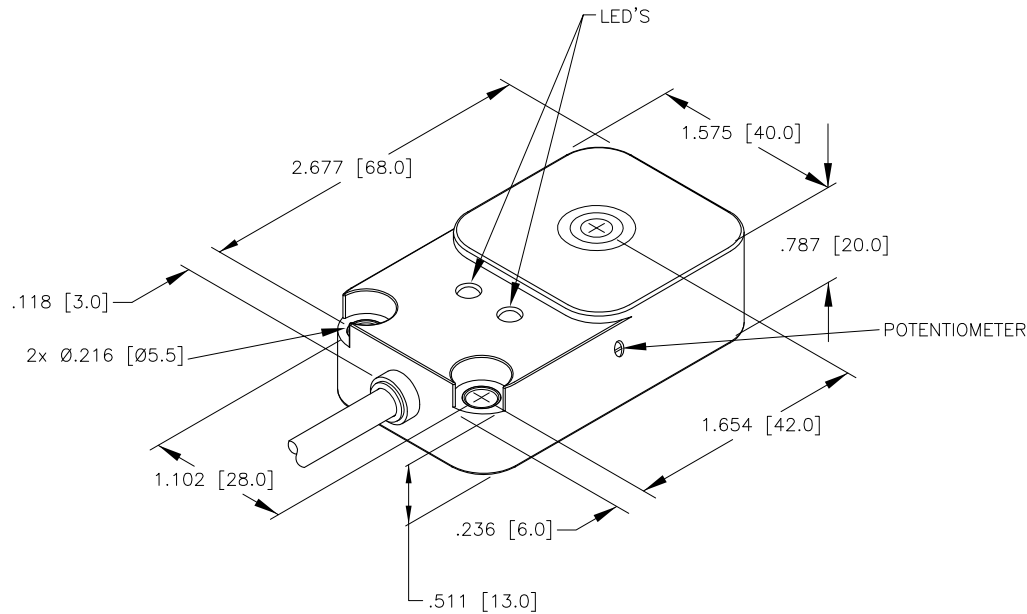


OUTPUT: AZ3X

WARNING: NO SHORT-CIRCUIT PROTECTION  
ALWAYS WIRE A LOAD IN SERIES WITH THE SENSOR.

### SPECIFICATIONS

OPERATING VOLTAGE	20-250 VAC
LINE FREQUENCY	40-60 Hz
DIFFERENTIAL (TRAVEL) HYSTERESIS	2-20% (5% TYPICAL)
VOLTAGE DROP ACROSS CONDUCTING SENSOR	≤ 7.0 V at 500 mA
OUTPUT FUNCTION -AZ	NORMALLY OPEN 2-WIRE AC SELF-CONTAINED
SHORT-CIRCUIT PROTECTED	NO
CONTINUOUS LOAD CURRENT	≤ 500 mA
OFF-STATE (LEAKAGE) CURRENT	≤ 1.7 mA
MINIMUM LOAD CURRENT	≥ 5.0 mA
INRUSH CURRENT	≤ 8.0 A (≤ 10 ms/5% DUTY CYCLE)
TIME DELAY BEFORE AVAILABILITY	≤ 60 ms
POWER-ON EFFECT PROTECTION	Per IEC 947-5-2
PROTECTION AGAINST TRANSIENTS	5 kV, 10ms, 10 kΩ
OPERATING TEMPERATURE	-25°C to +70°C (-13°F to +158°F)
ENCLOSURE	MEETS NEMA 1,3,4,6,13 AND IEC IP67
SHOCK	30 g, 11 ms
VIBRATION	55 Hz, 1 mm AMPLITUDE (3 PLANES)
LED FUNCTION	GREEN: POWER ON RED: OUTPUT ENERGIZED
SENSING RANGE	20 mm = .787" (NOMINAL)
SWITCHING FREQUENCY	20 Hz
REPEATABILITY	≤ 2% OF RATED OPERATING DISTANCE
CABLE OUTER JACKET MATERIAL	PVC



SOURCE DRAWING - FOR REFERENCE ONLY

RELATED DOCUMENTS		3RD ANGLE PROJECTION		THIS DRAWING IS PROPERTY OF TURCK INC. USE OF THIS DOCUMENT WITHOUT WRITTEN PERMISSION IS PROHIBITED.		 3000 CAMPUS DRIVE MINNEAPOLIS, MN 55441 1-800-544-7769 (763) 553-7300 (763) 553-0708 fax turck.com	
1. 2. 3. 4.				DRFT RDS	DATE 01/13/03	DESCRIPTION BC20-Q20-AZ3X2	
MATERIAL PBT-GF30-VO PLASTIC HOUSING		ALL DIMENSIONS DISPLAYED ON THIS DRAWING ARE FOR REFERENCE ONLY		DSGN	SCALE NONE	IDENTIFICATION NO. M4352000	
FINISH		CONTACT TURCK FOR MORE INFORMATION		UNIT OF MEASUREMENT <b>INCH [ MILLIMETER ]</b>		REV A	
A DRAWING RELEASE		RDS 01/14/03		DO NOT SCALE THIS DRAWING		FILE: M4352000	
REV	DESCRIPTION	BY	DATE	ECO NO.	SHEET 1 OF 1		