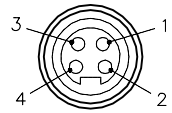


S1 CONNECTOR

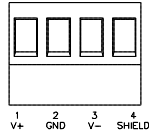


- 1 = + VOLTAGE
- 2 = GROUND
- 3 = - VOLTAGE
- 4 = SHIELD



PROFIBUS-PA

TERMINAL BLOCK PLUGS

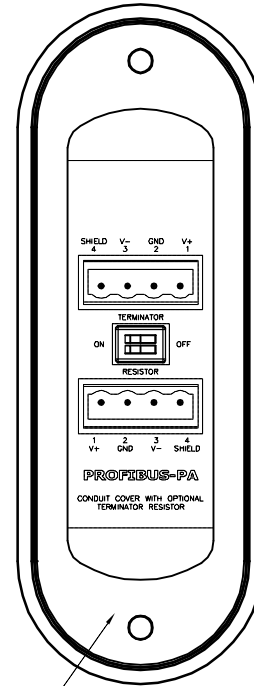
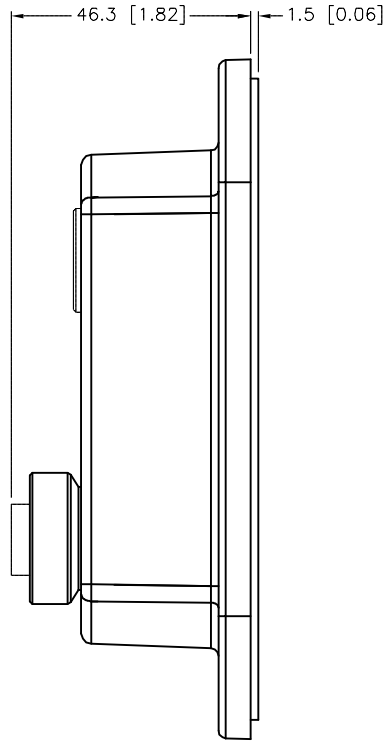
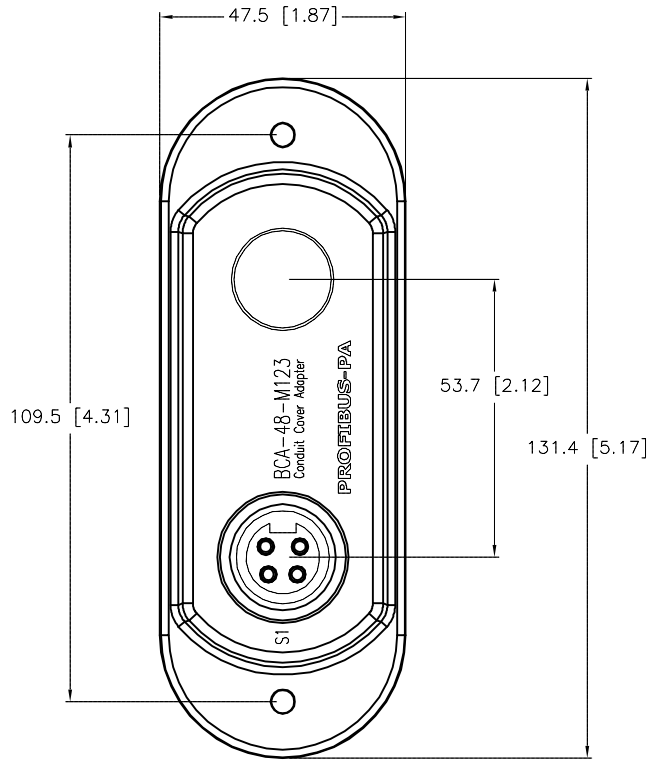


- 1 = + VOLTAGE
- 2 = GROUND
- 3 = - VOLTAGE
- 4 = SHIELD

PROFIBUS-PA

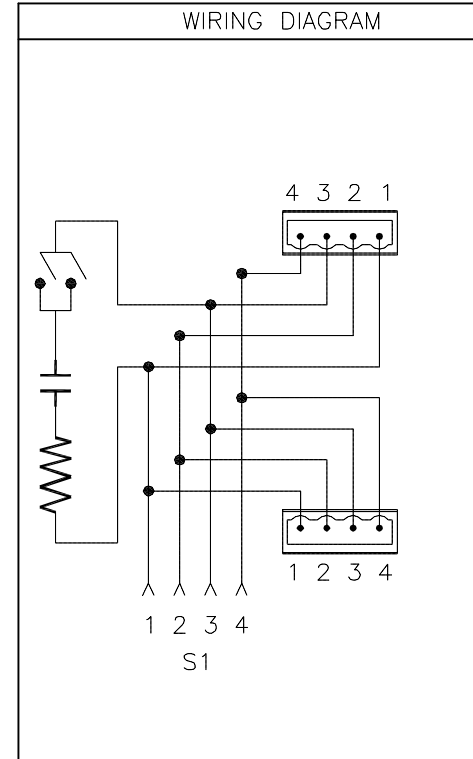
SPECIFICATIONS

HOUSING MATERIAL/COLOR	NYLON 66 - 33% GLASS FILLED/BLACK
RECEPTACLE HOUSING MATERIAL/FINISH	STAINLESS STEEL/PASSIVATED
CONTACT CARRIERS/COLOR	TPU/BLACK
CONTACT MATERIAL/PLATING	BRASS/GOLD
OPERATING VOLTAGE	40 V
OPERATING CURRENT	8 A
OPTIONAL TERMINATOR RESISTOR	1 OF 2 SWITCHES IN "ON" POSITION
PROTECTION CLASS to DIN 40050	IP 67 - ONLY WHEN ALL RECEPTACLES ARE COVERED WITH PLUGS OR CONNECTED
OPERATING TEMPERATURE	-40°C to +70°C (-40°F to +158°F)

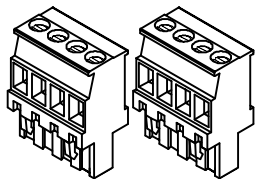
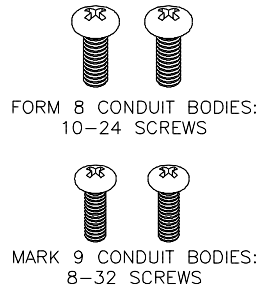


SEALING GASKET

WIRING DIAGRAM



COVER SCREWS INCLUDED



TERMINAL PLUGS INCLUDED

SOURCE DRAWING - FOR REFERENCE ONLY

RELATED DOCUMENTS 1. 2. 3. 4.	3RD ANGLE PROJECTION 	THIS DRAWING IS CONFIDENTIAL AND THE PROPERTY OF TURCK INC. USE OF THIS DOCUMENT WITHOUT WRITTEN PERMISSION IS PROHIBITED.		3000 CAMPUS DRIVE MINNEAPOLIS, MN 55441 1-800-544-7769 (763) 553-7300 (763) 553-0708 fax turck.com	
		DRFT DF APVD DF	DATE 03/26/02 SCALE 1=1.5	DESCRIPTION BCA-48-M123	
MATERIAL	ALL DIMENSIONS DISPLAYED ON THIS DRAWING ARE FOR REFERENCE ONLY	UNIT OF MEASUREMENT MILLIMETER [INCH]		DO NOT SCALE THIS DRAWING	
FINISH	CONTACT TURCK FOR MORE INFORMATION	FILE: U8606-1		SHEET 1 OF 1	

F	ADD THICKER GASKET	RDS	09/12/13	42993
REV	DESCRIPTION	BY	DATE	ECO NO.