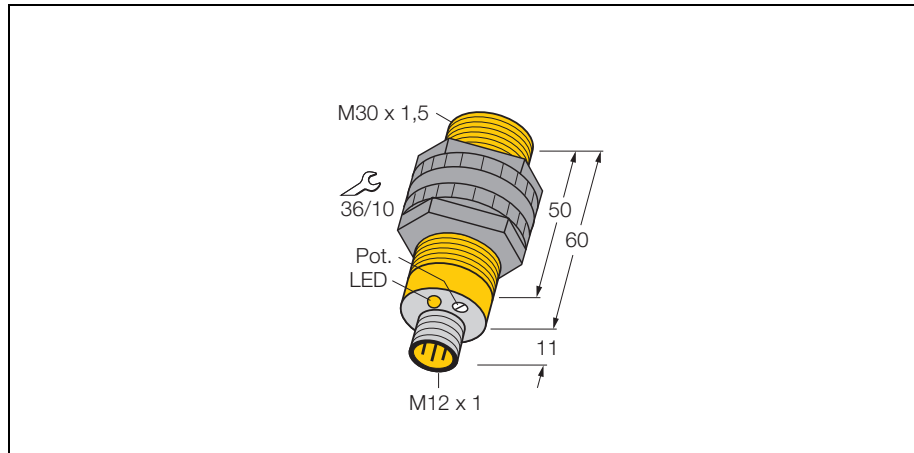


capacitive sensor

BCC10-S30-AP4X-H1141

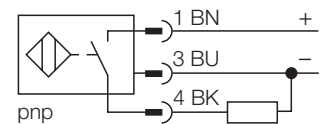
TURCK

Industrial
Automation



- Especially for dry granulates and the plastic industry
- Identical switching distance with flush and non-flush mounting
- Threaded barrel, M30 x 1.5
- Plastic, PA12-GF30
- fine adjustment via potentiometer
- 3-wire DC, 10...65 VDC
- normally open, pnp output
- connector, M12 x 1

Wiring diagram



Capacitive proximity switches are designed for non-contact and wear-free detection of metal (electrically conductive) and non-metal (electrically non-conductive) objects.

Type	BCC10-S30-AP4X-H1141
Ident-No.	2503038
Rated operating distance Sn	10 mm, flush mounting
Rated operating distance Sn	10 mm, non-flush mounting
Hysteresis	2... 20 %
Temperature drift	≤ ± 20 %
Repeatability	≤ 2 %
Ambient temperature	-25...+ 70 °C
Operating voltage	10... 65VDC
Residual ripple	≤ 10 % U _{SS}
DC rated operational current	≤ 200 mA
No-load current I ₀	≤ 15 mA
Residual current	≤ 0.1 mA
Rated insulation voltage	≤ 0.5 kV
Output function	3-wire, normally open, pnp
Short-circuit protection	yes / cyclic
Voltage drop at I _e	≤ 1.8V
Wire breakage / Reverse polarity protection	yes / complete
Housing	threaded barrel, M30 x 1.5
Dimensions	71 mm
Housing material	plastic, PA12-GF30
Material active face	plastic, PA12-GF30
Tightening torque of housing nut	5 Nm
Connection	connectors, M12 x 1
Vibration resistance	55 Hz (1 mm)
Shock resistance	30g (11 ms)
Degree of protection	IP67
Display switch state	LED yellow

capacitive sensor
BCC10-S30-AP4X-H1141

TURCK

Industrial
Automation

Accessories

Type code	Ident-No.	Short text	Dimension drawing
MAP-M30	6950013	mounting adapter; material: Polypropylene; sensor replacement with filled container possible (adapter remains in container during sensor replacement)	
BST-30B	6947216	fixing clamp with dead-stop; material: PA6	