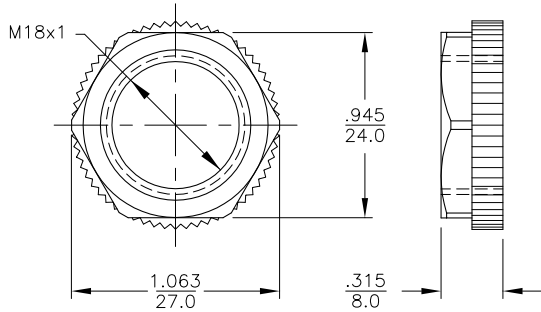
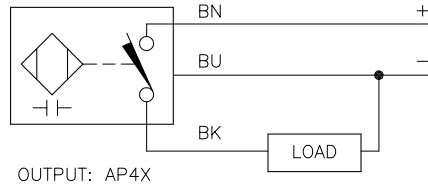


LOCKNUT LN-P18



WIRING DIAGRAM

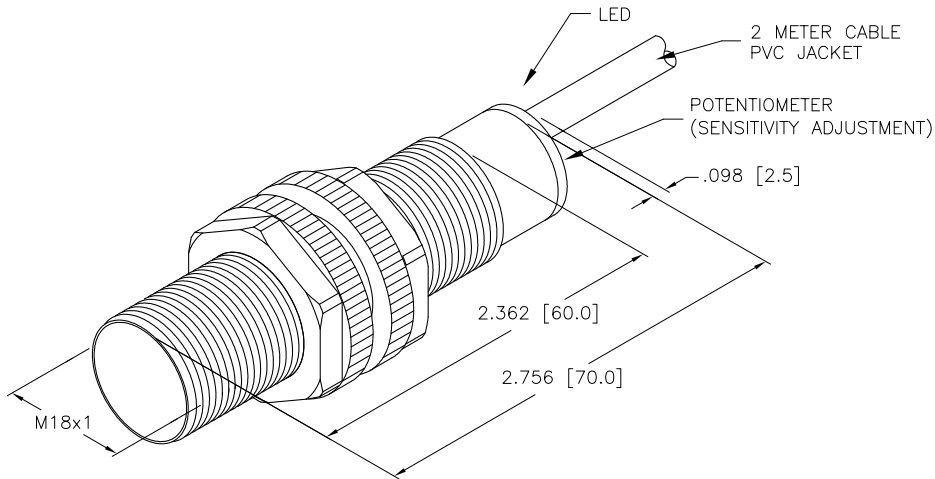


OUTPUT: AP4X

SHORT-CIRCUIT AND OVERLOAD PROTECTED

SPECIFICATIONS

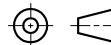
OPERATING VOLTAGE	10-65 VDC
RIPPLE	≤10%
DIFFERENTIAL (TRAVEL) HYSTERESIS	2-20% (5% TYPICAL)
VOLTAGE DROP ACROSS CONDUCTING SENSOR	≤ 1.8 V at 200 mA
OUTPUT FUNCTION	NORMALLY OPEN, SELF CONTAINED
TTL COMPATIBLE	NO
SHORT-CIRCUIT PROTECTED	YES
TRIGGER CURRENT FOR OVERLOAD PROTECTION	≥ 220 mA
CONTINUOUS LOAD CURRENT	≤ 200 mA
OFF-STATE (LEAKAGE) CURRENT	<100 μA
NO-LOAD CURRENT	≤ 12.0 mA
TIME DELAY BEFORE AVAILABILITY	≤ 25 ms
POWER-ON EFFECT PROTECTION	Per IEC 947-5-2
POLARITY INVERSION PROTECTION	INCORPORATED
WIRE-BREAK PROTECTION	INCORPORATED
OPERATING TEMPERATURE	-25°C to +70°C (-13°F to +158°F)
ENCLOSURE	MEETS NEMA 1,3,4,6,13 AND IEC IP67
SHOCK	30 g, 11 ms
VIBRATION	55 Hz, 1 mm AMPLITUDE (3 PLANES)
LED ON	OUTPUT ENERGIZED
SENSING RANGE	5 mm = .197" (NOMINAL)
SWITCHING FREQUENCY	100 Hz
REPEATABILITY	≤ 2% OF RATED OPERATING DISTANCE
IMMUNITY TO ESD	8 kV DIRECT/ 30 kV AIRBORNE
IMMUNITY TO RFI	15 V/M, 80-1000 MHz
IMMUNITY TO ELECTRICAL FAST TRANSIENTS	3000 V
IMMUNITY TO LINE COUPLED NOISE	>10V, 150 KHz-230 MHz
IMMUNITY TO SURGES	1 kV, 500 Ω DC



RELATED DOCUMENTS

- 1.
- 2.
- 3.
- 4.

3RD ANGLE PROJECTION



THIS DRAWING IS PROPERTY OF TURCK INC. USE OF THIS DOCUMENT WITHOUT WRITTEN PERMISSION IS PROHIBITED.

TURCK INC
High Technology Sensors and Automation Controls

3000 CAMPUS DRIVE
MINNEAPOLIS, MN 55441
1-800-544-7769
(763) 553-7300
(763) 553-0708 fax
turck.com

MATERIAL
PA 12-GF30
PLASTIC

FINISH

ALL DIMENSIONS DISPLAYED ON THIS DRAWING ARE FOR REFERENCE ONLY

CONTACT TURCK FOR MORE INFORMATION

DRFT	RDS	DATE	05/22/02
DSGN		SCALE	1=1.0

UNIT OF MEASUREMENT
INCH [MILLIMETER]

DO NOT SCALE THIS DRAWING

DESCRIPTION
BCF 5-S18-AP4X

IDENTIFICATION NO.
M2503011

REV
D

FILE: M2503011

SHEET 1 OF 1

D	UPDATE BARREL LENGTH	RDS	06/15/11	35386
REV	DESCRIPTION	BY	DATE	ECO NO.