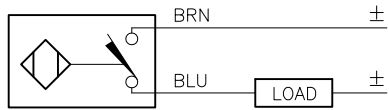


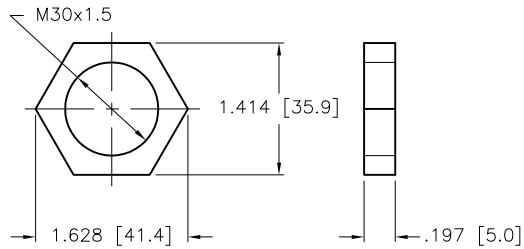
WIRING DIAGRAM

LOCKNUT LN-M30



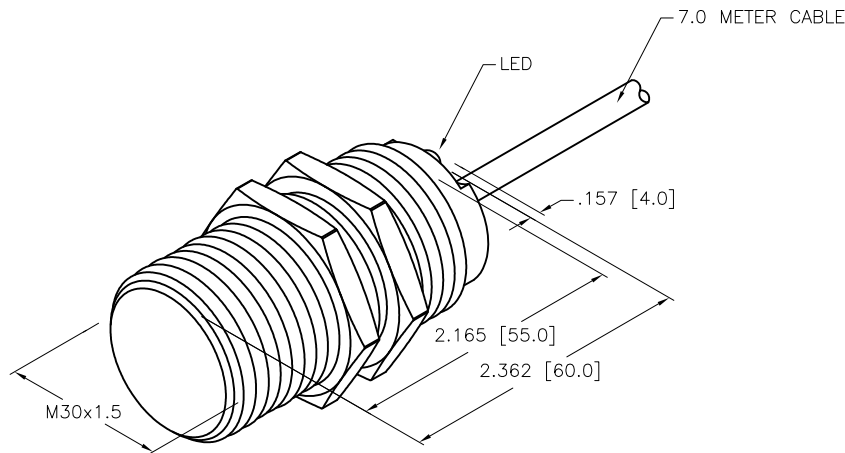
OUTPUT: AD4X

SHORT-CIRCUIT AND OVERLOAD PROTECTED



SPECIFICATIONS

RATED OPERATING DISTANCE	10mm [.394"]
MOUNTING MODE	FLUSH
HYSTERESIS	1-15%
MIN. REPEAT ACCURACY	≤ 2%
TEMPERATURE DRIFT	≤ ± 10%
OPERATING TEMPERATURE	-25°C to +70°C (-13°F to +158°F)
RATED OPERATIONAL VOLTAGE	10-65 VDC
RESIDUAL RIPPLE	≤ 10%
RATED OPERATIONAL CURRENT	≤ 100 mA
RESIDUAL CURRENT	≤ 0.6 mA
RATED INSULATION VOLTAGE	≤ 0.5 kV
SHORT-CIRCUIT PROTECTED	YES
SMALLEST OPERATING CURRENT	≥ 2.0 mA
MAX. VOLTAGE DROP	≤ 5.0 V
OUTPUT FUNCTION	2-WIRE, NORMALLY OPEN
MAX. SWITCHING FREQUENCY	≤ 0.5 kHz
HOUSING MATERIAL/PLATING	BRASS/CHROME
ACTIVE FACE MATERIAL	PLASTIC, PA12-GF30
END CAP MATERIAL	PLASTIC, EPTR
CABLE	5.2 DIA., PVC
SHOCK RESISTANCE	30 g, 11 ms
VIBRATION RESISTANCE	55 Hz, 1 mm AMPLITUDE (IN ALL 3 PLANES)
DEGREE OF PROTECTION	IP67
SWITCHING STATUS INDICATION	LED, YELLOW



SOURCE DRAWING - FOR REFERENCE ONLY

RELATED DOCUMENTS		3RD ANGLE PROJECTION		THIS DRAWING IS CONFIDENTIAL AND THE PROPERTY OF TURCK INC. USE OF THIS DOCUMENT WITHOUT WRITTEN PERMISSION IS PROHIBITED.		<b>TURCK INC</b> High Technology Sensors and Automation Controls 3000 CAMPUS DRIVE MINNEAPOLIS, MN 55441 1-800-544-7769 (763) 553-7300 (763) 553-0708 fax turck.com	
1. 2. 3. 4.				DRFT RDS DATE 02/07/12 APVD J.M. SCALE 1=1.3		DESCRIPTION BI10-M30-AD4X 7M	
MATERIAL SEE SPECIFICATIONS		ALL DIMENSIONS DISPLAYED ON THIS DRAWING ARE FOR REFERENCE ONLY		UNIT OF MEASUREMENT <b>INCH [ MILLIMETER ]</b>		IDENTIFICATION NO. T4417007	
FINISH		CONTACT TURCK FOR MORE INFORMATION		DO NOT SCALE THIS DRAWING		REV A	
A	DRAWING RELEASE	RDS	02/09/12				
REV	DESCRIPTION	BY	DATE	ECO NO.	FILE: T4417007		SHEET 1 OF 1

A	DRAWING RELEASE	RDS	02/09/12	
REV	DESCRIPTION	BY	DATE	ECO NO.