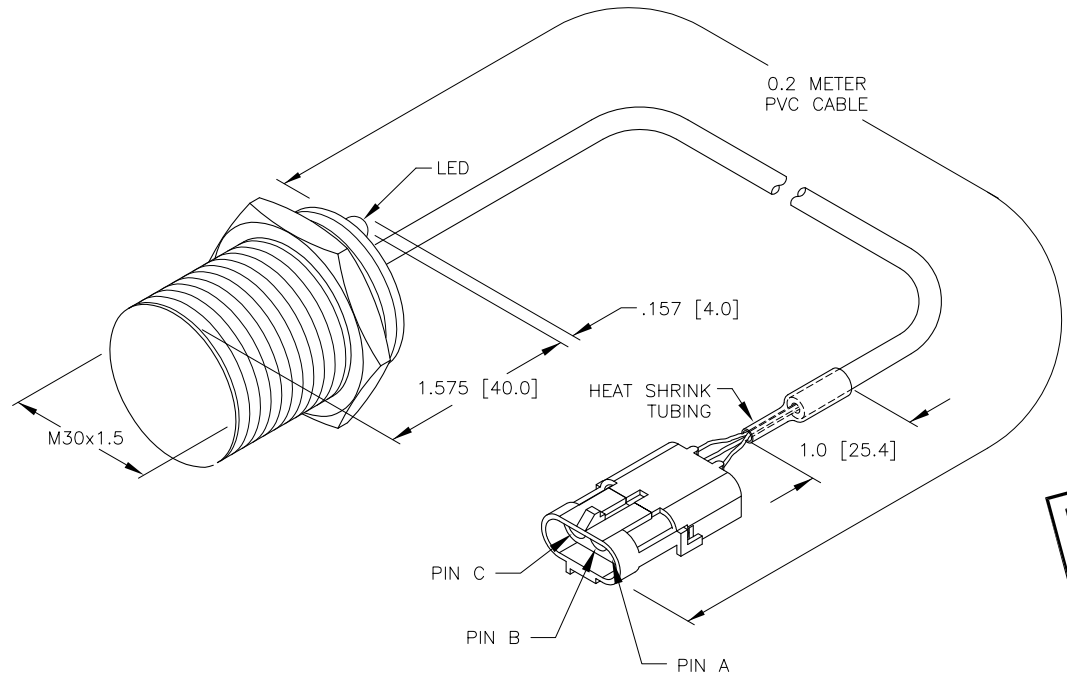


SPECIFICATIONS	
OPERATING VOLTAGE	10-30 VDC
RIPPLE	≤ 10%
DIFFERENTIAL TRAVEL (HYSTERESIS)	3-15% (5% TYPICAL)
VOLTAGE DROP ACROSS CONDUCTING SENSOR	≤ 1.8 V at 200 mA
OUTPUT FUNCTION	NORMALLY OPEN 3-WIRE DC SELF-CONTAINED
TTL COMPATIBLE	NO
SHORT-CIRCUIT PROTECTED	YES
TRIGGER CURRENT FOR OVERLOAD PROTECTION	≥ 220 mA
CONTINUOUS LOAD CURRENT	≤ 200 mA
OFF-STATE (LEAKAGE) CURRENT	≤ 0.1 mA
NO-LOAD CURRENT	≤ 8 mA
TIME DELAY BEFORE AVAILABILITY	≤ 8 ms
POWER-ON EFFECT	PER IEC 947-5-2
REVERSE POLARITY PROTECTION	INCORPORATED
WIRE-BREAK PROTECTION	INCORPORATED
PROTECTION AGAINST TRANSIENTS	Per EN 60947-5-2
OPERATING TEMPERATURE (10% DRIFT)	-25°C to +70°C (-13°F to +158°F)
OPERATING TEMPERATURE (15% DRIFT)	-30°C to +85°C (-22°F to +185°F)
ENCLOSURE	MEETS NEMA 1, 3, 4, 6, 13 AND IEC IP67
SHOCK	30 g, 11 ms
VIBRATION	55 Hz, 1 mm AMPLITUDE (IN ALL 3 PLANES)
LED FUNCTION	YELLOW: OUTPUT ENERGIZED
RATED OPERATING DISTANCE(Sn)	15mm = .591" (NOMINAL)
SWITCHING FREQUENCY	400 Hz
REPEATABILITY	≤ 2% of RATED OPERATING DISTANCE
EMBEDDABLE (SHIELDED)	YES



ACCEPTED
NAME _____
DATE _____

- NOTES:
- "S1598" INDICATES:
 - CABLE TO BE 0.2 METERS IN LENGTH. (SEE DRAWING)
 - NO MARKINGS ON SENSOR FACE.
 - DATE CODE ONLY TO BE STAMPED ON CABLE.
(STAMP MUST BE WITHIN 50MM OF SENSOR)
 - PACKARD (WEATHER PACK) CONNECTOR
 - PACKARD WEATHER PACK PART NUMBERS:
 - P/N 12010717 = SHELL
 - P/N 12089040 = PINS
 - P/N 12015899 = SEAL

SOURCE DRAWING - FOR REFERENCE ONLY

RELATED DOCUMENTS 1. 2. 3. 4.	3RD ANGLE PROJECTION 	THIS DRAWING IS PROPERTY OF TURCK INC. USE OF THIS DOCUMENT WITHOUT WRITTEN PERMISSION IS PROHIBITED.		3000 CAMPUS DRIVE MINNEAPOLIS, MN 55441 1-800-544-7769 (763) 553-7300 (763) 553-0708 fax turck.com	
	MATERIAL STAINLESS STEEL	DRFT DSGN	CBM	DATE 10/04/01	DESCRIPTION Bi15-G30K-AP6X/S1598
FINISH COPPER, NICKEL, CHROME PLATING	ALL DIMENSIONS DISPLAYED ON THIS DRAWING ARE FOR REFERENCE ONLY	UNIT OF MEASUREMENT INCH [MILLIMETER]		IDENTIFICATION NO. T4207390	REV D
DO NOT SCALE THIS DRAWING	CONTACT TURCK FOR MORE INFORMATION	FILE: T4207390		SHEET 1 OF 1	

D	ADDED HEAT SHRINK, REMOVED ONE NUT	RDS	11/22/02	5757
REV	DESCRIPTION	BY	DATE	ECO NO.