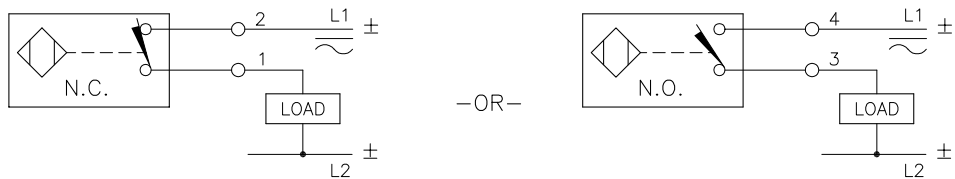
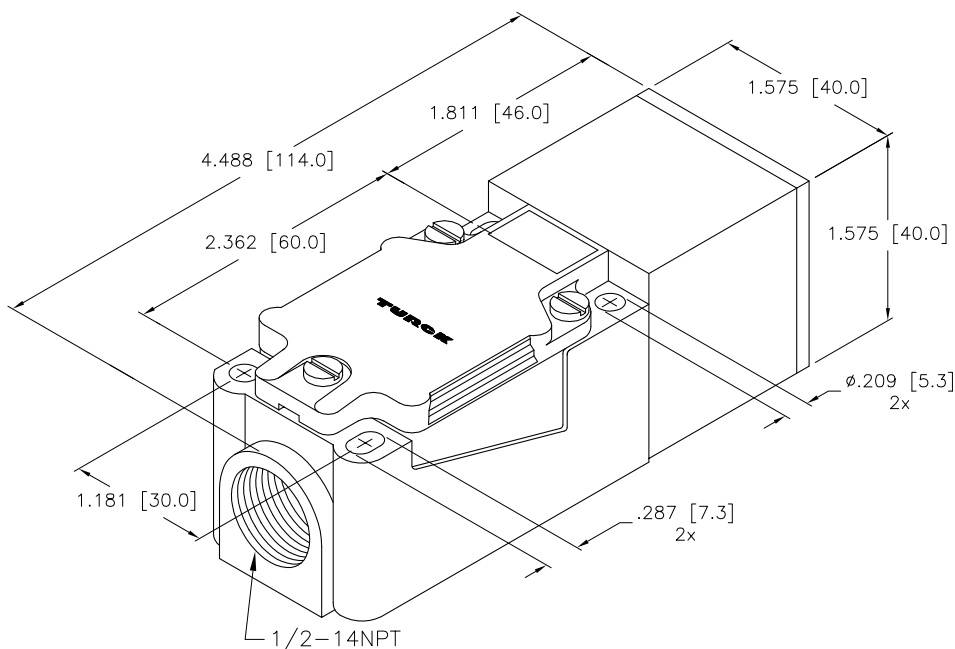


WIRING DIAGRAMS



SHORT-CIRCUIT AND OVERLOAD PROTECTED



SPECIFICATIONS

OPERATING VOLTAGE	20-250 VAC 10-300 VDC
LINE FREQUENCY	40-60 Hz
DIFFERENTIAL TRAVEL (HYSTERESIS)	3-15% (5% TYPICAL)
VOLTAGE DROP ACROSS CONDUCTING SENSOR	≤ 6.0 V
OUTPUT FUNCTION	CONNECTION PROGRAMMABLE NORMALLY OPEN OR NORMALLY CLOSED
SHORT-CIRCUIT PROTECTED	YES (LUTCHING)
TRIGGER CURRENT FOR OVERLOAD PROTECTION	≥ 440 mA
CONTINUOUS LOAD CURRENT	400 mA AC MAX. 300 mA DC MAX.
OFF-STATE (LEAKAGE) CURRENT	≤ 1.7 mA
MINIMUM LOAD CURRENT	≥ 3.0 mA
INRUSH CURRENT	≤ 4 A (20 ms/5 Hz)
TIME DELAY BEFORE AVAILABILITY	≤ 80 ms
POWER-ON EFFECT PROTECTION	YES
PROTECTION AGAINST TRANSIENTS	5 kV, 10 ms, 10 kΩ
OPERATING TEMPERATURE	-25°C TO +70°C (-13°F TO +158°F) (±10% DRIFT) -30°C TO +85°C (-22°F TO +185°F) (±15% DRIFT)
ENCLOSURE	MEETS NEMA 1, 3, 4, 6, 13 AND IEC IP67
SHOCK	30 g, 11 ms
VIBRATION	55 Hz, 1 mm AMPLITUDE (IN ALL THREE PLANES)
LED FUNCTION	GREEN: STEADY = POWER ON FLASHING = SHORT-CIRCUIT WARNING YELLOW: OUTPUT ENERGIZED
RATED OPERATING DISTANCE(Sn)	15 mm = .591" (NOMINAL)
SWITCHING FREQUENCY	60 Hz
REPEATABILITY	≤ 2% of RATED OPERATING DISTANCE
EMBEDDABLE (SHIELDED)	YES

NOTES:

1. SENSING HEAD TURNS TO ACCOMMODATE 9 DIFFERENT SENSING POSITIONS.

RELATED DOCUMENTS 1. 2. 3. 4.	3RD ANGLE PROJECTION 	THIS DRAWING IS PROPERTY OF TURCK INC. USE OF THIS DOCUMENT WITHOUT WRITTEN PERMISSION IS PROHIBITED.		TURCK INC High Technology Sensors and Automation Controls 3000 CAMPUS DRIVE MINNEAPOLIS, MN 55441 1-800-544-7769 (763) 553-7300 (763) 553-0708 fax turck.com	
	MATERIAL PBT-GF30-VO PLASTIC	DRFT RJP	DATE 5/10/96	DESCRIPTION Bi15U-CP40-FDZ30X2	
FINISH	ALL DIMENSIONS DISPLAYED ON THIS DRAWING ARE FOR REFERENCE ONLY	DSGN	SCALE NONE	IDENTIFICATION NO. M4280601	
	CONTACT TURCK FOR MORE INFORMATION	UNIT OF MEASUREMENT INCH [MILLIMETER]		REV C	
C UPDATE TO CURRENT TITLE BLOCK	RDS 09/12/02	5504	DO NOT SCALE THIS DRAWING		FILE: M4280601
REV DESCRIPTION	BY	DATE	ECO NO.	SHEET 1 OF 1	