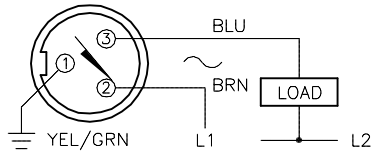
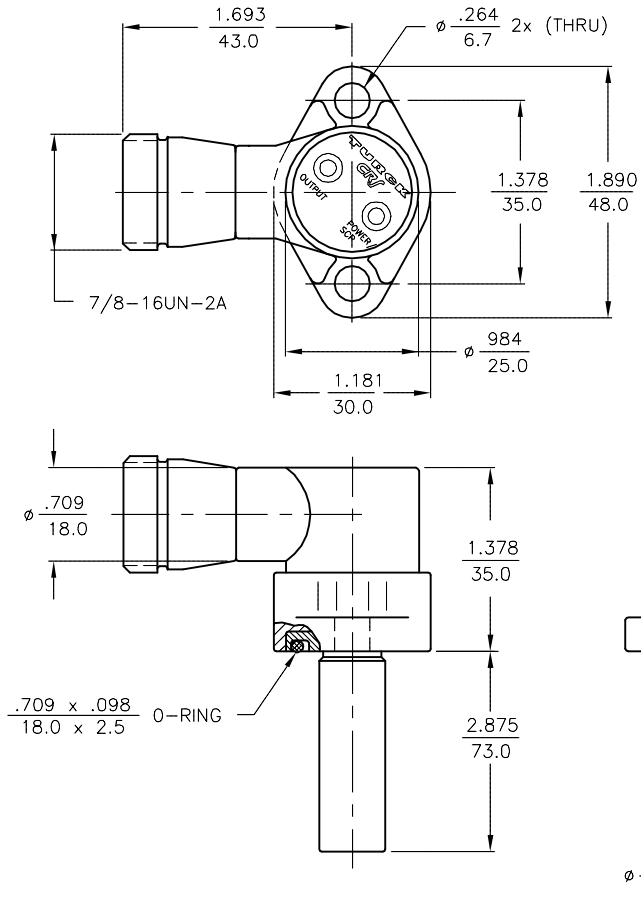


WIRING DIAGRAM



SHORT-CIRCUIT AND OVERLOAD PROTECTED



SPECIFICATIONS

OPERATING VOLTAGE	20-250 VAC/10-300 VDC
LINE FREQUENCY	≥ 50 - ≤ 60 Hz
HYSTERESIS (DIFFERENTIAL TRAVEL)	3-15% (5% TYPICAL)
VOLTAGE DROP ACROSS CONDUCTING SENSOR	≤ 6.0 V at 400 mA
OUTPUT FUNCTION	NORMALLY OPEN 2-WIRE AC/DC SELF-CONTAINED
SHORT-CIRCUIT PROTECTED	YES
TRIGGER CURRENT FOR OVERLOAD PROTECTION	≥ 500 mA
CONTINUOUS LOAD CURRENT	≤ 400mA AC/≤ 300mA DC
LEAKAGE (OFF-STATE) CURRENT	≤ 1.7 mA
MINIMUM LOAD CURRENT	≥ 3.0 mA
INRUSH CURRENT	≤ 3 A (≤ 20 ms/5Hz)
POWER-ON EFFECT PROTECTION	INCORPORATED
PROTECTION AGAINST TRANSIENTS	< 20 kV < 1 ms < 0.5 J
OPERATING TEMPERATURE	-25°C to +70°C (-13°F to +158°F)
ENCLOSURE	MEETS NEMA 1, 3, 4, 6, 13 AND IEC IP67
SHOCK	30 g, 11 ms
VIBRATION	10 Hz to 55 Hz, 1 mm AMPLITUDE (IN ALL 3 PLANES)
LED FUNCTION	GREEN: POWER ON GREEN FLASHING: SHORT-CIRCUIT OR OVERLOAD PROTECTION RED: OUTPUT ENERGIZED
SENSING RANGE	2 mm = .079" (NOMINAL)
SWITCHING FREQUENCY	20 Hz
REPEATABILITY	≤ 2%
OPERATING PRESSURE	1500 PSI (MAX. APPLIED 3000 PSI)
SHIELDED	YES
RESPONSE TIME	15 ms MAX.
COLOR CODE	ORANGE

NOTES:

- 1 "/S34" DESIGNATES WELD FIELD IMMUNITY. SENSOR IS SUITABLE FOR USE ON RESISTANCE WELDING MACHINES.
2. ROTATION CAPABILITY OF THE CRS SWITCH IS 360°.

SOURCE DRAWING - FOR REFERENCE ONLY

RELATED DOCUMENTS 1. 2. 3. 4.	3RD ANGLE PROJECTION 	THIS DRAWING IS CONFIDENTIAL AND THE PROPERTY OF TURCK INC. USE OF THIS DOCUMENT WITHOUT WRITTEN PERMISSION IS PROHIBITED.		3000 CAMPUS DRIVE MINNEAPOLIS, MN 55441 1-800-544-7769 (763) 553-7300 (763) 553-0708 fax turck.com	
	MATERIAL	DRFT SMW	DATE 12/10/86	DESCRIPTION BI 2-CRS730-ADZ30X2-B1131/S34	
FINISH BLACK ZINC	ALL DIMENSIONS DISPLAYED ON THIS DRAWING ARE FOR REFERENCE ONLY	APVD	SCALE NONE	IDENTIFICATION NO. T4273293	
		UNIT OF MEASUREMENT INCH [MILLIMETER]		REV Y	
Y UPDATED ELECTRICAL SPECS PER ECO	TV 12/01/15	52387	DO NOT SCALE THIS DRAWING		FILE: T4273293
REV DESCRIPTION	BY	DATE	ECO NO.	SHEET 1 OF 1	