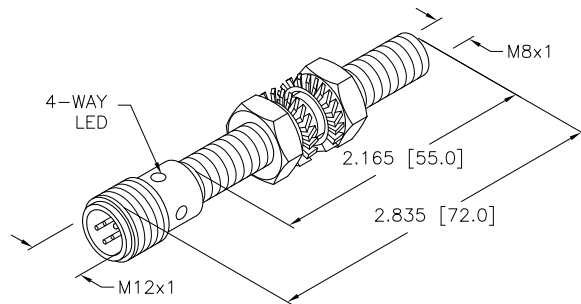


SPECIFICATIONS	
OPERATING VOLTAGE	10-30 VDC
RIPPLE	≤10%
DIFFERENTIAL TRAVEL (HYSTERESIS)	1-15% (5% TYPICAL)
VOLTAGE DROP ACROSS CONDUCTING SENSOR	≤1.8 V at 150 mA
OUTPUT FUNCTION	NORMALLY OPEN 3-WIRE DC SELF-CONTAINED
TTL COMPATIBLE	NO
SHORT-CIRCUIT PROTECTED	YES
TRIGGER CURRENT FOR OVERLOAD PROTECTION	≥170 mA
CONTINUOUS LOAD CURRENT	≤150 mA
LEAKAGE (OFF-STATE) CURRENT	<10 μA
NO-LOAD CURRENT	5.5-9.5 mA
TIME DELAY BEFORE AVAILABILITY	≤8 ms
POWER-ON EFFECT PROTECTION	INCORPORATED
REVERSE POLARITY PROTECTION	INCORPORATED
WIRE-BREAK PROTECTION	INCORPORATED
PROTECTION AGAINST TRANSIENTS	1 kV, 0.1 ms, 1kΩ
OPERATING TEMPERATURE	-25°C to +70°C (-13°F to +158°F)
ENCLOSURE	MEETS NEMA 1, 3, 4, 6, 13 AND IEC IP67
SHOCK	30 g, 11 ms
VIBRATION	55 Hz, 1 mm AMPLITUDE (IN ALL 3 PLANES)
LED FUNCTION	YELLOW: OUTPUT ENERGIZED
RATED OPERATING DISTANCE(S _n)	2 mm = .079" (NOMINAL)
SWITCHING FREQUENCY	3000 Hz
REPEATABILITY	≤2% OF RATED OPERATING DISTANCE
SHIELDED	YES
MATING PLUGS/CABLES	4-PIN "EUROFAST" CONSTRUCTION



SOURCE DRAWING - FOR REFERENCE ONLY

RELATED DOCUMENTS		3RD ANGLE PROJECTION		THIS DRAWING IS PROPERTY OF TURCK INC. USE OF THIS DOCUMENT WITHOUT WRITTEN PERMISSION IS PROHIBITED.		TURCK INC High Technology Sensors and Automation Controls 3000 CAMPUS DRIVE MINNEAPOLIS, MN 55441 1-800-544-7769 (763) 553-7300 (763) 553-0708 fax turck.com	
1.			ALL DIMENSIONS DISPLAYED ON THIS DRAWING ARE FOR REFERENCE ONLY	DRFT	GMB	DATE	01/16/89
2.				DSGN		SCALE	1=2.0
3.				UNIT OF MEASUREMENT		DESCRIPTION	
4.				INCH [MILLIMETER]		Bi 2-G08-AN6X-H1341	
MATERIAL		STAINLESS STEEL BARREL		IDENTIFICATION NO.		S4602600	
FINISH		CHROME PLATED BRASS CONNECTOR		CONTACT TURCK FOR MORE INFORMATION		REV	
D		UPDATE MATERIAL, NEW FORMAT		DO NOT SCALE THIS DRAWING		D	
REV	DESCRIPTION	BY	DATE	ECO NO.	FILE: S4602600	SHEET 1 OF 1	